

## Electronic housing - UM108-SEFE/R-A73 - 2959719


Please be informed that the data shown in this PDF Document is generated from our Online Catalog. Please find the complete data in the user's documentation. Our General Terms of Use for Downloads are valid (<http://phoenixcontact.com/download>)



Side element, with foot, tall version, right-hand, for 73 mm wide U-shaped cover.



### Key Commercial Data

Packing unit	1 pc
Minimum order quantity	10 pc
GTIN	 4 017918 086350
Weight per Piece (excluding packing)	18.46 g
Custom tariff number	85389099
Country of origin	Poland

### Technical data

#### General

Housing type	Panel mounting base
Housing material	PA
Color	green

#### Technical data

Flammability rating according to UL 94	V0
--	----

#### Standards and Regulations

Flammability rating according to UL 94	V0
--	----

# Electronic housing - UM108-SEFE/R-A73 - 2959719

## Classifications

### eCl@ss

eCl@ss 4.0	27180401
eCl@ss 4.1	27180401
eCl@ss 5.0	27180506
eCl@ss 5.1	27180506
eCl@ss 6.0	27180802
eCl@ss 7.0	27182701
eCl@ss 8.0	27182701
eCl@ss 9.0	27182701

### ETIM

ETIM 2.0	EC001031
ETIM 3.0	EC001031
ETIM 4.0	EC001031
ETIM 5.0	EC002779

### UNSPSC

UNSPSC 6.01	31261501
UNSPSC 7.0901	31261501
UNSPSC 11	31261501
UNSPSC 12.01	31261501
UNSPSC 13.2	31261501

## Approvals

### Approvals

---

Approvals

UL Recognized

---

Ex Approvals

---

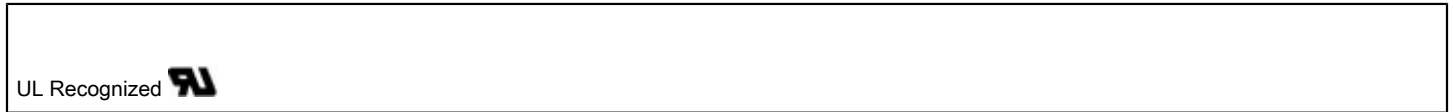
Approvals submitted

---

Approval details

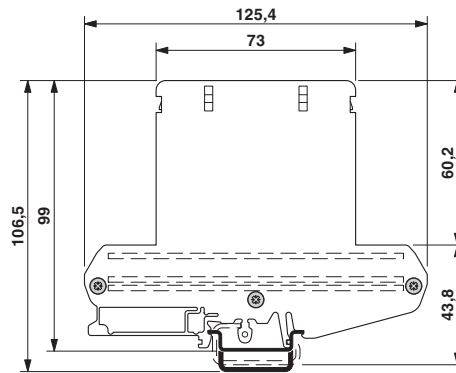
# Electronic housing - UM108-SEFE/R-A73 - 2959719

## Approvals



## Drawings

Dimensional drawing



# Mouser Electronics

Authorized Distributor

Click to View Pricing, Inventory, Delivery & Lifecycle Information:

[Phoenix Contact:](#)

[2959719](#)