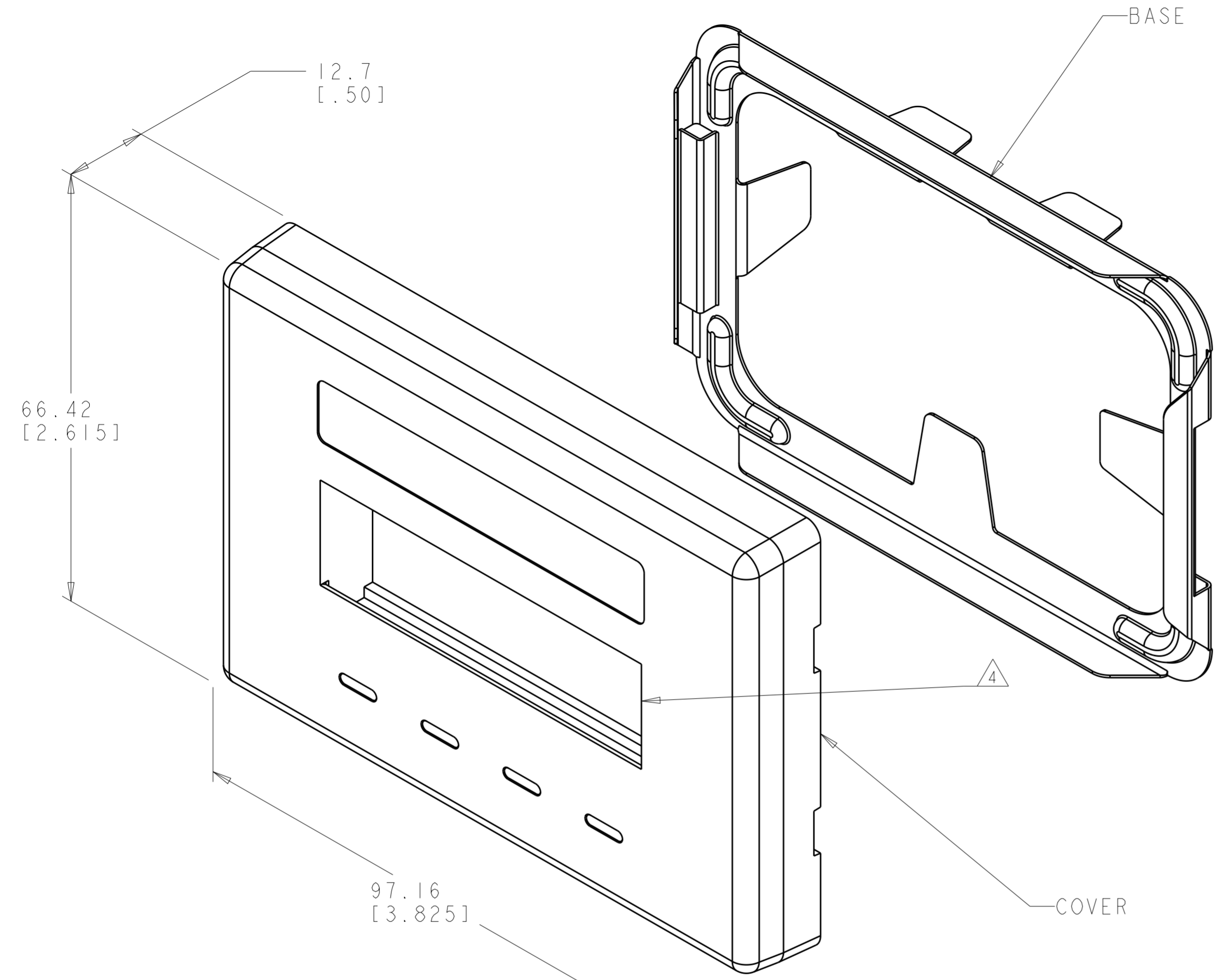
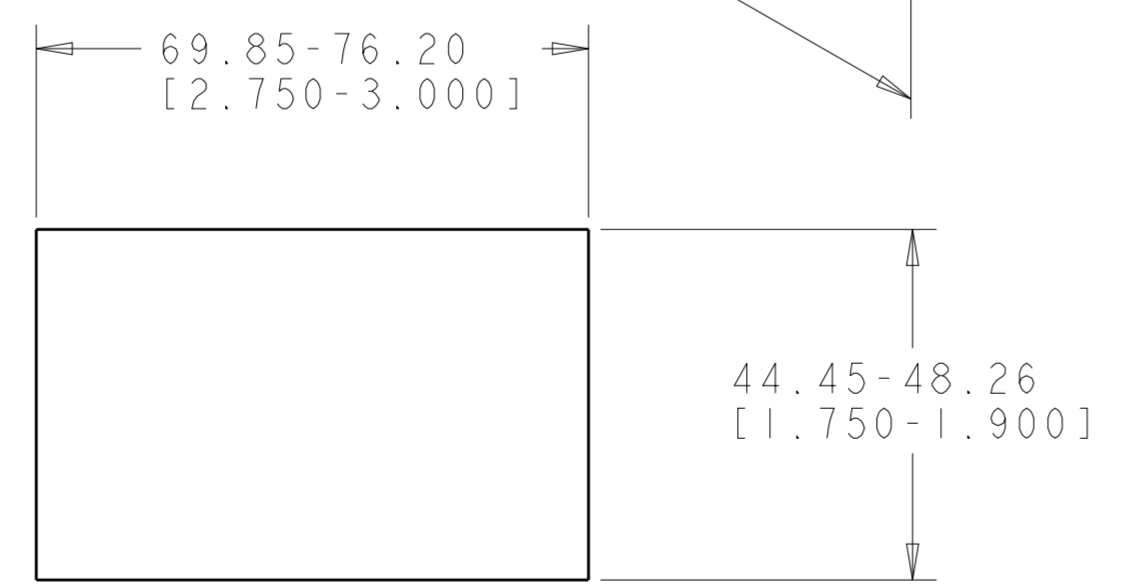


THIS DRAWING IS UNPUBLISHED. RELEASED FOR PUBLICATION 20  
 © COPYRIGHT 20 BY - ALL RIGHTS RESERVED.

REVISIONS				
P	LTR	DESCRIPTION	DATE	APVD
D		REV ECO-13-020024	20DEC2013	GG RA



- 1. MATERIAL: COVER - ABS MOLDING COMPOUND, SEE TABLE FOR COLOR.  
BASE - GALVANIZED CARBON STEEL.
- 2. KIT SHIPPED UNASSEMBLED.
- 3. DIMENSIONS SHOWN ARE NOMINAL UNLESS OTHERWISE SPECIFIED.
- 4. COVER WILL ACCEPT A COMBINATION OF FOUR SL TOOLLESS JACKS, MT-RJ FIBER OPTIC JACKS OR MULTIMEDIA INSERTS.
- 5. REFER TO INSTRUCTION SHEET 408-8397 FOR INSTALLATION PROCEDURES.



SUGGESTED PANEL CUTOUT

ALPINE WHITE	I-1375006-3
NEMA GRAY	1375006-4
WHITE	1375006-3
BLACK	1375006-2
LT ALMOND	1375006-1
COLOR	PART NUMBER

THIS DRAWING IS A CONTROLLED DOCUMENT.		DWN L HALL 23AUG2000	TE Connectivity	
DIMENSIONS: mm [INCHES]		CHK G BOWMAN 23AUG2000		
TOLERANCES UNLESS OTHERWISE SPECIFIED:		APVD G BOWMAN 23AUG2000		
0 PLC ±	1 PLC ±	PRODUCT SPEC	NAME ASSEMBLY, FURNITURE OUTLET, LARGE BASE	
2 PLC ±	3 PLC ±	APPLICATION SPEC	SIZE A2	CAGE CODE -
4 PLC ±	ANGLES ±	408-8397	DRAWING NO C-1375006	RESTRICTED TO -
FINISH -	FINISH -	WEIGHT -	SCALE 2:1	SHEET 1 OF 1
Customer Drawing			REV D	

# Mouser Electronics

Authorized Distributor

Click to View Pricing, Inventory, Delivery & Lifecycle Information:

[TE Connectivity:](#)

[1375006-3](#)