



SERIES 1010 - OPEN SNAP-ACTION SWITCHES

TO 6 (2) A 250 V AC



PRODUCT FEATURES

- Powerful snap-action switch with C-spring contact system according to design DIN 41635C
- High switching reliability due to large contact forces directly after switching
- Small size, large travel and difference travel
- Short bounce time
- Contact system insensitive to vibrations

ON REQUEST

- Extended overtravel
- Special base forms
- Special actuating cams
- In addition to a wide range of normally closed contacts, normally open contacts and changeover switches and spring sets without snap function (basic type 1017) are available

Design	DIN 41635 C
Contact resistance (new condition)	< 100 mOhm (1 A 12 V DC)
Insulation resistance (new condition)	> 100 MOhm (500 V DC)
Proof tracking	250 PTI
Protection type	IP 00
Ambient temperature	-20 °C ... +85 °C ... 120 °C (basic type 1014)
Flammability	UL 94 V-2 or UL 94 HB
Glow wire test temperature	850 °C
Material actuator housing terminals	spring steel / PA glass fiber-reinforced / PA / metal (only 1017.0153) PA glass fiber-reinforced / PA silver plated
Bounce time	< 5 ms
Approval marks	
Suitable for appliances of protection class II under compliance with the installation conditions required on the equipment side	

ROCKER SWITCHES
 PUSHBUTTON SWITCHES
 TOGGLE SWITCHES
 SLIDE SWITCHES
 ROTARY SWITCHES
 FOOT SWITCHES
 TACT AND KEY SWITCHES
 SNAP-ACTION SWITCHES
 MICRO-SIGNAL SWITCHES
 SENSORS
 ECO
 PUSH IN DRIVE



SERIES 1010 - OPEN SNAP-ACTION SWITCHES

TO 6 (2) A 250 V AC

	6 (2) A 250 V AC 25E3	2 (0.5) A 250 V AC 20E4	2 (0.5) A 250 V AC 5E4	2 A 12 V DC 10E4	1 A 24 V DC 10E4	0.5 A 15 V 5E4	0.1 A 24 V DC 5E4	30 mA 12 V 5E4	Terminal type	Terminal description	Contact material	Operating force (N)	Operating position (OP) (mm)	Difference travel max. (mm)	Free position (FP) max. (mm)	Permissible total travel position (TP) (mm)	Actuator description	Mechanical life endurance	Miscellaneous	Stock version
Normally closed contact (SPNC)																				
1010.7601		o								9.5 long	Ag	0.25 - 0.6	2.2 ±0.6	0.9	0.4	3.5		1E6		
Normally open contact (SPNO)																				
1010.7401		o								9.5 long	Ag	0.25 - 0.6	2.2 ±0.6	0.9	0.4	3.5		1E6		
1010.7402		o								9.5 long	Ag	0.45 - 1.05	2.2 ±0.6	0.9	0.4	3.5		1E6		
1017.0801						o				9.2 long	CuBe silver plated	0.15 - 0.5	2.2 ±0.6		0	3.2		1E6	without approval mark	o
1017.5701						o					CuSn silver plated	0.15 - 0.5	1.4 ±0.6		3.6	0.4		1E6	without approval mark	
1017.0851							o			9.2 long	Au	0.15 - 0.5	2.2 ±0.6		0	3.2		1E6	without approval mark	
Changeover switch (SPDT momentary)																				
1010.9705	o	o									Au	0.45 - 1.05	3.8 ±0.6	0.9	6.6	2		10E4		
1010.9752	o	o									Ag	0.45 - 1.05	6.9 ±0.6	0.9	9.7	5.1		10E4		
1010.9802	o	o									Ag	0.45 - 1.05	3.8 ±0.6	0.9	6.6	2		10E4		
1010.9852	o	o									Ag	0.45 - 1.05	6.9 ±0.6	0.9	9.7	5.1		10E4		o
1010.0101		o								6.5 long	Ag	0.25 - 0.6	2.2 ±0.6	0.9	0.4	3.5		1E6	without approval mark	o
1010.3001		o								6.5 long	Ag	0.25 - 0.6	0.9 ±0.6	0.9	3.6	0.2		1E6		
1010.4402		o								straight	Ag	0.25 - 0.6	1.3 ±0.6	0.9	4.1	0		1E6	small base without approval mark	
1010.0304		o								9.5 long	Ag	0.25 - 0.6	2.2 ±0.6	0.9	0.4	3.5		1E6		
1010.2003		o								9.5 long	Au	0.45 - 1.05	2.2 ±0.6	0.9	0.4	3.5		1E6		
1010.4103		o								straight	Au	0.25 - 0.6	2.2 ±0.6	0.9	0.4	3.5		1E6	without approval mark	o
1010.6002		o								standing	Au	0.45 - 1.05	11.2 ±0.6	0.9	13.8	9.9		1E6		o
1010.6003		o								standing	Ag	0.25 - 0.6	11.2 ±0.6	0.9	13.8	9.9		1E6		o
1010.7102		o								6.5 long	Ag	0.45 - 1.05	2.2 ±0.6	0.9	0.4	3.5		1E6	without approval mark	
1010.7172		o								6.5 long	Au	0.45 - 1.05	0.9 ±0.6	0.9	3.6	0.2		1E6	without approval mark	
1010.7352		o								9.5 long	Ag	0.45 - 1.05	0.9 ±0.6	0.9	3.6	0.2		1E6		
1010.8102		o								straight	Ag	0.45 - 1.05	2.2 ±0.6	0.9	0.4	3.5		1E6	without approval mark	
1014.6151			o	o						standing	Au	0.3 - 0.8	6.6 ±0.5	0.6	8.6	5.3		50E4	without approval mark	
Changeover switch with OFF position in the center (SPDT momentary - Center OFF)																				
1017.0153						o				9.2 long	Au		≤ 2.1		0	0.5		1E6	without approval mark operating range max. 4.2	

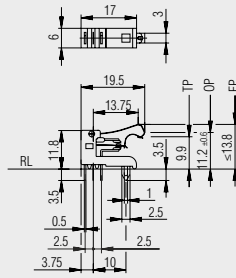


SERIES 1010 - OPEN SNAP-ACTION SWITCHES

TO 6 (2) A 250 V AC



Basic type 1010

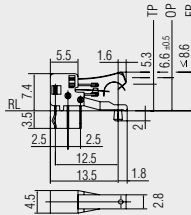


PCB terminal vertical:

A switch actuation vertical to the PCB can be implemented in a confined space with this version.



Basic type 1014



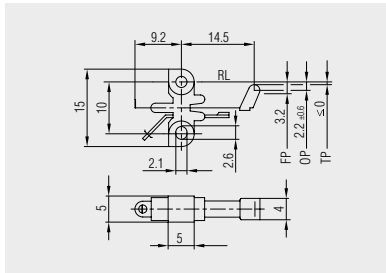
Vertical PCB terminal:

According to the same functional principle as basic type 1010, but in smaller size.

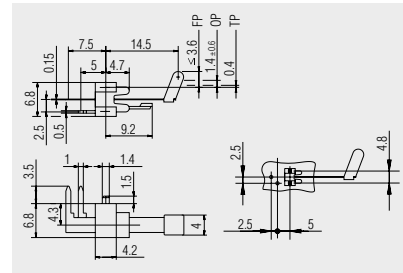
This basic type is designed for low voltages and has no approval mark.



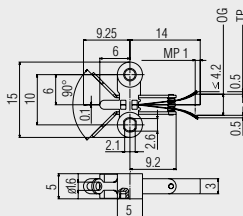
Basic type 1017 without snap function



Solder terminal normally open contact version



PCB terminal left angled



Changeover switch with OFF position in the center

ROCKERSWITCHES

PUSHBUTTON SWITCHES

TOGGLE SWITCHES

SLIDE SWITCHES

ROTARY SWITCHES

FOOT SWITCHES

TACT AND KEY SWITCHES

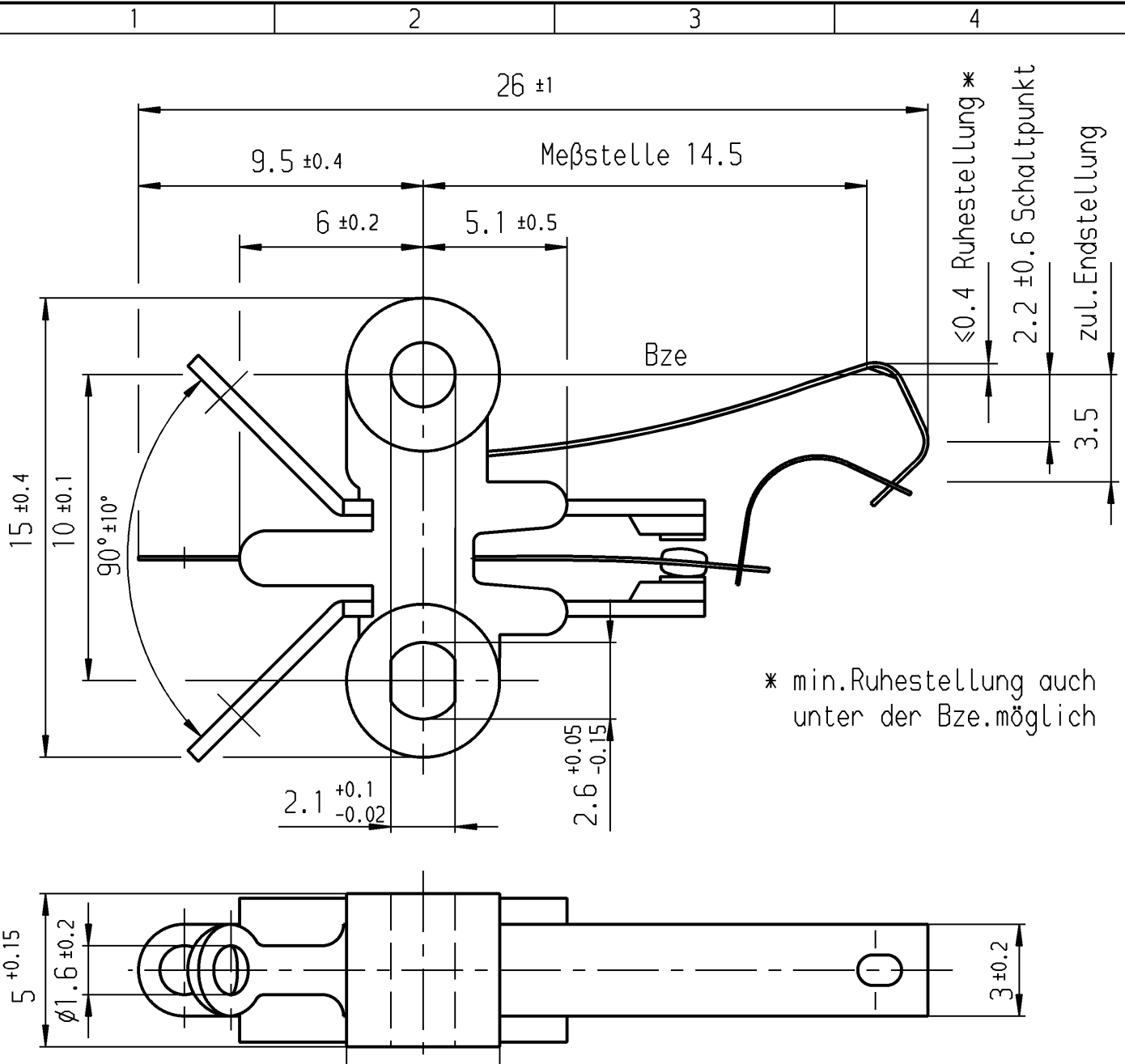
SNAP-ACTION SWITCHES

MICRO-SIGNAL SWITCHES

SENSORS

ECO

PUSH'N'DRIVE



* min. Ruhestellung auch unter der Bze.möglich

Aufschrift

© 1010 µ
 G01
 Auf Verpackung
 MARQUARDT
 1010.0304 µ
 G01 entspricht:
 2(0.5)/250~50E3 T85

Wechsler 1-polig
 Schalt-Betätigungskraft 0.25 bis 0.6 N
 Differenzweg ≤ 0.9 mm



Diese Unterlage ist geistiges Eigentum der Marquardt GmbH. Schutzvermerk nach DIN 34 beachten. Copyright reserved.

Für Form und Lage FOR SHAPE AND LOC.		ALLgemeintoleranzen UNTOLERANCED DIMENSIONS		Pause COPY		Blatt SHEET		Typ Zeichn./DRAWING NO.		Index	
Für Winkel FOR ANGLE ± 2°		PROJECTION		Abmasse und Nennmassbereiche Angaben in mm		Original DIN A4		Maßstab SCALE 5:1		K 1010.0304 b	
ALL DIMENSIONS ARE IN MILLIMETRES		Laengen RADII		0 10 20 30 mm		CAD Medusa Z		Schnappschalter		MARQUARDT	
c 29167 26.10.00 pfu		g f		gez./DRAWN BY 26.10.00 pfu		gepr./CHECKED BY		Ersatz für/REPLACEMENT OF		Marquardt GmbH, D-78604 Rietheim-Weilheim	
a 15638 18.01.84 Wa		e d		Z.gL.Nr.vom 17.08.82		14611 17.08.82 que		1010.0304 µ		G01	
Ausg. ISSUE		Änderung REVISION		gez. DRAWN BY		Ausg. ISSUE		Änderung REVISION		gez. DRAWN BY	