

4

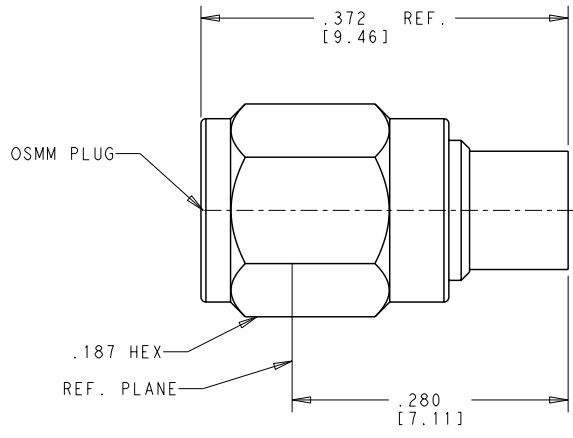
3

2

1

THIS DRAWING IS UNPUBLISHED. RELEASED FOR PUBLICATION 20
 © COPYRIGHT 20 BY - ALL RIGHTS RESERVED.

LOC	DIST	REVISIONS				
P	LTR	DESCRIPTION	DATE	DWN	APVD	
A		INITIAL RELEASE	31MAY2011	RJM3	DHW	
B		REVISED PER ECO-11-017491	31AUG2011	RJM3	DHW	



COMPONENT	MATERIAL	FINISH
HOUSING	100-222-2, STAINLESS STEEL	GOLD PLATE PER ASTM B488
DIELECTRIC	100-54, PTFE, NATURAL	N/A
CENTER CONTACT	100-110 BRASS, HALF HARD	GOLD PLATE PER ASTM B488
GASKET	SILICONE RUBBER PER ZZ-R-765	N/A
RETAINING RING	BERYLLIUM COPPER PER ASTM-B-194, ALLOY C17200, CONDITION H	N/A

ELECTRICAL	MECHANICAL	ENVIRONMENTAL
NOM. IMPEDANCE (OHMS) 50 ±1	Mating Characteristics: Insertion (MAX Lbs) 3 Withdrawal (MIN Oz) .5 Force to Engage (In-Lbs MAX) 1.0 & Disengage Center Contact Captivation Axial (Lbs) N/A	TEMP. RATING -65° TO +165°C
Freq. Range (GHz) DC to 45		Vibration MIL-STD-202, Method 204, Condition D
Volt Rating (VRMS MAX) @ Sea Level 190		Shock MIL-STD-202, Method 213 Condition I
VSWR 1.05+.005X F(GHz)		THERMAL SHOCK Method 107, Cond B except High Temp +115°C
Insertion Loss (db Max) .08x SQRT.f(GHz)		Moisture Resistance MIL-STD-202 Method 106
RF Leakage (db MIN) (Interface Only, Fully Mated) -190-f(GHz)		Corrosion - MIL-STD-202, Method 101, Condition B
Corona, 70,000Ft. (VRMS MIN) 150		
Dielectric Withstanding Voltage (VRMS MIN) @ Sea Level 500		
Contact Resistance (Milliohms MAX)		
Center Contact 4.0		
Outer Contact 3.0		
Cable to Housing 1.0		
RF High Potential @ Sea Level (VRMS MIN @ 5MHz) 375		
IR (Megohms MIN) 5000		

THIS DRAWING IS A CONTROLLED DOCUMENT.

DIMENSIONS: INCHES	TOLERANCES UNLESS OTHERWISE SPECIFIED: 0 PLC ±.1 1 PLC ±.1 2 PLC ±.02 3 PLC ±.005 4 PLC ±.0005 ANGLES ±1.0°	DWN 09SEPT2008 D. Wilson CHK 09NOV2009 S. T. Morley APVD 24MAY2011 DHW	 TE Connectivity OSMM STRAIGHT CABLE PLUG DIRECT SOLDER FOR .086 DIA. CABLE
MATERIAL N/A	FINISH -	PRODUCT SPEC - APPLICATION SPEC 408-10450 WEIGHT - CUSTOMER DRAWING	SIZE A3 CAGE CODE 00779 DRAWING NO. C-1996942 RESTRICTED TO - SCALE 10:1 SHEET 1 OF 1 REV B