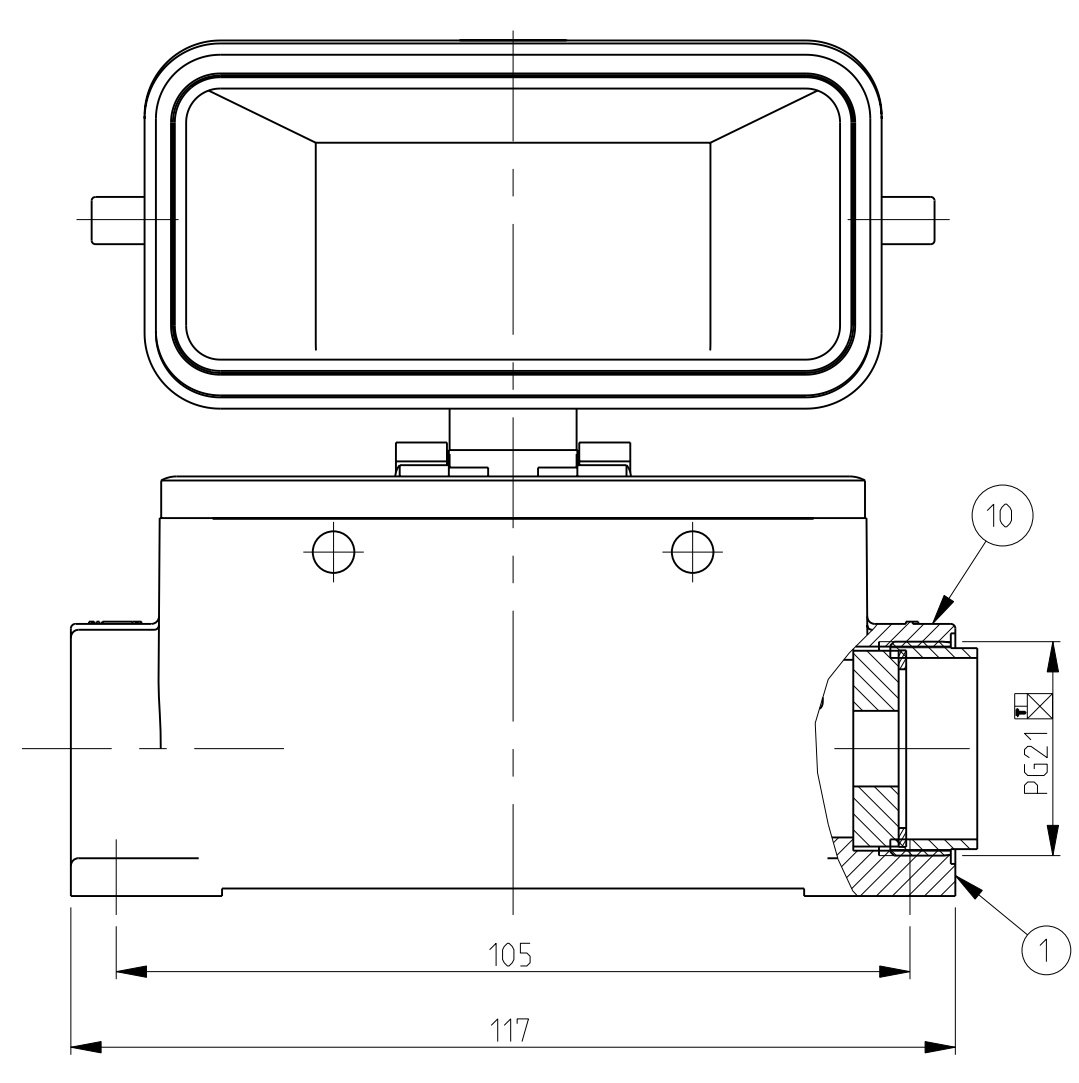
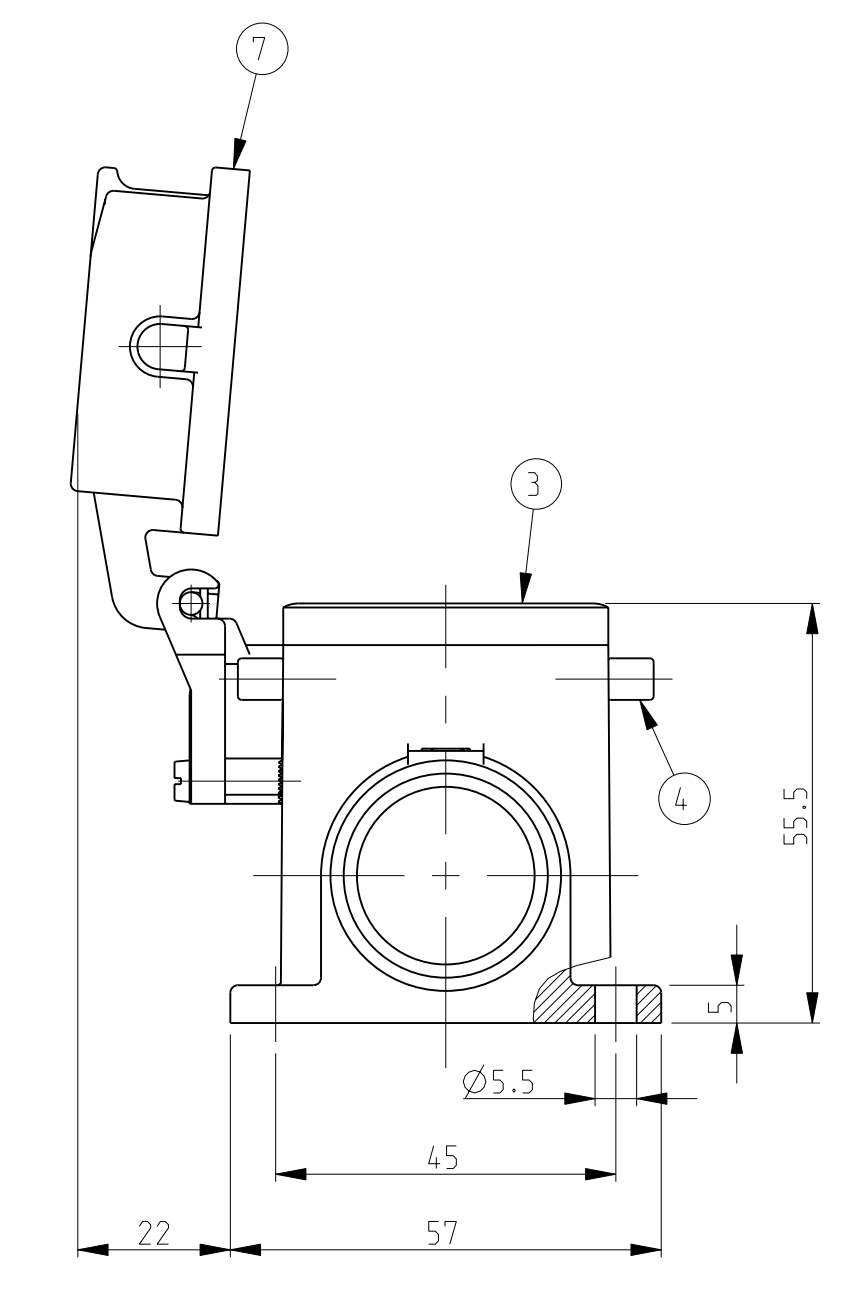


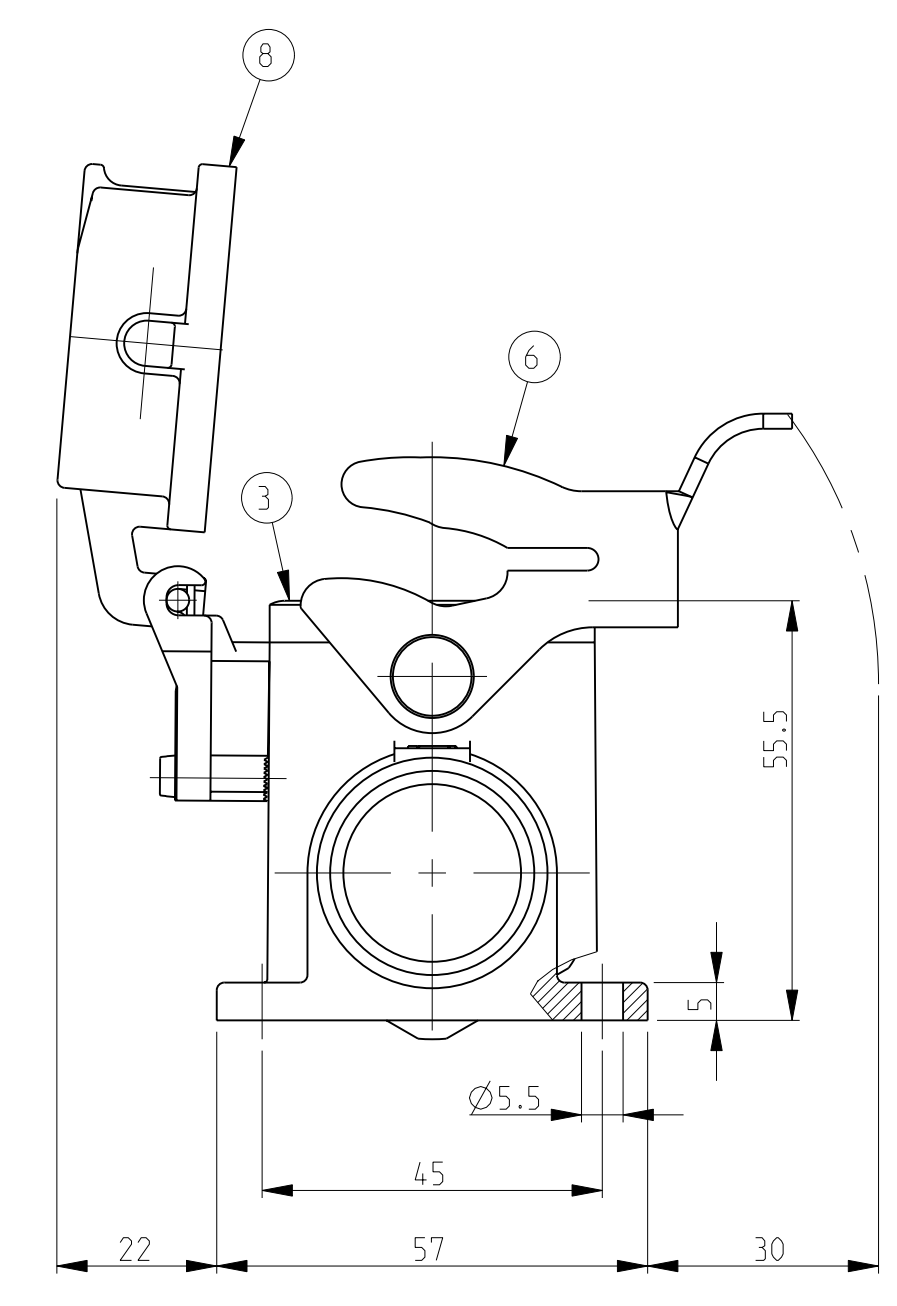
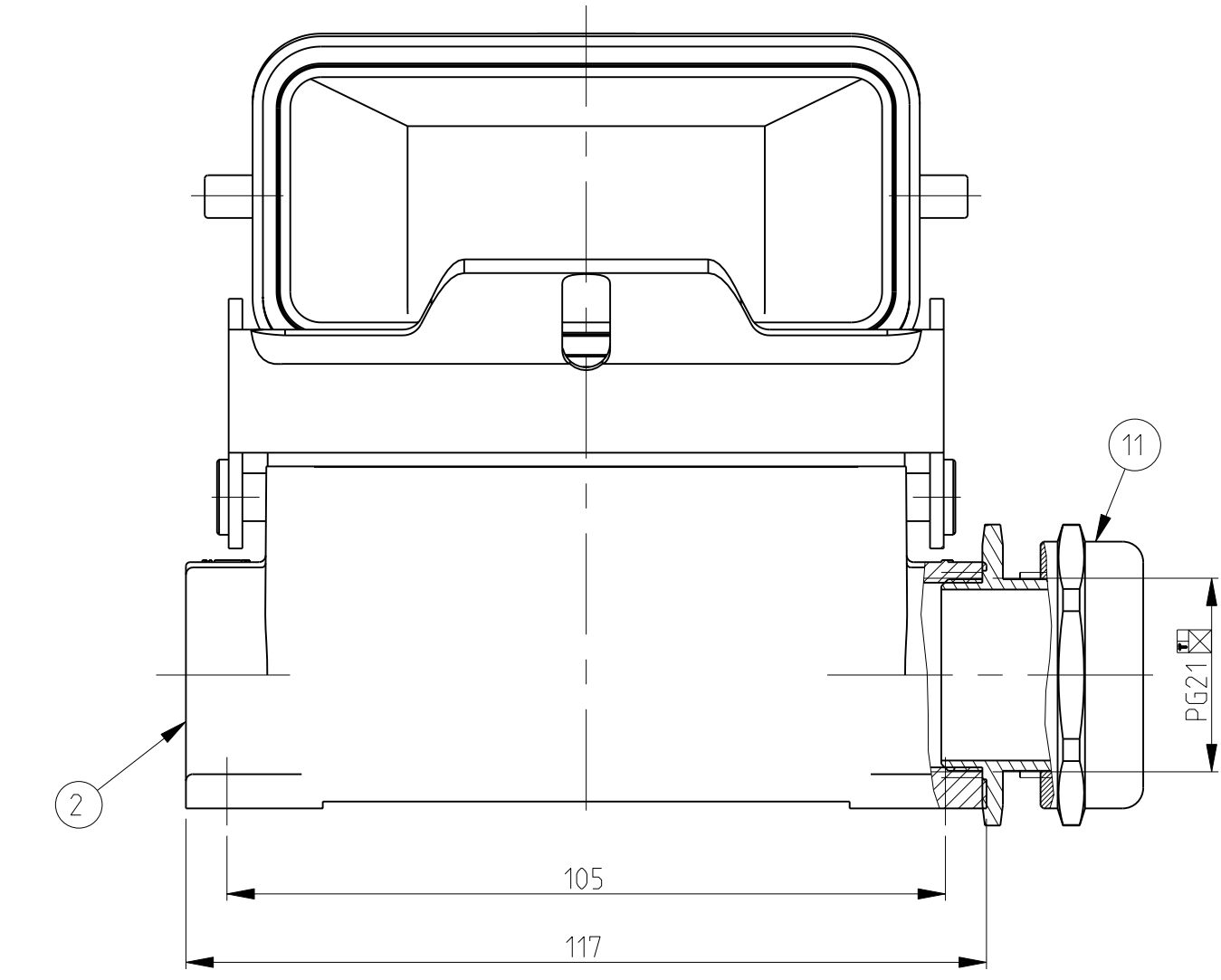
REVISITONS		DATE	BY	APPD
A3	Released as per ECR-08-017827	16.May.2008	SP	TS



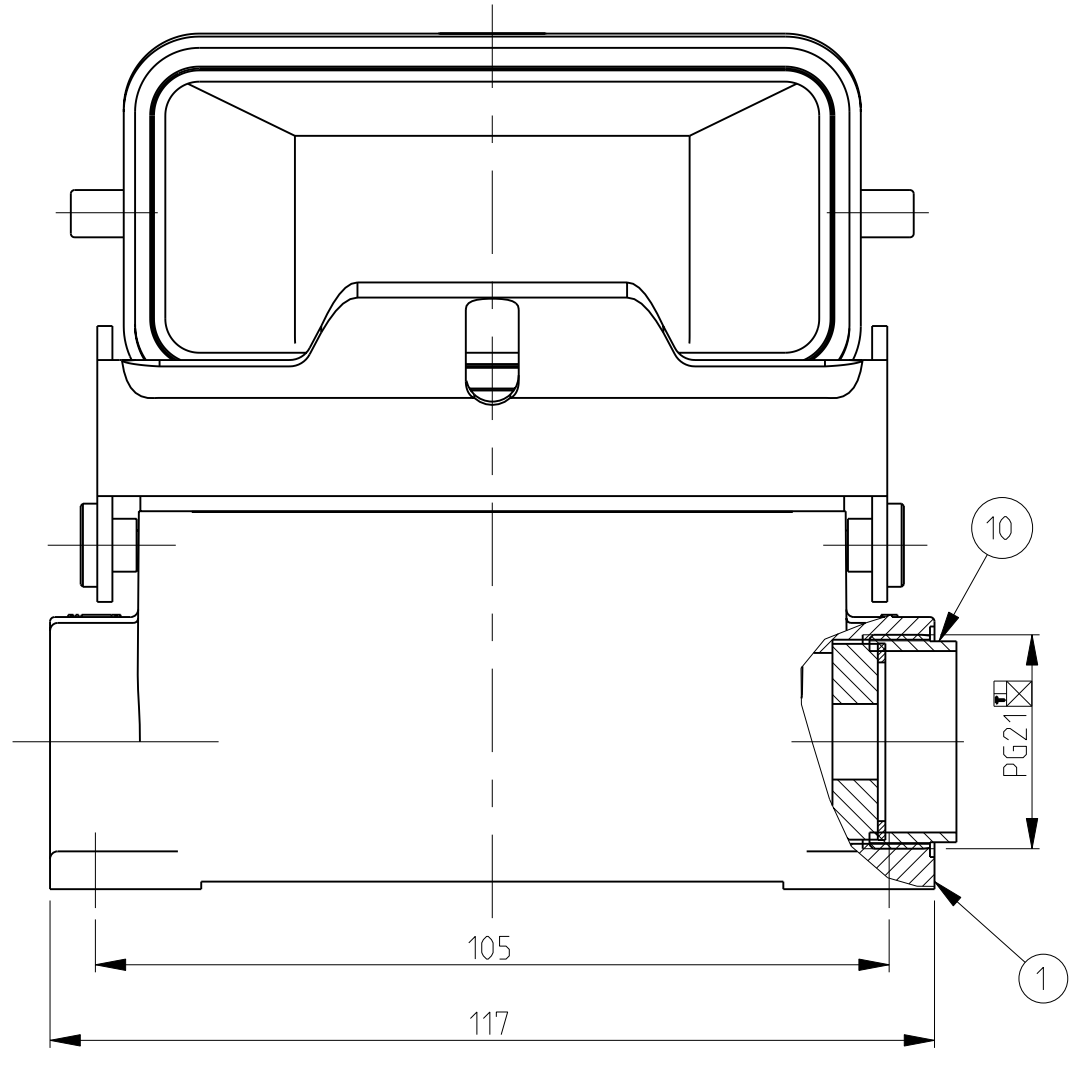
PN 1-6



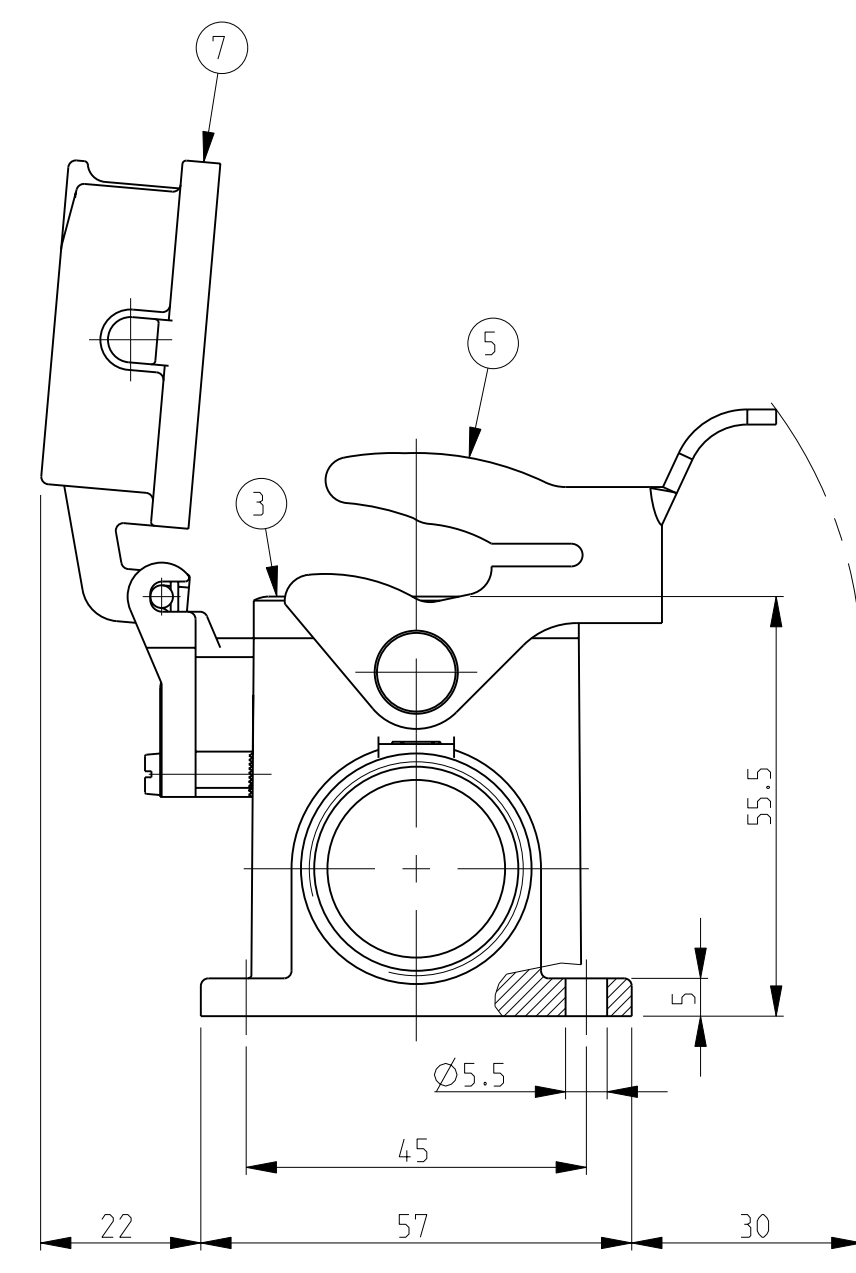
PN 2-2



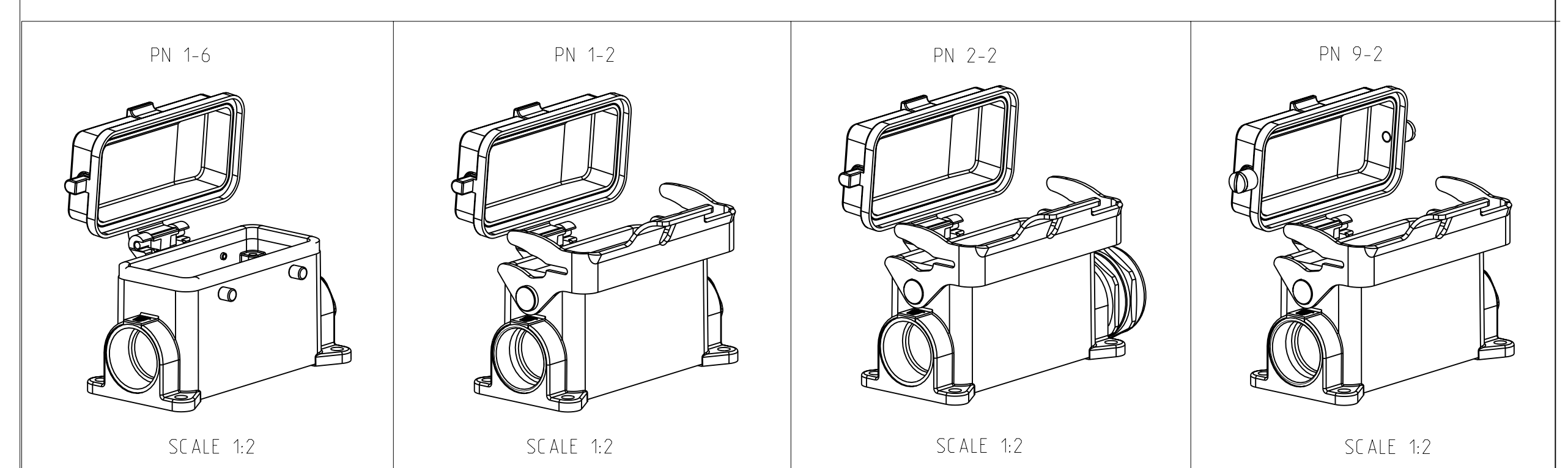
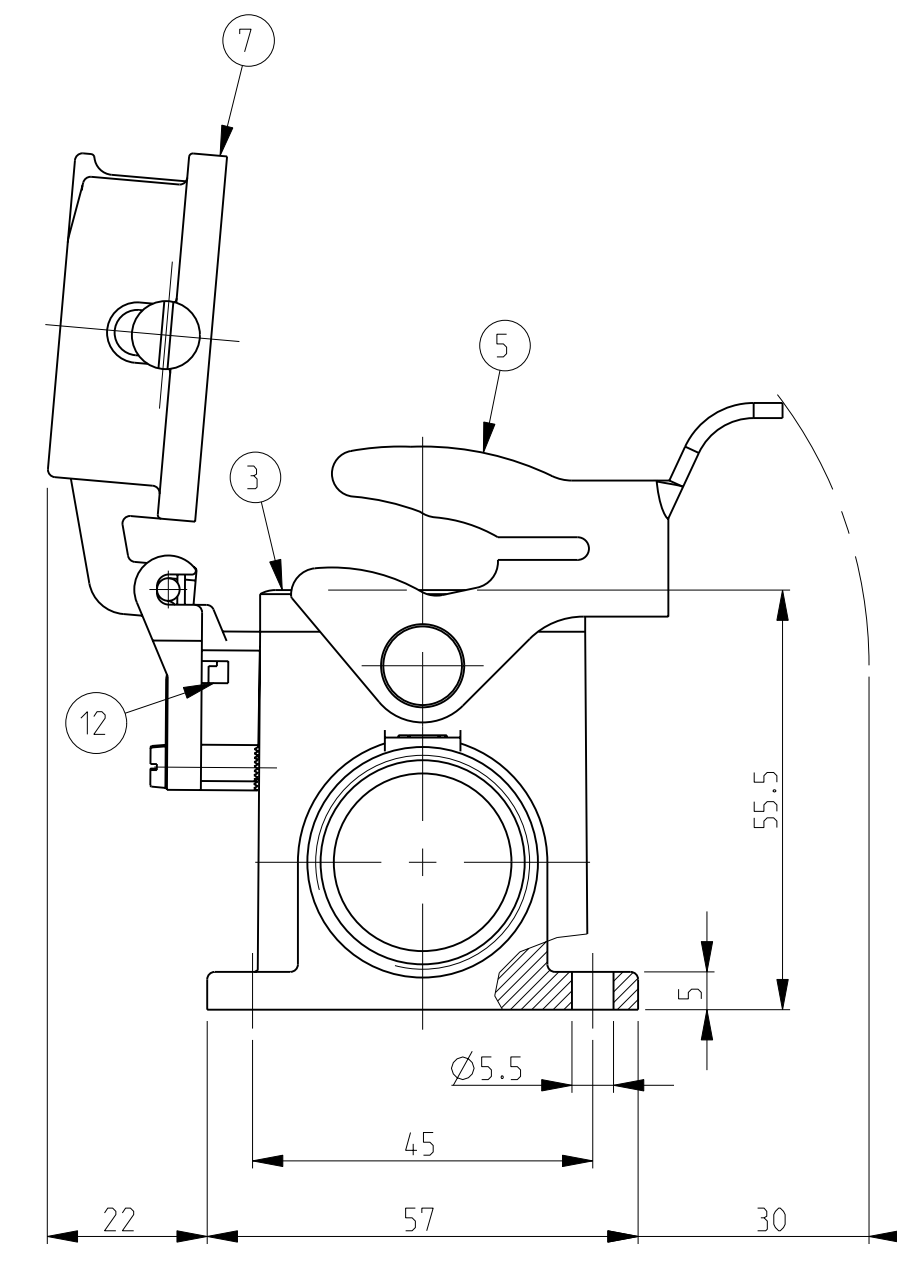
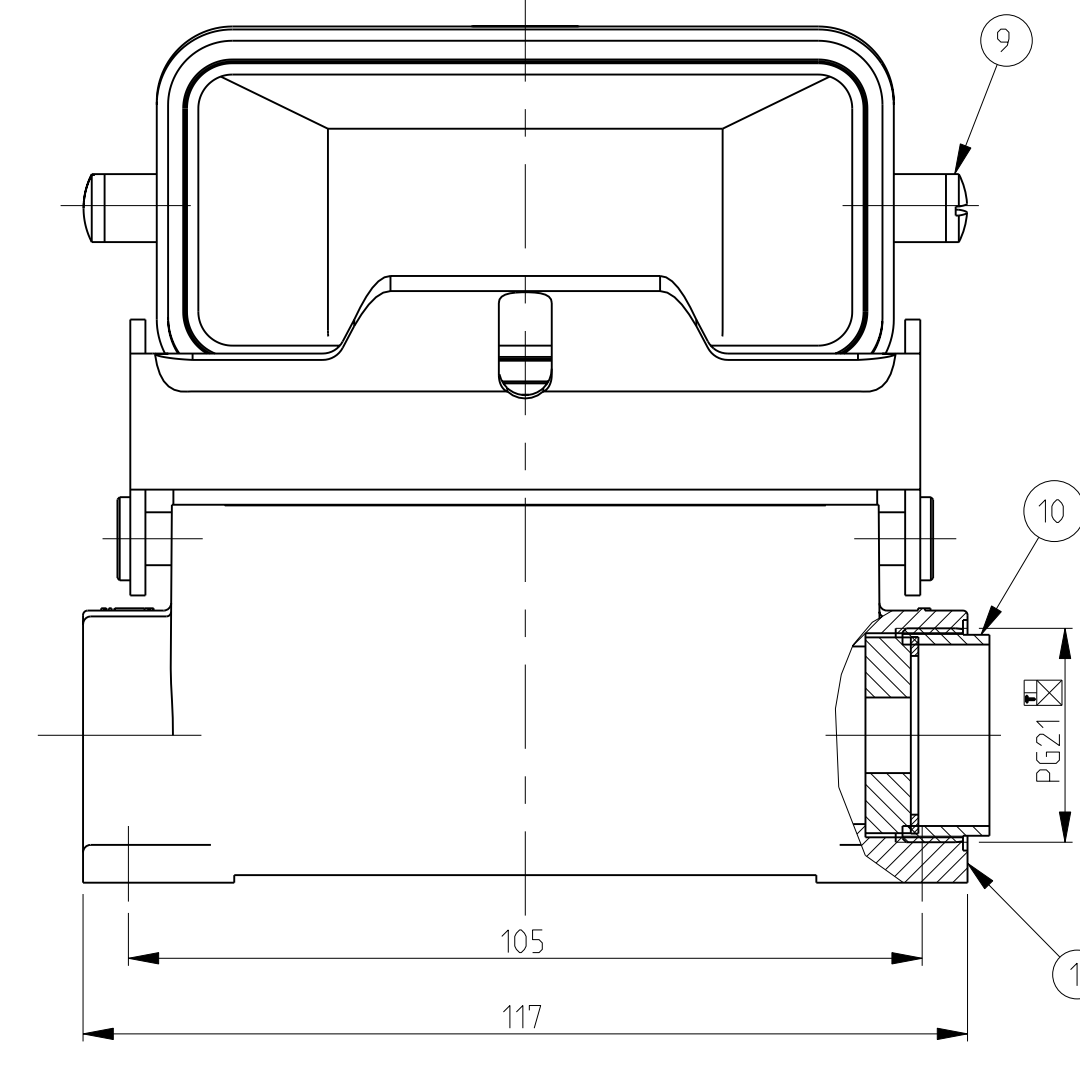
- NOTES.
- 1 Material:Housing:Aluminium Diecasting Alloy  
Seals:Neoprene
  - 2 Surface:Varnish  
-Aluminium Oxide +Varnish Black  
-Grey
  - 3 Varnish on the inside not necessary
  - 4 Packaging  
Quantity 5 Pieces in a box



PN 1-2



PN 9-2



QTY	DESCRIPTION	MATERIAL	SURFACE	COLOR	ITEM NO	REMARKS
1	Screw, Slotted Cheese Head	Steel	Zinc plated	Blue	12	M3x8
1	Gland Filling round	Brass	Nickel plated	Blue	11	PG21
1	Cable filling round	Brass	Nickel plated	Blue	10	PG21
2	LB-Clip Bolt	Steel	Zinc plated	Blue	9	
1	Cover finished product HB-K	Aluminium	Aluminium oxide	Black RAL 9005	8	
1	Cover finished product HB	Aluminium		Grey RAL 7001	7	
1	LB-Side Clip	Stainless steel	Blank	Blue	6	
1	LB-Side Clip	Steel	Zinc plated	Blue	5	
4	VS-Clip bolt	Steel	Zinc plated	Blue	4	
1	Profile seal	Neoprene		Black	3	
1	Surface mounted housing side entry HB-K	Aluminium	Aluminium oxide	Black RAL 9005	2	
1	Surface mounted housing side entry HB	Aluminium		Grey RAL 7001	1	

ORDERING TEXT		CUSTOMER DRAWING	
HB-16-SGD-1.21		SCALE 1:1	
HB-16-SGD-LB-1.21		SHEET 1 OF 1	
HB-K-16-SGD-LB-1.21		REV A3	
HB-16-SGD-LB-1.21			

# Mouser Electronics

Authorized Distributor

Click to View Pricing, Inventory, Delivery & Lifecycle Information:

[TE Connectivity:](#)

[1-1102307-2](#)