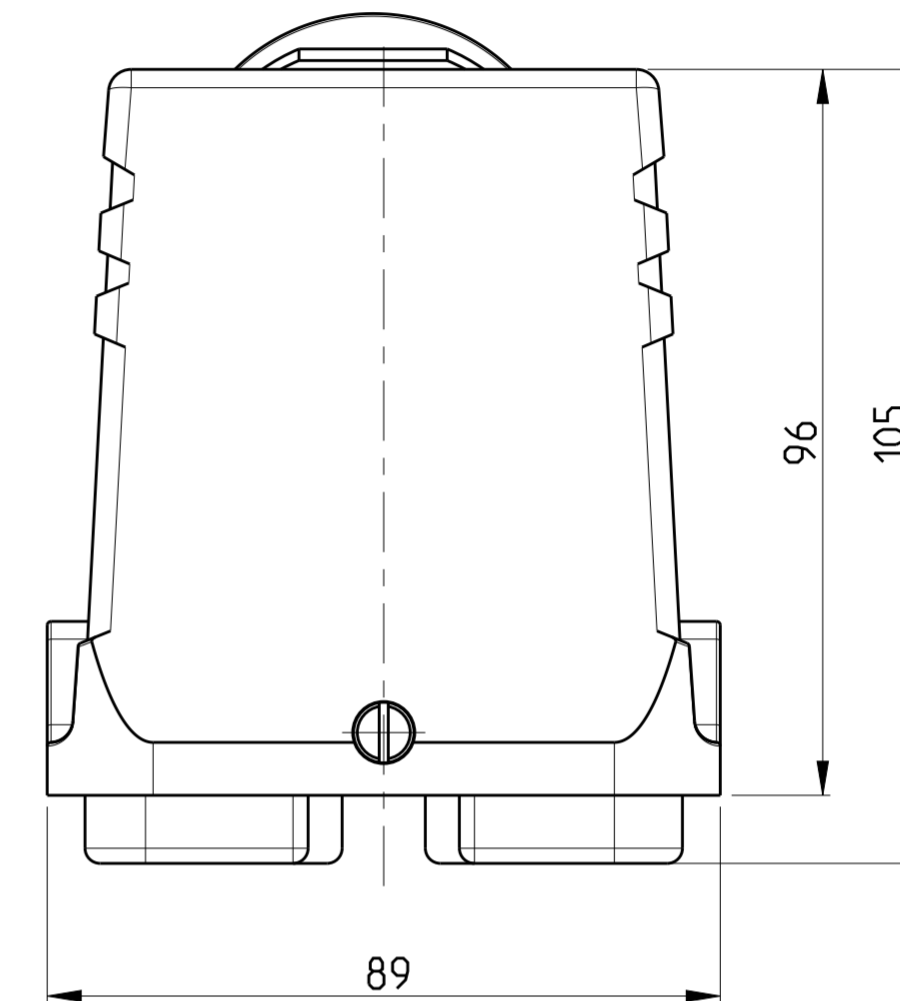
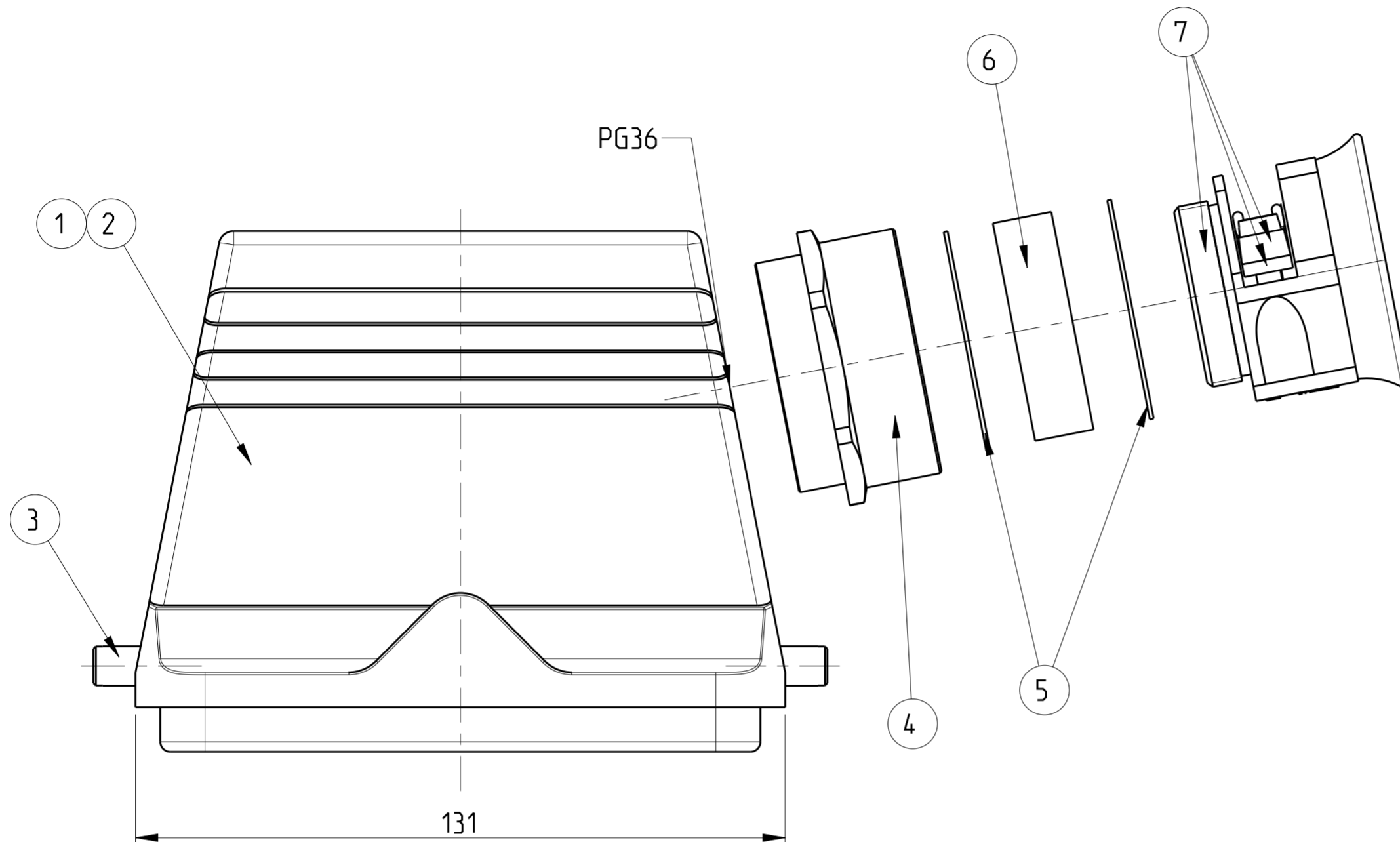


THIS DRAWING IS UNPUBLISHED. RELEASED FOR PUBLICATION 2006  
 © COPYRIGHT 2006 BY - ALL RIGHTS RESERVED.

REVISIONS					
P	LTR	DESCRIPTION	DATE	DWN	APVD
A3		new pro/E drawing ECR-08-022832	05AUG2008	SR	ST
A4		ECR-15-016632	28NOV2016	GCM	MKO



NOTES

- 1 PART SHALL BE FREE AND CLEAN OF BURRS AND OTHER FOREIGN MATERIAL
- 2 PACKAGING: QUANTITY 3 PIECES

OBSOLETE

QTY	DESCRIPTION	MATERIAL	SURFACE	COLOR	ITEM	NOTES
1	TDS-CABLE FITING	ALU		WITHOUT VARNISH	7	PG36
1	CLOSE RING	NEOPRENE		BLACK	6	PG36
2	PRESSING RING	STEEL	ZINC PLATED	BLUE	5	PG36
1	ADAPTOR	BRASS	NICKEL PLATED	BLUE	4	PG36
2	CLIP BOLT	STAINLESS STEEL	ZINC PLATED	BLUE	3	
1	HOOD HB	ALU		GREY	2	NEUTRAL
1	HOOD HB	ALU		GREY	1	
0-1	1-7	DESCRIPTION	MATERIAL	SURFACE	COLOR	ITEM NOTES
HB.48.STS-GR.1.36						
HB.48.ST-GR.1.36.G						

THIS DRAWING IS A CONTROLLED DOCUMENT.		DWN R.SCHNEIDER 05AUG2008	TE Connectivity	
DIMENSIONS: mm		CHK T.SCHNURPFEL 05AUG2008		
TOLERANCES UNLESS OTHERWISE SPECIFIED:		APVD -	NAME HOOD HB.48.STS-GR.1.36 HOOD	
0 PLC ±		PRODUCT SPEC -	SIZE A2	
1 PLC ±		APPLICATION SPEC -	CAGE CODE 00779	
2 PLC ±		WEIGHT -	DRAWING NO C-1102374	
3 PLC ±			RESTRICTED TO -	
4 PLC ±			SCALE 1:1	
ANGLES ±°			SHEET 1 OF 1	
FINISH			REV A4	
MATERIAL			CUSTOMER DRAWING	

# Mouser Electronics

Authorized Distributor

Click to View Pricing, Inventory, Delivery & Lifecycle Information:

[TE Connectivity:](#)

[1-1102374-7](#)