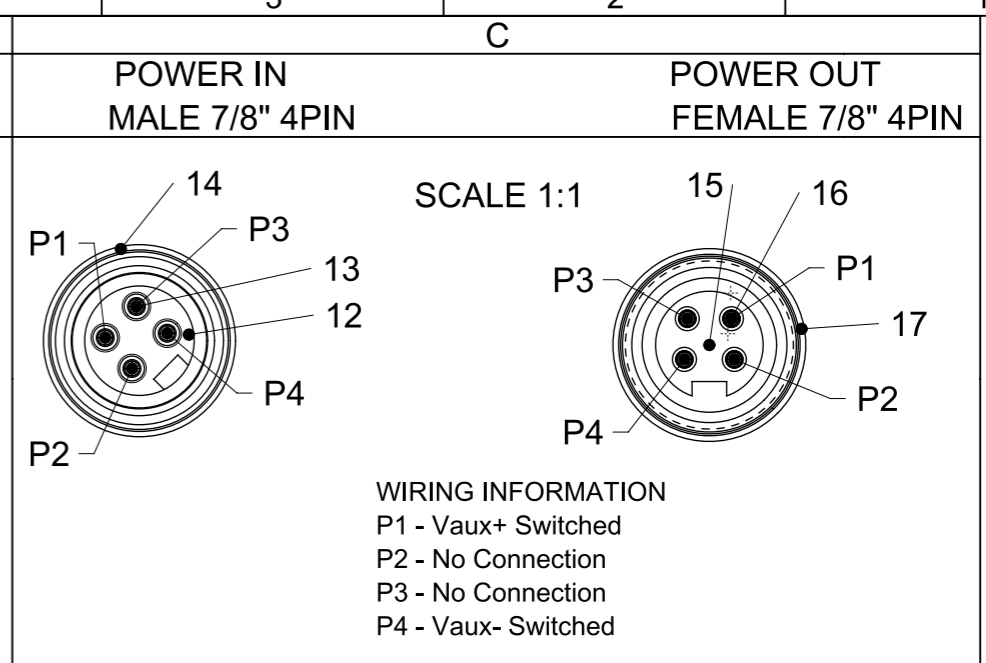
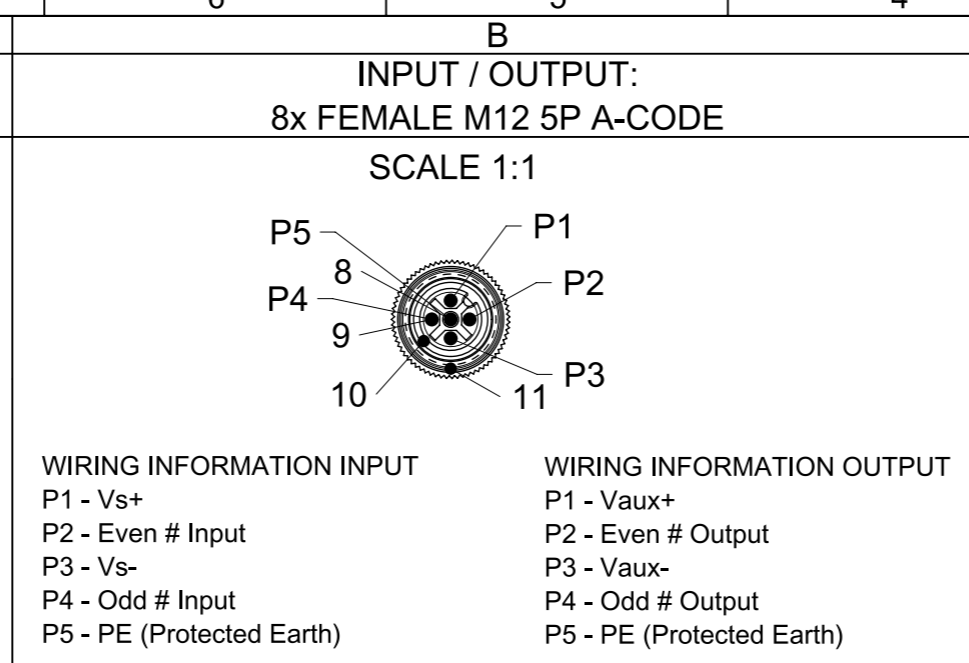
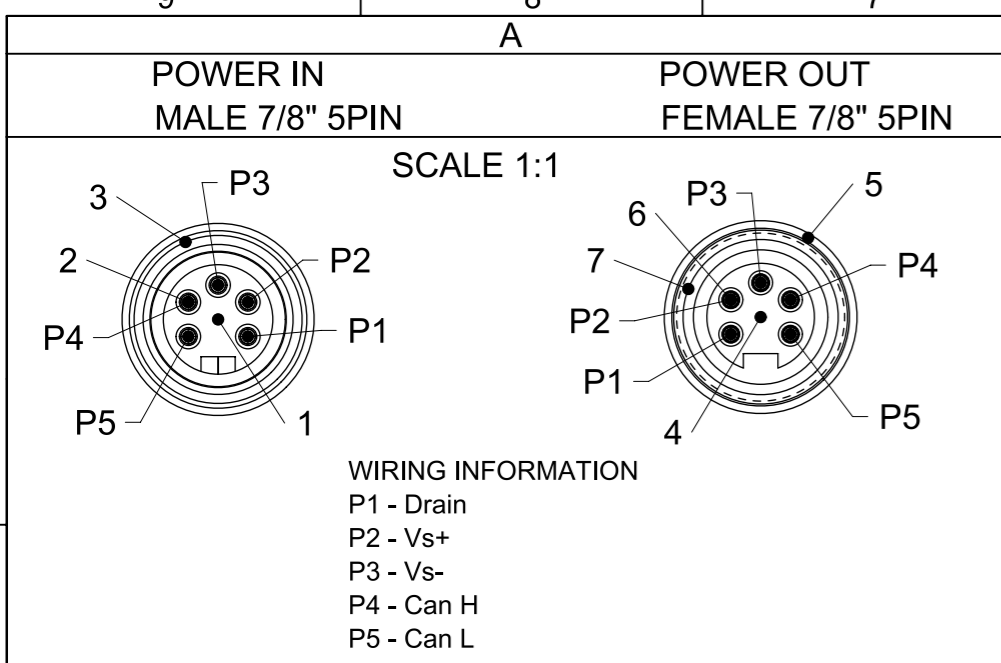
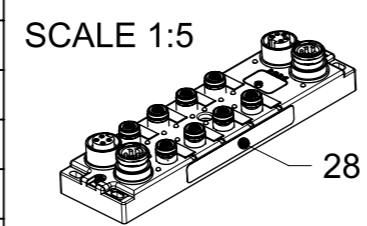
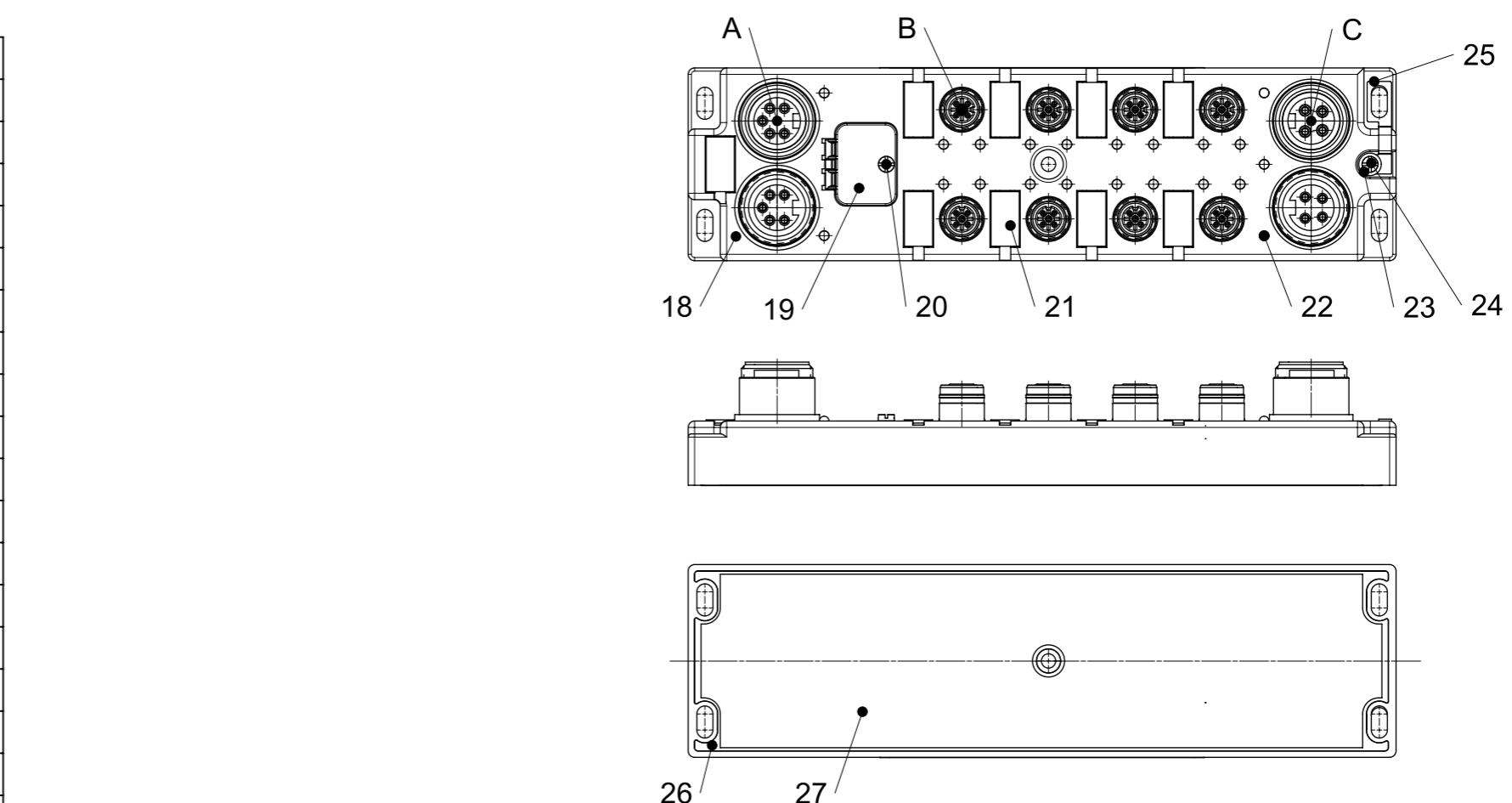


THIS DRAWING CONTAINS INFORMATION THAT IS PROPRIETARY TO MOLEX ELECTRONIC TECHNOLOGIES, LLC AND SHOULD NOT BE USED WITHOUT WRITTEN PERMISSION											
QUALITY SYMBOLS		2015/10/26		GENERAL TOLERANCES (UNLESS SPECIFIED)		DIMENSION UNITS		SCALE			
▽A	= 0	EC NO: 101575 DRWN: AAHLERS CHK'D: APPR:	ANGULAR TOL ± °		MM		1:1				
▽E	= 0		4 PLACES	±	DRWN BY		DATE				
▽F	= 0		3 PLACES	±	ULETTENMEIER		2015/01/19				
▽	= 0		2 PLACES	±	CHK'D BY		DATE				
▽C	= 0		1 PLACE	± 0.3	APPR BY		DATE				
▽	= 0	0 PLACES	± 0.5	RSILLER		2015/06/25					
▽	= 0	DRAFT WHERE APPLICABLE MUST REMAIN WITHIN DIMENSIONS		DRAWING SIZE		THIRD ANGLE PROJECTION		PRODUCT CUSTOMER DRAWING			
▽	= 0	A1		A3				SERIES		MATERIAL NUMBER	
RELEASE STATUS		RQ		RELEASE DATE		28.10.2015		17:35:57		112092	
										1120920020	
										GENERAL MARKET	
										1120920020	
										PSD	
										000	
										1 OF 3	



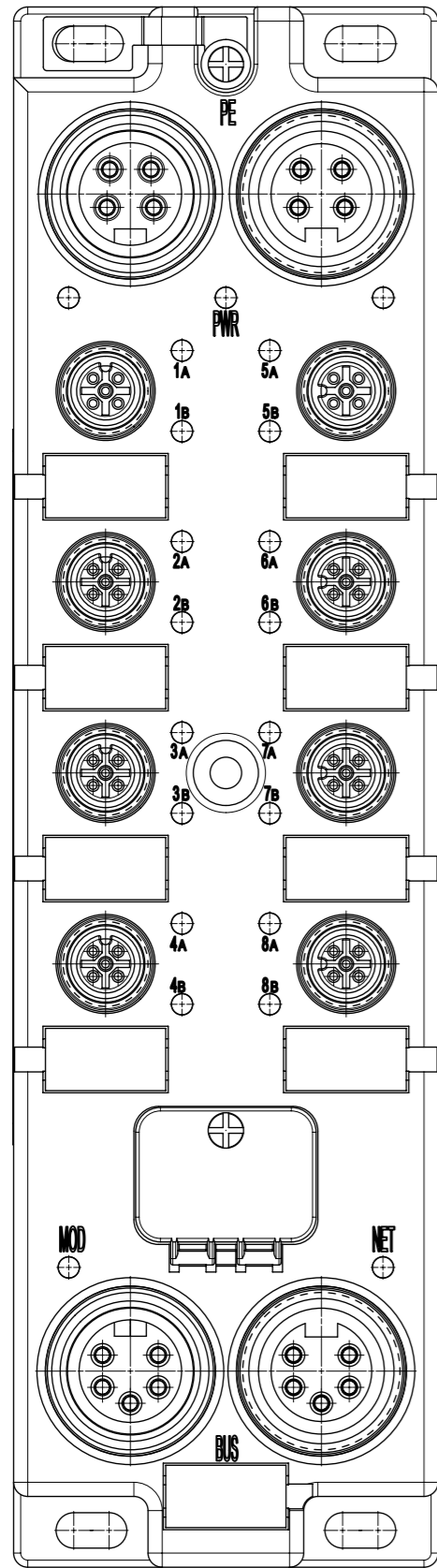
BILL OF MATERIAL

ITEM	DESCRIPTION	MATERIAL	FINISH
1	INSERT	TPE	GREY
2	CONTACT	COPPER ALLOY	NI AU
3	SHELL	BRASS	NICKEL PLATET
4	INSERT	TPE	GREY
5	GASKET	FPM	RED
6	CONTACT	COPPER ALLOY	GOLD OVER NICKEL
7	SHELL	BRASS	NICKEL PLATET
8	INSERT	TPU	BLACK
9	CONTACT	COPPER ALLOY	GOLD OVER NICKEL
10	GASKET	FPM	RED
11	SHELL	BRASS	NICKEL PLATET
12	INSERT	TPE	YELLOW
13	CONTACT	COPPER ALLOY	GOLD OVER NICKEL
14	SHELL	BRASS	NICKEL PLATET
15	INSERT	TPE	YELLOW
16	CONTACT	COPPER ALLOY	GOLD OVER NICKEL
17	SHELL	BRASS	NICKEL PLATET
18	HOUSING	PBT	BLACK
19	WINDOW	PC	TRANSPARENT
20	SCREW	V2V	V2A
21	LABEL	PC	WHITE
22	FIBER OPTIC	PA	TRANSPARENT
23	WASHER	BRASS	NICKEL PLATET
24	SCREW	V2V	V2A
25	SHIELD PLATE	STAINLESS STEEL	STAINLESS STEEL
26	RESIN	EPOXY	TRANSPARENT
27	LABEL	PVC	WHITE
28	LABEL	PVC	YELLOW



THIS DRAWING CONTAINS INFORMATION THAT IS PROPRIETARY TO MOLEX ELECTRONIC TECHNOLOGIES, LLC AND SHOULD NOT BE USED WITHOUT WRITTEN PERMISSION

QUALITY SYMBOLS	2015/10/26	GENERAL TOLERANCES (UNLESS SPECIFIED)	DIMENSION UNITS	SCALE				
			MM	1:2				
▽A = 0	EC NO: 101575	DRWN: AAHLERS	DRWN BY	DATE	DBO DN 60 MM 7/8" 5P AC MA FE U12 5P 8PT AC FE 7/8" 4P AC MA FE			
▽E = 0			ULETTENMEIER	2015/01/19				
▽F = 0	CHK'D:	DRAFT WHERE APPLICABLE MUST REMAIN WITHIN DIMENSIONS	CHK'D BY	DATE	PRODUCT CUSTOMER DRAWING			
▽ = 0			RSILLER	2015/06/25				
▽C = 0	REV	APPR:	APPR BY	DATE	SERIES	MATERIAL NUMBER	CUSTOMER	
▽ = 0			A1		RSILLER	2015/06/25	112092	1120920020
▽ = 0			DRAWING SIZE	THIRD ANGLE PROJECTION	DOCUMENT NUMBER	DOC TYPE	DOC PART	SHEET NUMBER
			A3		1120920020	PSD	000	2 OF 3



DEVICE NET PRINTING

TABLE 1 DEVICE NET PRINTING					
POWER TYPE	INPUT / OUTPUT		ENG.NO.	MOLEX P/N	3D MODEL NO.
7/8" 5 POLE	NPN	8I /8O	TCDDN-888N-11U	1120920020	1120920020 (PDM)
	PNP	8I /8O	TCDDN-888P-11U	1120920009	
		8I /8O	TCDDN-888P-11U (A)	1120925011	

QUALITY SYMBOLS ▽A = 0 ▽E = 0 ▽F = 0 ▼ = 0 ▽C = 0 ⊗ = 0 ■ = 0 ▽ = 0	THIS DRAWING CONTAINS INFORMATION THAT IS PROPRIETARY TO MOLEX ELECTRONIC TECHNOLOGIES, LLC AND SHOULD NOT BE USED WITHOUT WRITTEN PERMISSION									
	EC NO: 101575 DRWN: AAHLERS CHK'D: APPR:	2015/10/26	GENERAL TOLERANCES (UNLESS SPECIFIED)		DIMENSION UNITS	SCALE				
			ANGULAR TOL ± °		MM	1:1				
		4 PLACES ±	DRWN BY		DATE		DBO DN 60 MM 7/8" 5P AC MA FE U12 5P 8PT AC FE 7/8" 4P AC MA FE			
		3 PLACES ±	ULETTENMEIER		2015/01/19					
		2 PLACES ±	CHK'D BY		DATE					
	1 PLACE ± 0.3	APPR BY		DATE		PRODUCT CUSTOMER DRAWING				
	0 PLACES ± 0.5	RSILLER		2015/06/25						
	DRAFT WHERE APPLICABLE MUST REMAIN WITHIN DIMENSIONS		DRAWING SIZE	THIRD ANGLE PROJECTION		SERIES	MATERIAL NUMBER	CUSTOMER		
			A3			112092	1120920020	GENERAL MARKET		
				DOCUMENT NUMBER		DOC TYPE	DOC PART	SHEET NUMBER		
				1120920020		PSD	000	3 OF 3		