

This drawing involves proprietary design rights of Tyco Electronics Corporation, and all design, manufacture, reproduction, use and sale rights regarding the same are expressly reserved. It is submitted for a specific purpose and the recipient by accepting this drawing, assumes custody and control and agrees to take reasonable precautions; (a) that this drawing will not be copied and reproduced, in whole or in part, or its contents revealed in any manner, or to any person except to meet the purpose for which it was delivered and (b) that any special features peculiar to this design will not be incorporated in other projects without the expressed written permission of Tyco Electronics Corporation.

REVISIONS

EC	REV	DESCRIPTION	DATE
11439	A	INITIAL RELEASE	11/09/99
11641	B	ADDED RETENTIVE TAILS ON BOTH PIN & SOCKET SIDE	02/01/00
0S1Q-0010-03	B1	NEW DRAWING (DRAWING WAS 999-723B)	01/09/03
0S1Q-0259-04	B2	ADDED PART NO. 279-0693-00300B	07/16/04

6. MODULE INFORMATION

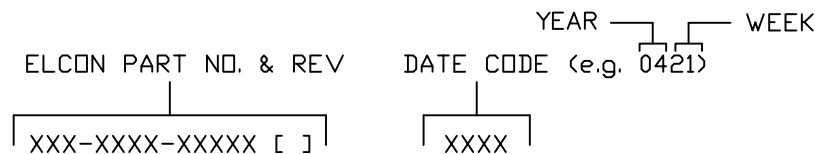
CONNECTOR	TYCO PART NUMBER	ELCON PART NUMBER	CATALOG MODULE #	QTY	SIZE NO.	CONTACT QTY	MATING PIN	MAX. CURRENT (PER CONTACT)	CONTACT SPACING	VOLTAGE RATING*
PIN	1646871-1	279-0693-00100B	FP0104	2	8	2	1.25 X 7.00 [.049 X .276]	35 AMPERES	7.50 [.2953]	250 VOLTS
			FP0105	4		4				
			FP0122	1	8	1	1.25 X 7.00 [.049 X .276]	35 AMPERES	12.00 [.4724]	600 VOLTS
PIN	1646871-2	279-0693-00300B	FP1104	2	8	2	1.25 X 7.00 [.049 X .276]	35 AMPERES	7.50 [.2953]	250 VOLTS
			FP1105	4		4				
			FP1122	1	8	1	1.25 X 7.00 [.049 X .276]	35 AMPERES	12.00 [.4724]	600 VOLTS

\*IAW IEC-950

NOTES: UNLESS OTHERWISE SPECIFIED.

- PART NUMBER CHANGES AND OR DESIGN CHANGES AFFECTING ITEM INTERCHANGEABILITY REQUIRE PRIOR ELCON APPROVAL AND AUTHORIZATION BY REVISION TO THIS DRAWING.
- MATERIALS:
  - INSULATORS: THERMOPLASTIC, GLASS REINFORCED, COLOR BLACK, UL94V-0 FLAMMABILITY RATED.
  - POWER CONTACTS: PHOSPHOR BRONZE ALLOY C51000 PER ASTM B103, COPPER ALLOY C11000 PER ASTM B152.
  - CROWN BANDS: BERYLLIUM COPPER ALLOY C17200 PER ASTM B194.
- FINISHES:
  - CONTACTS: GOLD PLATED PER MIL-G-45204 TYPE II, CLASS 0, .000030" MIN. THK, OVER NICKEL PER QQ-N-290, CLASS 2, .000040" MIN. THK. SOLDER TAILS, TIN/LEAD (90/10) PER ASTM B 545, TYPE I, .000100" MIN. THICK.

- ITEMS PROVIDED TO THIS SPECIFICATION TO BE PERMANENTLY IDENTIFIED PER THE FOLLOWING IDENTIFIER:

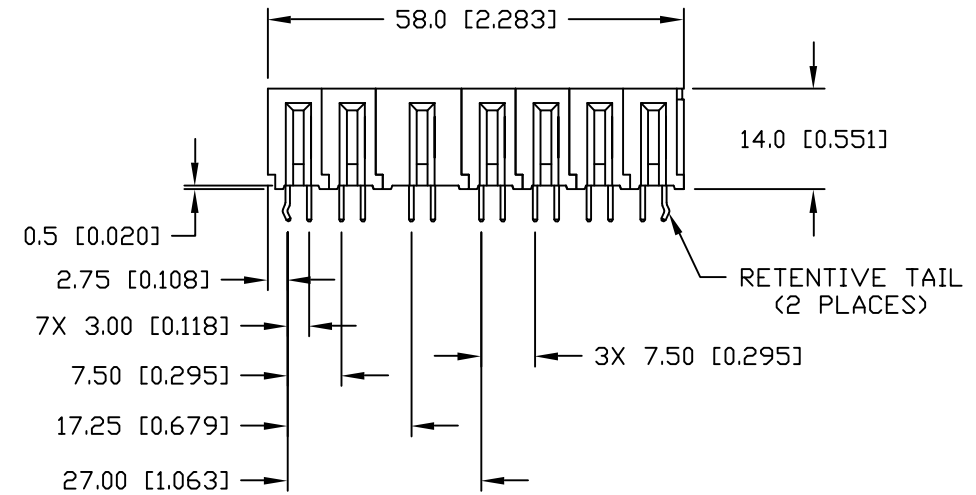
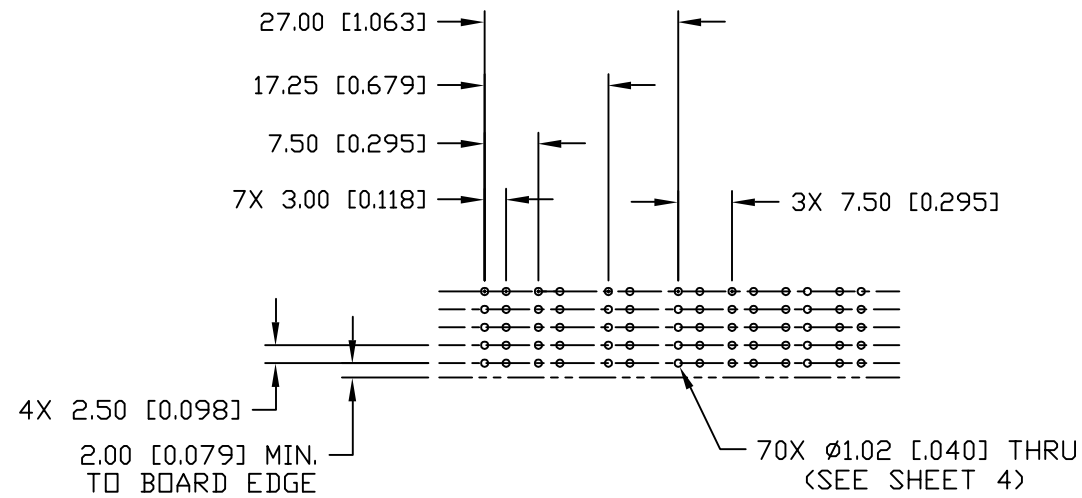
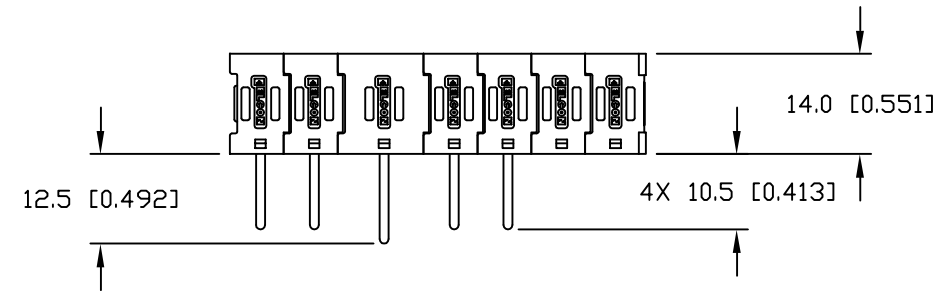
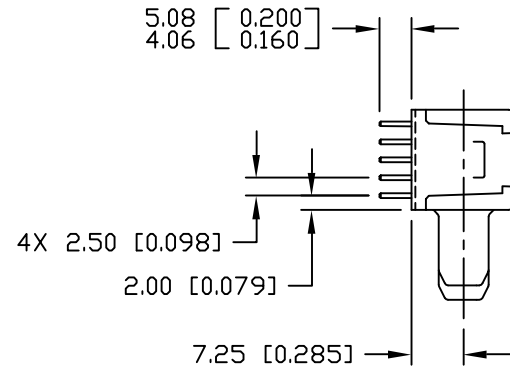


- THIS CONNECTOR MATES WITH SOCKET CONNECTOR PN: 278-0693-00200/-00400

<p>THIRD ANGLE PROJECTION</p> <p>UNLESS OTHERWISE SPECIFIED DIMENSIONS ARE IN METRIC [INCHES]</p> <p>TOLERANCES</p> <p>ANGLES ± .5°</p> <p>DECIMALS</p> <p>.XX ± .25 [.010]</p> <p>.X ± .5 [.020]</p>	<p>DRAWN R.F.A.</p> <p>CHECKED</p> <p>APPROVED</p> <p>APPROVED</p> <p>D. CHAU</p> <p>DCA APPROVED</p> <p>M. ALIM</p> <p>ACAD FILE NUMBER C1646871B2.DWG</p>	<p>DATE 11/09/99</p> <p>07/16/04</p> <p>08/19/04</p>	<p><b>tyco</b> Tyco Electronics Corporation Menlo Park, Ca 94025</p> <p><b>ELCON</b></p> <p>TITLE PIN CONNECTOR, FLATPAQ RIGHT ANGLE, SOLDER TAILS PN: 279-0693-00100B/279-0693-00300B</p> <p>SIZE DWG NUMBER B C = 1646871</p> <p>REV. B2</p>
	<p>MM OR MM [INCH]</p> <p>INCH</p>		<p>DATE 11/09/99</p>
	<p>DATE 11/09/99</p>		<p>DATE 07/16/04</p>
	<p>DATE 08/19/04</p>		<p>DATE 07/16/04</p>
<p>ACAD FILE NUMBER C1646871B2.DWG</p>		<p>DWG SCALE 1=1</p>	<p>SH 1 OF 4</p>

This drawing involves proprietary design rights of Tyco Electronics Corporation, and all design, manufacture, reproduction, use and sale rights regarding the same are expressly reserved. It is submitted for a specific purpose and the recipient by accepting this drawing, assumes custody and control and agrees to take reasonable precautions; (a) that this drawing will not be copied and reproduced, in whole or in part, or its contents revealed in any manner, or to any person except to meet the purpose for which it was delivered and (b) that any special features peculiar to this design will not be incorporated in other projects without the expressed written permission of Tyco Electronics Corporation.

REVISIONS			
EC	REV	DESCRIPTION	DATE
		SEE SHEET 1	

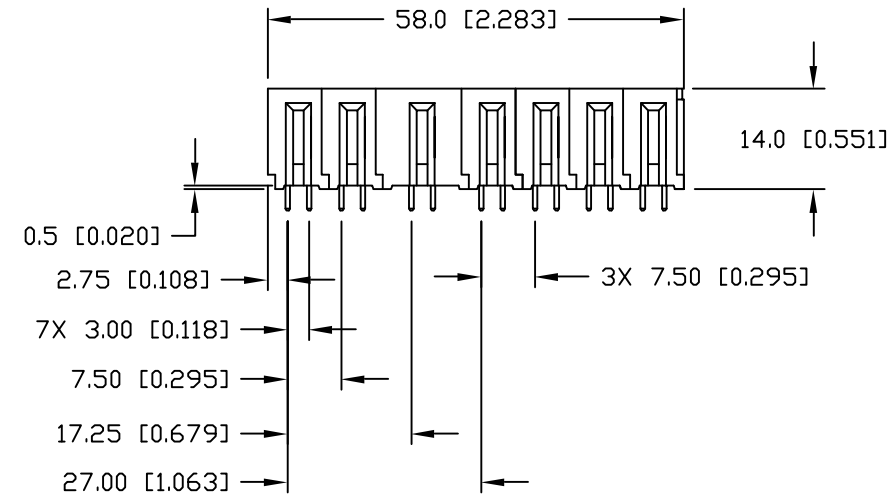
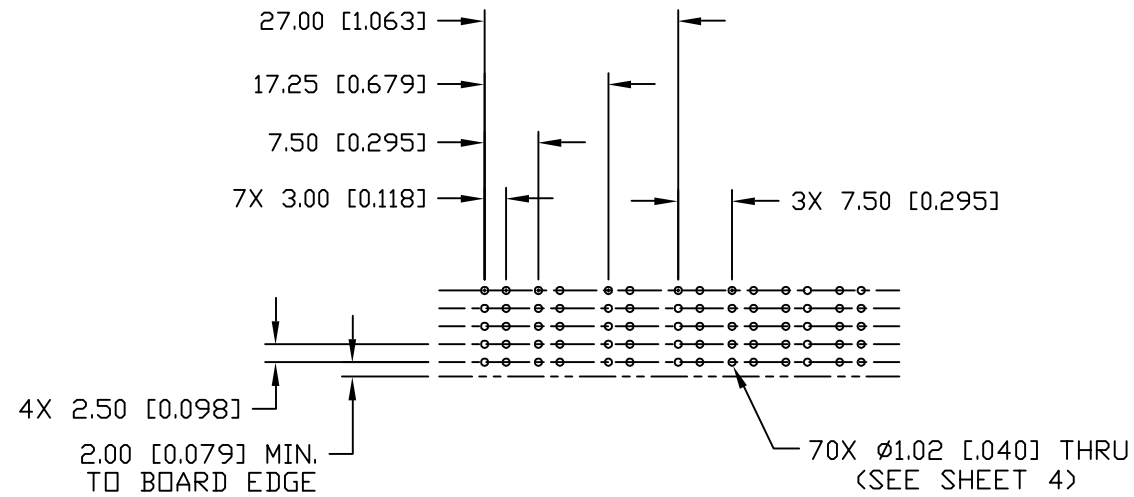
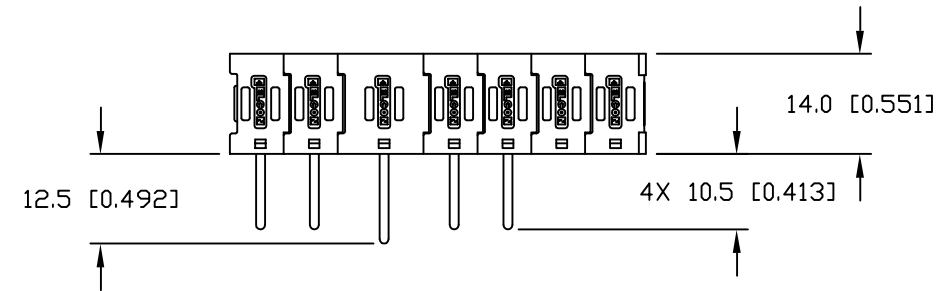
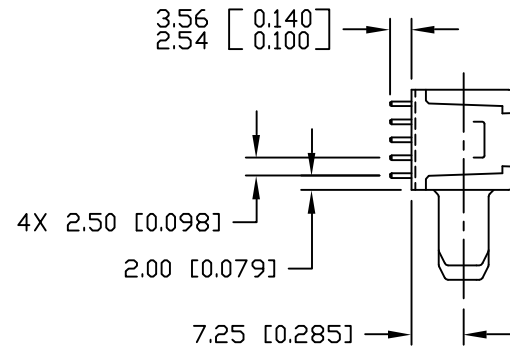


PRINTED CIRCUIT LAYOUT

← MM OR MM [INCH] INCH  THIRD ANGLE PROJECTION UNLESS OTHERWISE SPECIFIED DIMENSIONS ARE IN METRIC [INCHES]	DRAWN R.F.A.	DATE 11/09/99	 Tyco Electronics Corporation Menlo Park, Ca 94025 	TITLE PIN CONNECTOR, FLATPAQ RIGHT ANGLE, SOLDER TAILS PN: 279-0693-00100B	
	CHECKED				SIZE B
TOLERANCES ANGLES ± .5° DECIMALS .XX ± .25 [.010] .X ± .5 [.020]	APPROVED				
	APPROVED D. CHAU	07/16/04			
	DCA APPROVED M. ALIM	08/19/04			
	ACAD FILE NUMBER	C1646871B2.DWG		DWG SCALE 1=1	SH 2 OF 4

This drawing involves proprietary design rights of Tyco Electronics Corporation, and all design, manufacture, reproduction, use and sale rights regarding the same are expressly reserved. It is submitted for a specific purpose and the recipient by accepting this drawing, assumes custody and control and agrees to take reasonable precautions; (a) that this drawing will not be copied and reproduced, in whole or in part, or its contents revealed in any manner, or to any person except to meet the purpose for which it was delivered and (b) that any special features peculiar to this design will not be incorporated in other projects without the expressed written permission of Tyco Electronics Corporation.

REVISIONS			
EC	REV	DESCRIPTION	DATE
		SEE SHEET 1	

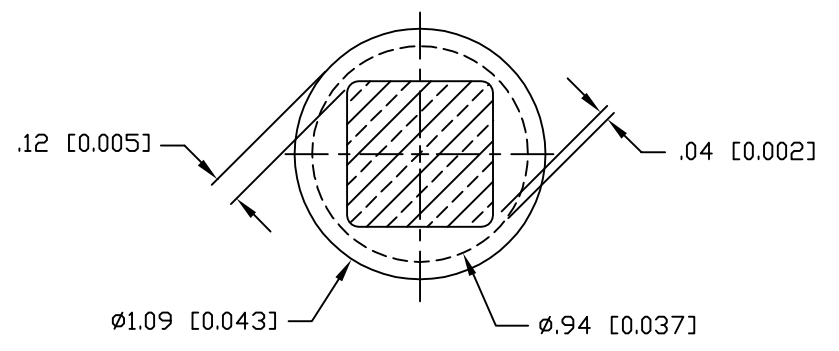
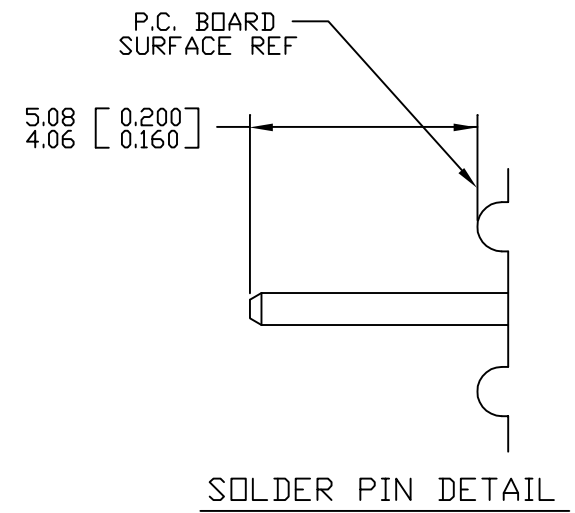
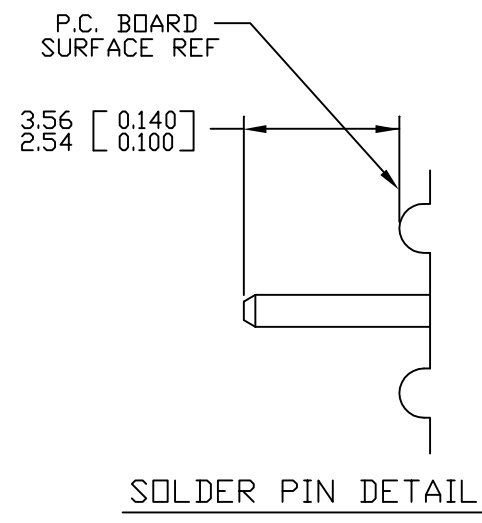


PRINTED CIRCUIT LAYOUT

← MM OR MM [INCH] INCH  THIRD ANGLE PROJECTION UNLESS OTHERWISE SPECIFIED DIMENSIONS ARE IN METRIC [INCHES] TOLERANCES ANGLES ± .5° DECIMALS .XX ± .25 [.010] .X ± .5 [.020]	DRAWN R.F.A.	DATE 11/09/99	<b>tyco</b> Tyco Electronics Corporation <b>Electronics</b> Menlo Park, Ca 94025 <b>ELCON</b>	TITLE		
	CHECKED			PIN CONNECTOR, FLATPAQ RIGHT ANGLE, SOLDER TAILS PN: 279-0693-00300B		
	APPROVED		APPROVED D. CHAU 07/16/04	SIZE B	DWG NUMBER C = 1646871	REV. B2
	APPROVED M. ALIM 08/19/04	ACAD FILE NUMBER C1646871B2.DWG	DWG SCALE 1=1	SH 3 OF 4		

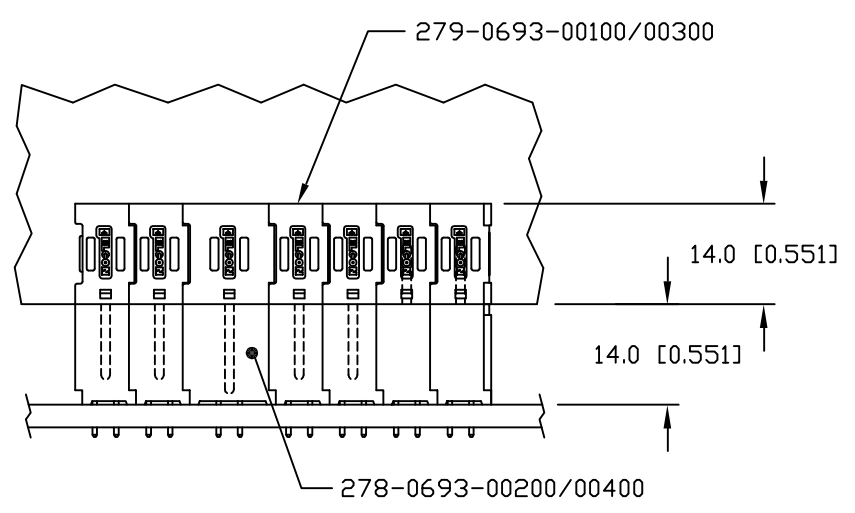
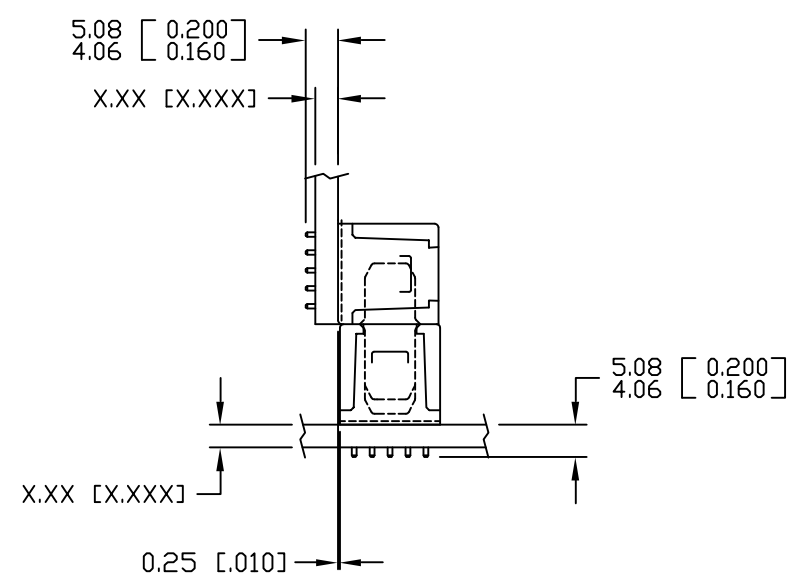
This drawing involves proprietary design rights of Tyco Electronics Corporation, and all design, manufacture, reproduction, use and sale rights regarding the same are expressly reserved. It is submitted for a specific purpose and the recipient by accepting this drawing, assumes custody and control and agrees to take reasonable precautions; (a) that this drawing will not be copied and reproduced, in whole or in part, or its contents revealed in any manner, or to any person except to meet the purpose for which it was delivered and (b) that any special features peculiar to this design will not be incorporated in other projects without the expressed written permission of Tyco Electronics Corporation.

REVISIONS			
EC	REV	DESCRIPTION	DATE
		SEE SHEET 1	



SOLDER TERMINATION AREA  
RECOMMENDED PRINTED CIRCUIT HOLE

FINISHED HOLE:  $\phi 1.02 [0.040] \pm .08 [0.003]$   
DRILLED HOLE:  $\phi 1.15 [0.0453] \pm .013 [0.0005]$   
COPPER PLATE: .025 [0.0010] MINIMUM (PER SURFACE)  
TIN PLATE: .008 [0.0003] MINIMUM (PER SURFACE)



← MM OR MM [INCH]  THIRD ANGLE PROJECTION UNLESS OTHERWISE SPECIFIED DIMENSIONS ARE IN METRIC [INCHES] TOLERANCES ANGLES $\pm .5^\circ$ DECIMALS .XX $\pm .25 [0.010]$ .X $\pm .5 [0.020]$	DRAWN R.F.A.	DATE 11/09/99	 Tyco Electronics Corporation Menlo Park, Ca 94025 	TITLE USER INFORMATION SOLDER TAIL TERMINATION AND MATED CONDITION	
	CHECKED				SIZE B
	APPROVED		DWG NUMBER C = 1646871		REV. B2
	APPROVED D. CHAU DCA APPROVED M. ALIM	07/16/04 08/19/04	ACAD FILE NUMBER C1646871B2.DWG		DWG SCALE 1=1 SH 4 OF 4