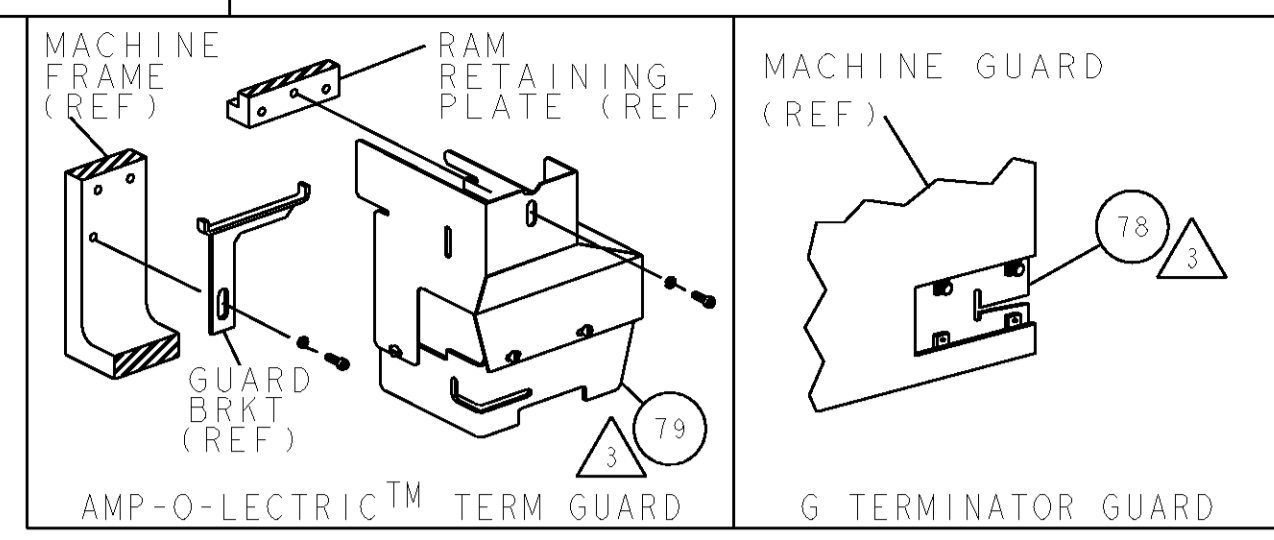
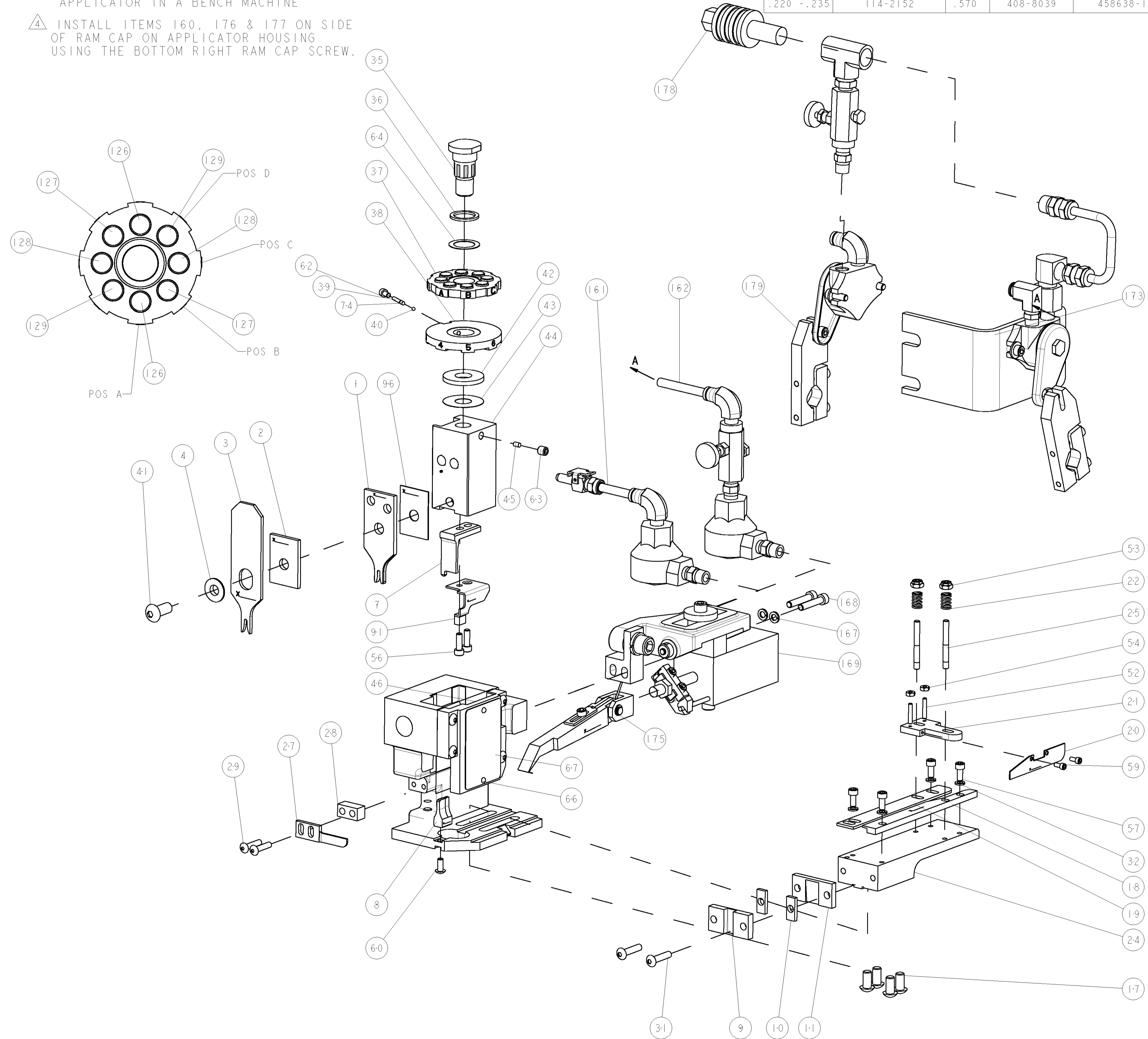


PART NUMBER	REV	FIRST USED	POWER UNIT	FEED TYPE
1852691-1	B	122500-1	LEADMAKER & BENCH MODEL G	AIR FEED
1852691-2	B	565435-5	BENCH MODEL K	AIR FEED
7-1852691-7	A	-	SPARE PARTS	-



TERMINAL NAME: RECEPTACLE, FASTON, FLAG AMPLIVAR, .187 SERIES		TE TERMINAL - TE CRIMP SPECS	
1742679	-		
-	-	PAD LTR	CRIMP HEIGHT
-	-	A	.065±.002 [1.65±0.05mm]
-	-	B	.063±.002 [1.60±0.05mm]
-	-	C	.061±.002 [1.55±0.05mm]
-	-	D	.054±.002 [1.37±0.05mm]
-	-	CRIMP	SIZE
-	-	WIRE	.080 [2.03mm]
-	-	INSUL	.100 [2.54mm]
-	-	TYPE	F
-	-	RANGE	16-20 MAG
-	-	WIRE STRIP LENGTH	.220 - .235
-	-	TERM APPL SPEC	114-2152
-	-	FEED	.570
-	-	APPL INSTRUCTIONS	408-8039
-	-	SET UP GAGE	458638-1

- △ RECOMMENDED SPARE PARTS
- △ GREASE LIGHTLY
- △ GUARD MUST BE IN PLACE WHEN OPERATING APPLICATOR IN A BENCH MACHINE
- △ INSTALL ITEMS 160, 176 & 177 ON SIDE OF RAM CAP ON APPLICATOR HOUSING USING THE BOTTOM RIGHT RAM CAP SCREW.



LOC	REV	DESCRIPTION	DATE	OWN	APPROV
A	66	RELEASED	07AUG2008	LG	TE
B		ECR-09-013158	10JUN2009	BH	BH

-	1	-	-	455350-4	AIR BLAST ASS'Y	179
-	1	-	-	24042-2	VALVE, SLEEVE, 3-WAY	178
△	1	1	-	986220-3	CLAMP, CABLE, BLACK	177
△	1	1	-	23238-1	INSERT, COUPLING	176
-	1	1	-	3-460680-1	FEED FINGER ASSEMBLY	175
-	1	-	-	692655-6	AIR FEED VALVE ASSEMBLY	173
-	1	1	-	460277-1	AIR FEED ASSY	169
-	2	2	-	3-21000-9	SCR, SKT HD CAP 10-32 X 1.000	168
-	2	2	-	21024-5	WASHER, SPRG LOCK, REG NO 10	167
-	1	-	-	692655-5	AIR FEED VALVE ASSEMBLY	162
-	-	1	-	692655-7	AIR FEED VALVE ASSEMBLY	161
△	24	18	IN	27319-4	TUBING, POLY-FLO, NATURAL	160
-	2	2	-	354779-7	PIN, WIRE DISC, .3025	129
-	2	2	-	9-354778-2	PIN, WIRE DISC, .2955	128
-	2	2	-	8-354778-7	PIN, WIRE DISC, .2930	127
-	2	2	-	8-354778-3	PIN, WIRE DISC, .2910	126
-	1	1	-	455888-5	SPACER, CRIMPER	96
-	1	1	-	1320560-2	DEPRESSOR, TERMINAL	91
△	REF	-	-	455745-1	GUARD WINDOW	79
△	REF	REF	-	679532-1	INSERT, GUARD	78
-	1	1	-	690603-1	SPRING ASSIST AMP-O-MATOR APPLICATOR	74
-	1	1	-	217238-1	GENERAL INSTRUCTION PKG	72
-	1	1	-	4088039	EF APPL INST 408-8039	71
-	1	1	-	461264-1	PLATE, IDENTIFICATION	67
-	2	2	-	21017-2	SCREW, DRIVE	66
-	1	1	-	986950-1	WASHER, FLAT PRECISION	64
-	1	1	-	21009-2	SCR, SET, SELF LOCKING 1/4-20 X .250	63
-	1	1	-	23030-1	SCR, SKT HD CAP 6-32 X .25	62
-	1	1	-	22733-8	SCR, BHSC, SELF-LOCKING, 8-32 X .375	60
-	2	2	-	1-21000-3	SCR, SKT HD CAP 4-40 X .250	59
-	4	4	-	2-21000-6	SCR, SKT HD CAP 8-32 X .375	57
-	2	2	-	2-21000-7	SCR, SKT HD CAP 8-32 X .500	56
-	2	2	-	21018-4	NUT, HEX, REG 4-40	54
-	2	2	-	21022-2	NUT, HEX, SELF-LOCKING, THIN, 8-32	53
-	2	2	-	2-21006-6	SCR, SET, CUP POINT 4-40 X .625	52
-	1	1	-	1633570-5	SUB ASSY, APPLICATOR FRAME	46
-	1	1	-	690191-1	PLUG, NYLON	45
-	1	1	-	679275-1	RAM	44
-	1	1	-	690125-1	SHIM SUB-ASSY	43
-	1	1	-	690124-9	WASHER, RAM (.125)	42
-	1	1	-	7-21002-7	SCR, BTN SKT HD CAP 5/16-24 X .750	41
-	1	1	-	23241-6	BALL, STEEL	40
-	1	1	-	690170-1	SPRING, COMPRESSION	39
-	1	1	-	690142-5	DISC, INSULATION	38
-	1	1	-	354777-1	WIRE DISC, ASSEMBLY	37
-	1	1	-	22480-5	SPRING, COMPRESSION	36
-	1	1	-	690212-1	POST, RAM	35
-	4	4	-	21024-4	WASHER, SPRG LOCK, REG NO 8	32
-	2	2	-	3-21002-0	SCR, BTN SKT HD CAP 10-32 X .875	31
-	2	2	-	2-21002-4	SCR, BTN SKT HD CAP 8-32 X .750	29
-	1	1	-	690451-1	SPACER, STRIPPER	28
-	1	1	-	240639-4	STRIPPER (MACHINING)	27
-	2	2	-	22354-8	STUD, THREADED	25
-	1	1	-	1-455678-9	PLATE, STRIP GUIDE	24
-	2	2	-	3-22281-5	SPRING, COMPRESSION	22
-	1	1	-	464451-6	ARM, STOCK DRAG	21
-	1	1	-	1-464452-1	DRAG, STOCK	20
-	1	1	-	2-454204-1	GUIDE, LOWER STRIP	19
-	1	1	-	6-458031-8	STRIP GUIDE, FRONT	18
-	4	4	-	3-21002-3	SCR, BTN SKT HD CAP 1/4-20 X .500	17
△	1	1	-	240644-1	PLATE, REAR SHEAR	11
△	2	2	-	1-240645-2	SPACER, SHEAR PLATE	10
△	1	1	-	318704-2	PLATE, FRONT SHEAR	9
△	1	1	-	2-459866-7	ANVIL, COMBINATION	8
△	1	1	-	679272-2	BLADE, SLUG	7
-	-	-	-	-	-	6
-	-	-	-	-	-	5
-	1	1	-	238009-4	BLOCK, FL CRIMPER SPACER	4
△	1	1	-	9-456135-6	CRIMPER, INSULATION O PREMIUM	3
△	1	1	-	2-455888-7	SPACER, CRIMPER	2
△	1	1	-	1-318702-2	CRIMPER, WIRE	1

ITEM NO	PART NO	DESCRIPTION	QTY
-77	-2	-1	U/M

DIMENSIONS: INCHES 	TOLERANCES UNLESS OTHERWISE SPECIFIED: 9 PLC ±.001 1 PLC ±.01 3 PLC ±.001 4 PLC ±.0001 ANGLES ±.0001	DWN: EL GROSS CHK: T. ELBIN APVD: M. DEWING DATE: 09JUN2008 PRODUCT SPEC: END FEED HDM APPLICATOR APPLICATION SPEC:	Tyco Electronics Harrisburg, PA 17105-3608 NAME: END FEED HDM APPLICATOR SIZE: A1 CAGE CODE: 00779 DRAWING NO: C-1852691 SCALE: 3:5 SHEET: 1 OF 1 REV: B
---------------------------	---	--	--

Mouser Electronics

Authorized Distributor

Click to View Pricing, Inventory, Delivery & Lifecycle Information:

[TE Connectivity:](#)

[1852691-2](#)