

92mm sq.

San Ace 92W

25mm thick, 25mm thick(WS type),
25mm thick(WP type), 25mm thick(WP type)



- General Specifications** With a pulse sensor Specifications for pulse sensors ⇔ Refer to Page 297
- Material Frame: Aluminum, Impeller:Plastics (Flammability: UL94V-1)
 - Expected Life Varies for each model(Indoor, L10:Survival rate: 90% at 60°C ,
rated voltage,and continuously run in a free air state)
 - Lead Wire ⊕red ⊖black or blue Sensor yellow
 - Storage Temperature -30°C to +70°C (Non-condensing)

92×92×25mm (Mass : 190g)

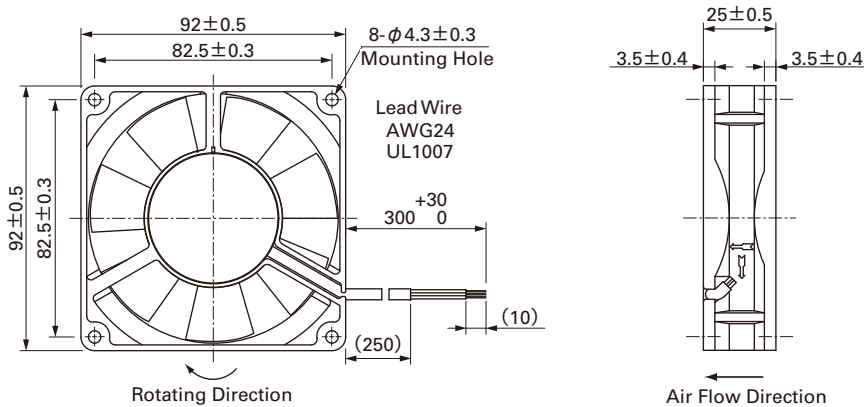
IP 55 Dust resistant device with protection against water jets

Specifications

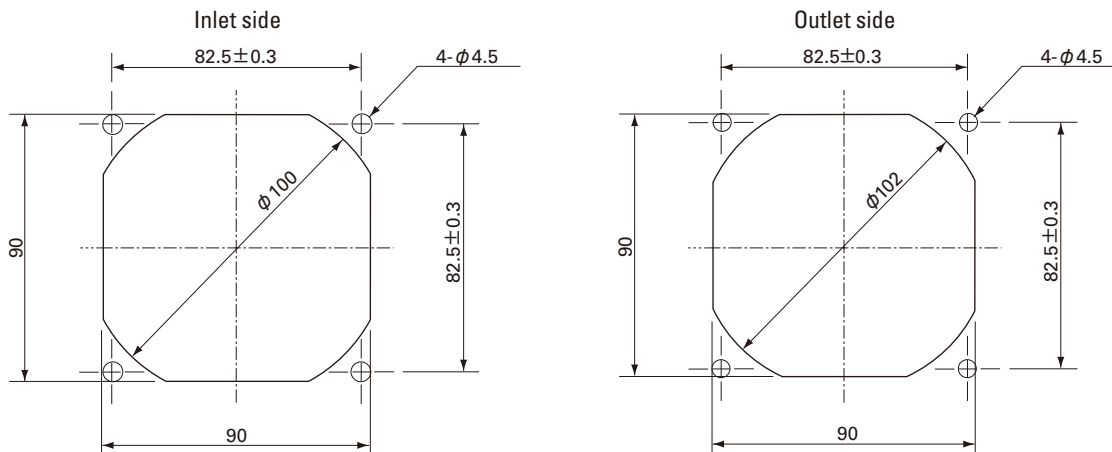
Model No.	Rated Voltage [V]	Operating Voltage Range [V]	Rated Current [A]	Rated Input [W]	Rated Speed [min ⁻¹]	Max. Air Flow [m ³ /min] [CFM]	Max. Static Pressure [Pa] [inchH ₂ O]	SPL [dB(A)]	Operating Temperature [°C]	Expected Life [h]
109W0912H401-U	12	10.2 to 13.8	0.21	2.52	2,850	1.38	48.7	45.1	0.181	33
109W0912F401-U			0.14	1.68	2,450	1.18	41.7	32.3	0.130	30
109W0912M401-U			0.11	1.32	2,100	1.01	35.7	23.5	0.094	27
109W0912L401-U			0.08	0.96	1,700	0.80	28.2	16.7	0.067	23
109W0924H401-U	24	20.4 to 27.6	0.12	2.88	2,850	1.38	48.7	45.1	0.181	33
109W0924F401-U			0.08	1.92	2,450	1.18	41.7	32.3	0.130	30
109W0924M401-U			0.06	1.44	2,100	1.01	35.7	23.5	0.094	27
109W0924L401-U			0.05	1.2	1,700	0.80	28.2	16.7	0.067	23
109W0948H401-U	48	40.8 to 55.2	0.06	2.88	2,850	1.38	48.7	45.1	0.181	33

Without Sensor Pulse Sensor Available in all models. Lock Sensor Please inquire as the availability of these functions depend on the model.

Dimensions (Unit : mm)



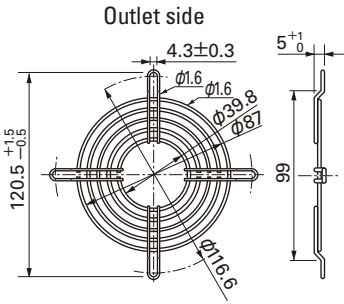
Reference dimension of mounting holes and vent opening (Unit : mm)



Options (Unit : mm)

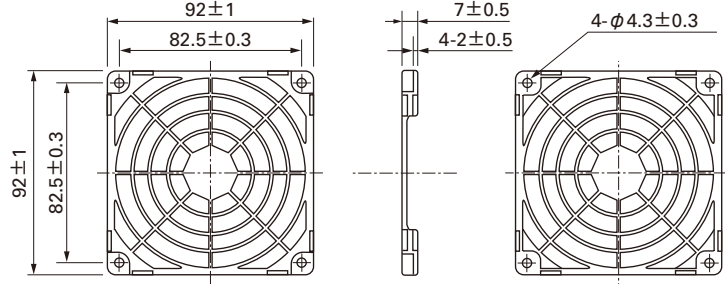
Finger guards

Model : 109-099C Surface treatment : Nickel-chrome plating (silver) Color : Nickel-chrome plating (silver)

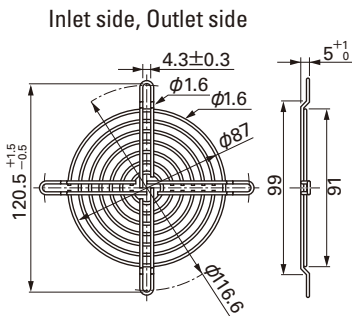


Resin Finger guards

Model : 109-1001G

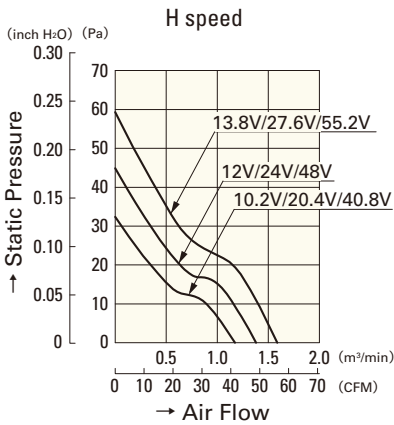


Model : 109-099E Surface treatment : Nickel-chrome plating (silver) Color : Nickel-chrome plating (silver)
: 109-099H : Cation electropainting (black)

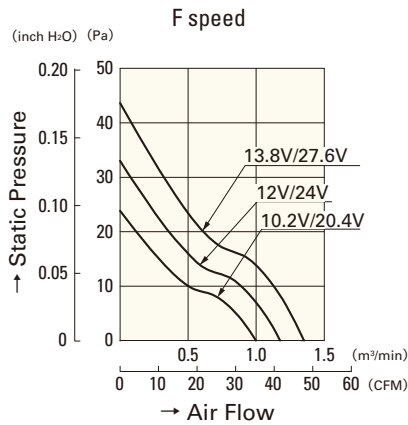


Splash Proof Fan 92mm

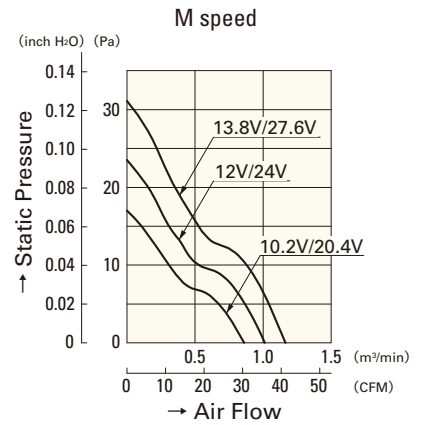
Air Flow - Static Pressure Characteristics



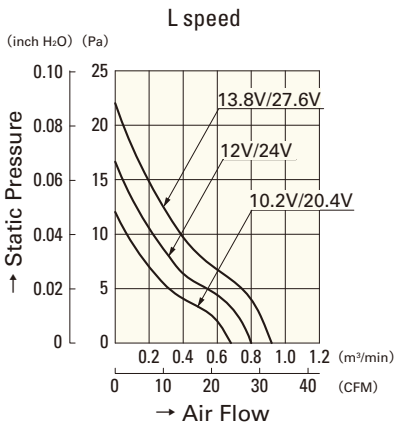
109W0912H401-U
109W0924H401-U
109W0948H401-U



109W0912F401-U
109W0924F401-U



109W0912M401-U
109W0924M401-U



109W0912L401-U
109W0924L401-U

92mm

Mouser Electronics

Authorized Distributor

Click to View Pricing, Inventory, Delivery & Lifecycle Information:

Sanyo Denki:

[109W0912F402](#) [109W0912L402](#) [109W0924F401](#) [109W0924H401](#) [109W0924H402](#) [109W0924H4D01](#)
[109W0924L402](#) [109W0912F401](#) [109W0948H401](#) [109W0912M402](#) [109W0912H401](#) [109W0924L401](#)
[109W0924M401](#) [109W0912M401](#) [109W0948H402](#) [109W0924M402](#) [109W0924F402](#) [109W0912L401](#)
[109W0924M4D01](#) [109W0912H4D01](#) [109W0912H402](#)