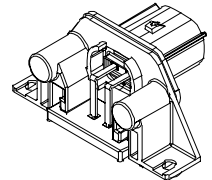
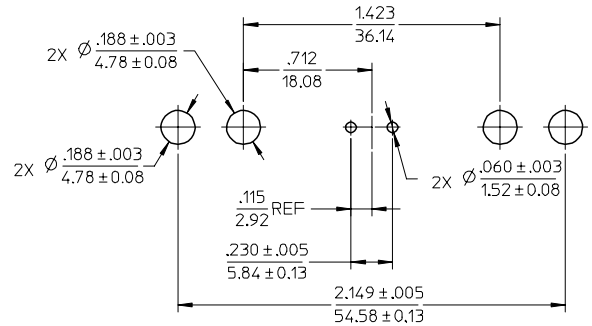
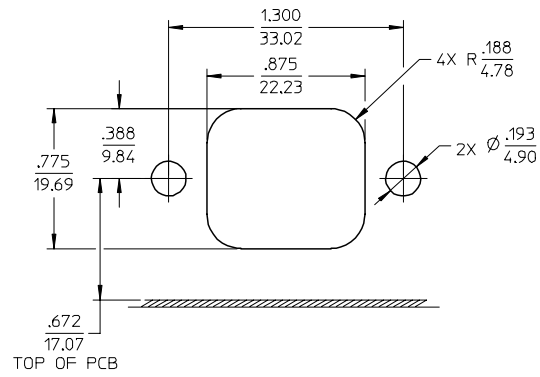
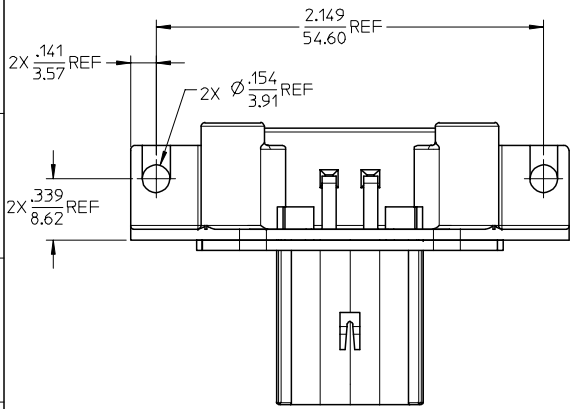


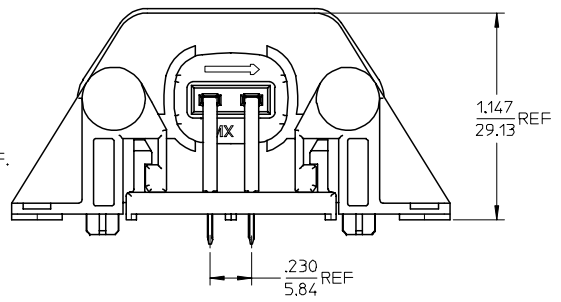
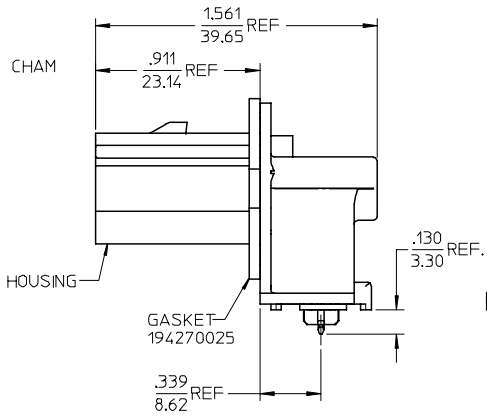
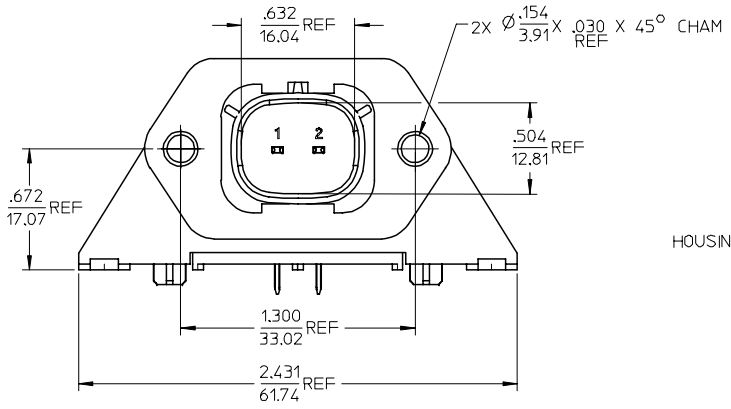
RECOMMENDED PANEL MOUNT OPENING
MAX PANEL THK .080/2.03



ASSEMBLED VIEW
SCALE 1:1



RECOMMENDED PCB LAYOUT
COMPONENT SIDE
TOLERANCES ARE NON-ACCUMULATIVE



NOTES:

- MATERIALS:
HOUSING: POLYESTER (PBT), GLASS FILLED, UL94 V-0,
COLOR: BLACK
TERMINALS: COPPER ALLOY
- FINISHES: 1. TIN ONLY; 100µN TIN OVER 50µN NICKEL
2. TIN/GOLD: 30µN SELECT GOLD (CONTACT MATING AREA),
100µN SELECT TIN (PCB TAIL AREA) OVER 50µN NICKEL OVERALL.
- PRODUCT SPECIFICATION: PS-19427-001.
- PACKAGING SPECIFICATION: PK-19427-001.
- MATES WITH: 19418 SERIES RECEPTACLE ASSEMBLIES.
- RECOMMENDED MOUNTING HARDWARE: (2) #10 X .62/18.9 LONG PLASTIC
THREAD CUTTING SCREWS. RECOMMENDED TORQUE 15-17 IN.-LBS.
SUGGESTED SOURCE: ITW SHAKEPROOF INDUSTRIAL BOSSCREW OR EQUIVALENT.

MATERIAL NO.	TERMINAL PLATING
194270094	TIN
194270110	TIN/GOLD

REVISED EC NO: ETC2006-0028 DRWN: JPWLICK 2005/10/10 CHKD: JPWLICK 2005/10/11 APPR: RDEROSS 2005/10/11	QUALITY SYMBOLS ▽=0 ▽=0	GENERAL TOLERANCES (UNLESS SPECIFIED)		DIMENSION STYLE		SCALE	DESIGN UNITS	THIRD ANGLE PROJECTION
				IN/MM		2:1	INCH	
		4 PLACES ± --- ± ---	DRAWN BY	DATE	TITLE			
		3 PLACES ± --- ± .015	DMYRICK	04/07/23	2 WAY RIGHT ANGLE HEADER ASSEMBLY WITH MOUNTING HOLES			
2 PLACES ± 0.38 ± ---	CHECKED BY	DATE	MATERIAL NO.					
1 PLACE ± --- ± ---	JPWLICK	04/07/23	RDEROSS					
ANGULAR ± 1 °		APPROVED BY	DATE	DOCUMENT NO.				
DRAFT WHERE APPLICABLE MUST REMAIN WITHIN DIMENSIONS		SEE CHART		SD-19427-010				
		MATERIAL NO.		SHEET NO.				
		RDEROSS		1 OF 1				