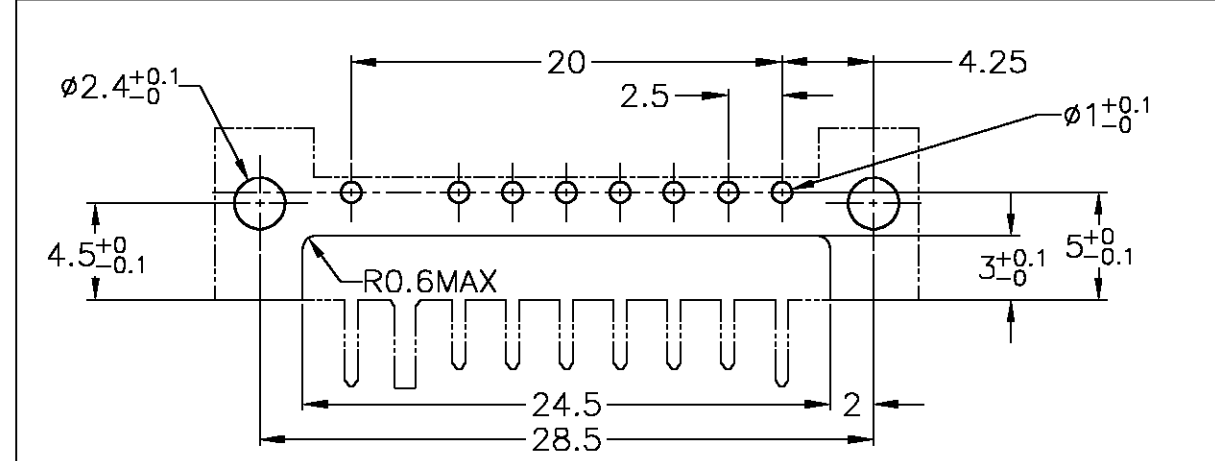
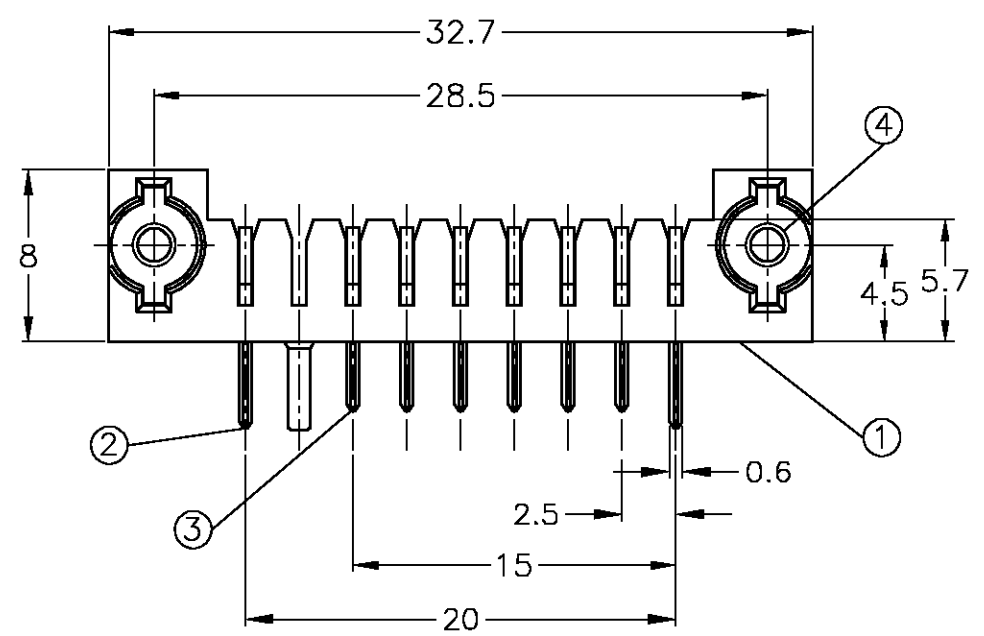
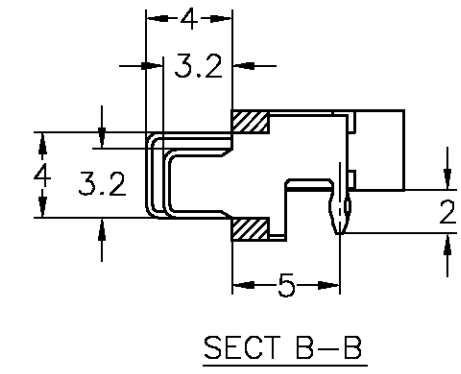
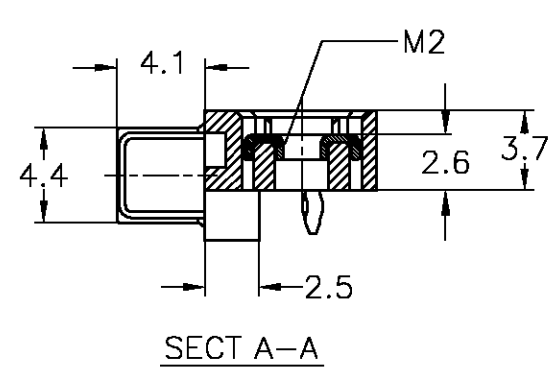
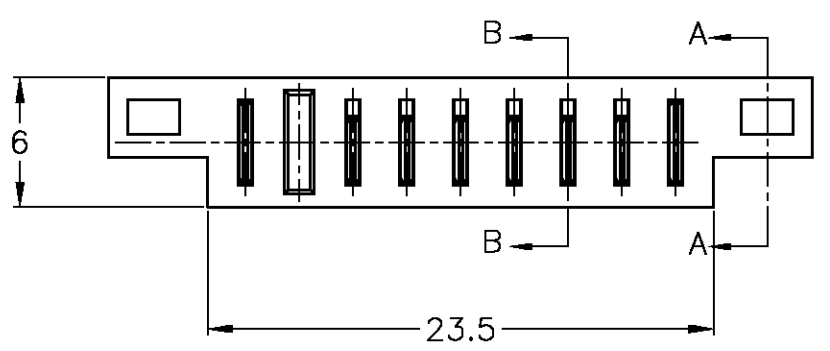


LOC	DIST	REVISIONS			DATE	DWN	APVD
J	-	P	LTR	DESCRIPTION			
			0	RELEASED	FJ00-1771-02	17DEC02	H.T I.E



参考基板寸法 (部品搭載面) (一般公差: ±0.1)  
 REFERENCE PWB DIMENSION  
 (GENERAL TOLERANCE: ±0.1)

-1 ; 本図  
 -1 ; AS SHOWN



△材質  
 ハウジング: 熱可塑性樹脂, 黒色  
 コンタクト: 銅合金  
 全面: ニッケルメッキ下地  
 接触部: 金メッキ 0.1μm以上  
 半田付け部: 金メッキ

△MATERIALS  
 HOUSING : THERMOPLASTIC, BLACK  
 CONTACT : COPPER ALLOY,  
 UNDER PLATING BY ALLOVER NICKEL PL.  
 GOLD PL. 0.1μm MIN. ON CONTACT AREA  
 GOLD PL. ON TAIL AREA

2	NUT PLATE FOR 2.5mm PITCH BATTERY CONNECTOR	4
6	BU CONNECTOR FS6 HEADER 8POS DIP TYPE, CONTACT (S)	3
2	BU CONNECTOR FS6 HEADER 8POS DIP TYPE, CONTACT (L)	2
1	BU CONNECTOR FS6 HOUSING RIVERSE KEY TYPE	1
Q'TY	NAME	ITEM

THIS DRAWING IS A CONTROLLED DOCUMENT.		DWN H.TAKASU 17DEC02	Tyco Electronics AMP K.K. Kawasaki, Japan	
DIMENSIONS: 単位: 毎 MM		CHK K.IKEGAMI 17DEC02	NAME 名称 BU CONNECTOR FS6 8POS DIP TYPE REVERSE KEY	
TOLERANCES UNLESS OTHERWISE SPECIFIED: 一般公差		APVD I.ENOMOTO 17DEC02	PRODUCT SPEC 製品規格 108-78150	
0 PLC ± 0.3 1 PLC ± 0.3 2 PLC ± 0.3 3 PLC ± - 4 PLC ± - ANGLES ± 1.5		APPLICATION SPEC 取付適用規格 -	SIZE A3	CAGE CODE 00779
MATERIAL 材質 SEE NOTE △	FINISH 仕上 SEE NOTE △	WEIGHT -	DRAWING NO 番号 1674422	RESTRICTED TO -
CUSTOMER DRAWING			SCALE 尺度 NTS	SHEET 1 OF 1 REV 0