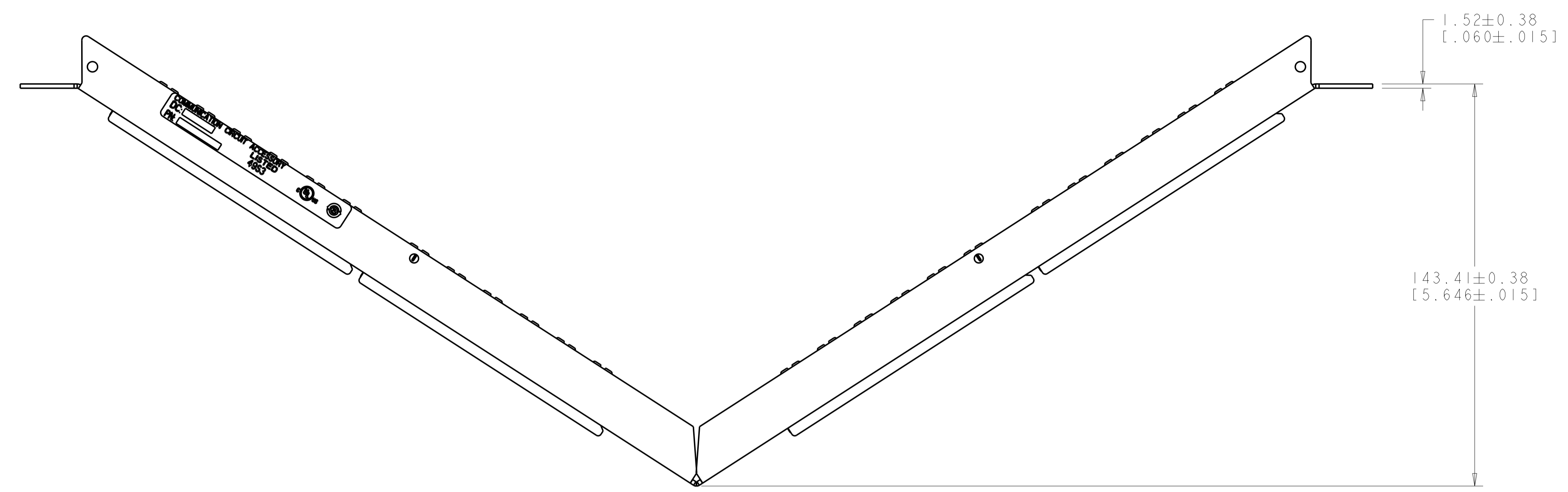
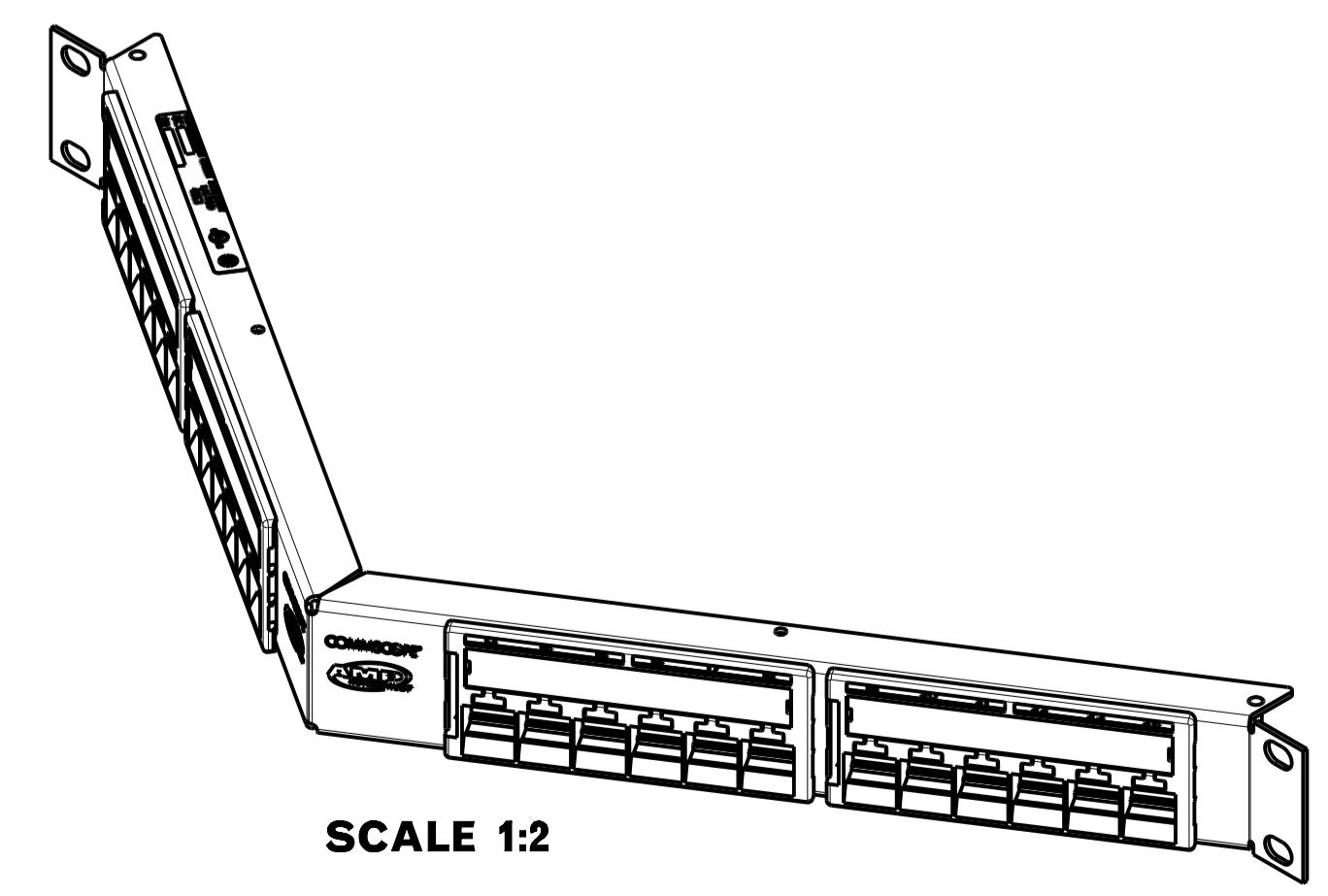
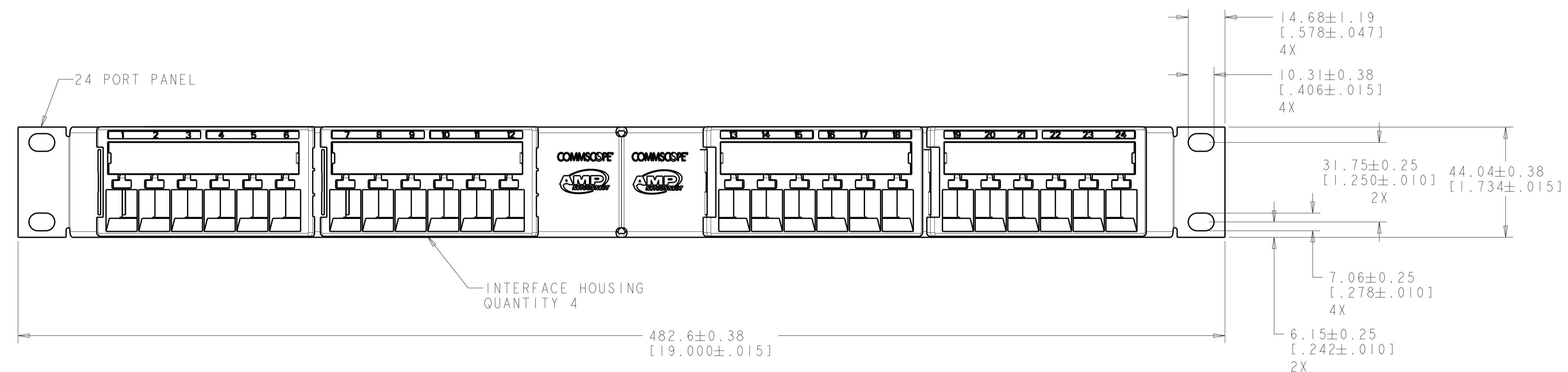


REVISIONS				
REV	LTN	DESCRIPTION	DATE	APPV
E		REV PER ECN 8000017153	29NOV2016	GG AS



- △ MATERIAL:  
 CONNECTOR HOUSING, INTERFACE: POLYESTER MOLDING COMPOUND, BLACK.  
 PANEL: BLACK POWDER COAT STEEL WITH WHITE MARKINGS.  
 AMPTRAC CONTACT : PHOS BRONZE.
2. FOUR BLACK 12-24 X 12.7 [.500] LONG AND FOUR 10-32 X 12.7 [.500] LONG CARBON STEEL CROSS RECESSED SCREWS FOR MOUNTING OF PANEL, SHIPPED LOOSE. NOT SHOWN ON DRAWING.



1933325-1  
 PART NUMBER

THIS DRAWING IS A CONTROLLED DOCUMENT.		DWN J MCNEAL 23MAY2007	COMMSCOPE, INC.	
DIMENSIONS: MM [INCHES]		CHK S HERNDON 23MAY2007	NAME KIT, PATCH PANEL ASSY, AMPTRAC 1U, 24P, MM, SHIELDED, ANGLED	
TOLERANCES UNLESS OTHERWISE SPECIFIED:		APPV S HERNDON 23MAY2007	PRODUCT SPEC	
0 PLC ±.01		APPLICATION SPEC		
1 PLC ±.02		SIZE CAGE CODE DRAWING NO		
2 PLC ±.03		RESTRICTED TO		
3 PLC ±.04		A100779C=1933325		
4 PLC ±.05		SCALE 1:1 SHEET 1 OF 1 REV E		
ANGLES ±.01		CUSTOMER DRAWING		
MATERIAL		WEIGHT		
FINISH		SCALE 1:1 SHEET 1 OF 1 REV E		