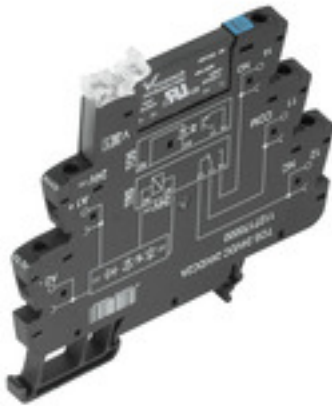


TERMSERIES TOS 24VDC 24VDC2A

Weidmüller Interface GmbH & Co. KG
Klingenbergstraße 16
D-32758 Detmold
Germany
Fon: +49 5231 1429-0
Fax: +49 5231 14292083
www.weidmueller.com



TERMSERIES complete solid-state relay modules 3 to 33 V DC 2 A output versions consisting of a solid-state relay and a base with AC/DC/UC input; available in different designs:

- With screw connection
- In 6.4 mm width
- Optionally with multiple-voltage input: 24 to 230 V UC
- With various protective circuits in the input (free-wheel diode, RC element)
- Illuminated ejection lever

General ordering data

Type	TOS 24VDC 24VDC2A
Order No.	1127170000
Version	TERMSERIES, solid-state relays, 1 NO contact (MOS-FET), Rated control voltage: 24 V DC $\pm 20\%$, Rated switching voltage: 3...33 V DC, Continuous current: 2 A, Screw connection
GTIN (EAN)	4032248908936
Qty.	10 pc(s).

TERMSERIES
TOS 24VDC 24VDC2A

Weidmüller Interface GmbH & Co. KG
 Klingenbergstraße 16
 D-32758 Detmold
 Germany
 Fon: +49 5231 1429-0
 Fax: +49 5231 14292083
 www.weidmueller.com

Technical data
Dimensions and weights

Width	6.4 mm	Width (inches)	0.252 inch
Height	89.6 mm	Height (inches)	3.528 inch
Depth	87.8 mm	Depth (inches)	3.457 inch
Weight	34 g	Net weight	32.2 g

Temperatures

Humidity	5–95% rel. humidity, $T_u = 40^\circ\text{C}$, no condensation	Operating temperature	-20 °C...60 °C
Storage temperature	-40 °C...70 °C		

Probability of failure

MTTF	1,077 Years
------	-------------

Control side

Rated control voltage	24 V DC $\pm 20\%$	Nominal control current	11.5 mA DC ($\pm 20\%$)
Power rating	0.29 W	Cut-in / dropout voltage	14 V / 12.5 V DC
Cut-in / dropout current	6.2 mA / 5.4 mA DC	Status indicator	Green LED
Protective circuit	Free-wheel diode, Reverse polarity protection	Coil voltage of the replacement relay deviating from the rated control voltage	No
Coil voltage of the replacement relay	24 V DC		

Load side

Rated switching voltage	3...33 V DC	Continuous current	2 A
Rated switching current	2 A	Inrush current	15 A / 10 ms
Switch-on delay	< 60 μs	Switch-off delay	< 600 μs
Voltage drop at max. load	≤ 120 mV	Leakage current	< 10 μA
Min. switching current	5 mA	Short-circuit-proof	No
Protective circuit, load side	Free-wheel diode	max. switching frequency (DC control voltage)	300 Hz

Contact data

Contact type	1 NO contact (MOS-FET)
--------------	------------------------

General data

Mounting rail	TS 35	UL 94 flammability rating	V-0
---------------	-------	---------------------------	-----

Insulation coordination

Rated voltage	300 V	Pollution severity	2
Surge voltage category	III	Clearance and creepage distances for control side - load side	≥ 5.5 mm
Dielectric strength for control side - load side	2.5 kV _{eff}	Dielectric strength to mounting rail	4 kV _{eff} / 1 min.
Impulse withstand voltage	6 kV (1.2/50 μs)	Protection degree	IP20

Further details of approvals / standards

Standards	DIN EN 50178	Certificate No. (GERMLLOYD)	47053-12
Certificate no. (cULus)	E141197		

Creation date December 31, 2017 1:48:52 PM CET

TERMSERIES
TOS 24VDC 24VDC2A

Weidmüller Interface GmbH & Co. KG
 Klingenbergstraße 16
 D-32758 Detmold
 Germany
 Fon: +49 5231 1429-0
 Fax: +49 5231 14292083
 www.weidmueller.com

Technical data**Connection data**

Wire connection method	Screw connection	Stripping length, rated connection	8 mm
Tightening torque, max.	0.4 Nm	Clamping range, rated connection	1.5 mm ²
Clamping range, rated connection, min.	0.14 mm ²	Clamping range, rated connection, max.	2.5 mm ²
Wire connection cross section AWG, min.	AWG 26	Wire connection cross section AWG, max.	AWG 14
Wire cross-section, solid, min.	0.14 mm ²	Wire cross-section, solid, max.	2.5 mm ²
Wire connection cross-section, finely stranded, min.	0.14 mm ²	Wire connection cross section, finely stranded, max.	2.5 mm ²
Wire cross-section, finely stranded, min. (AWG)	AWG 26	Wire cross-section, finely stranded, max. (AWG)	AWG 14
Cross-section for connected conductor, finely stranded with wire-end ferrules and plastic collars DIN 46228/4, rated connection, min.	0.25 mm ²	Wire connection cross-section, finely stranded with wire-end ferrules and plastic collars DIN 46228/4, rated connection, max.	2.5 mm ²
Conductor cross-section, flexible, AEH (DIN 46228-1), min.	0.25 mm ²	Conductor cross-section, flexible, AEH (DIN 46228-1), max.	2.5 mm ²
Wire connection cross section, finely stranded, two clampable wires, min.	0.5 mm ²	Wire cross-section, finely stranded, two clampable wires, max.	1 mm ²
Twin wire-end ferrules, min.	0.5 mm ²	Twin wire-end ferrules, max.	1 mm ²
Blade size	size PHO	Gauge to IEC 60947-1	A1, B1

Rated data UL

Ambient temperature (operational), max. 60 °C	Connection cross-section AWG, min.	AWG 26
Connection cross-section AWG, max.	Type of conductor	rigid copper conductor, flexible copper conductor
		AWG 14
Tightening torque, max.	Pollution severity level	2
		0.4 Nm

Classifications

ETIM 4.0	EC001504	ETIM 5.0	EC001504
ETIM 6.0	EC001504	eClass 6.2	27-27-09-90
eClass 7.1	27-27-09-90	eClass 8.1	27-27-09-90
eClass 9.0	27-27-09-90	eClass 9.1	27-37-16-04

Product information

Descriptive text ordering data	Spare solid-state relay Type: SSS 24 V/24 V 2 A DC Orderno.: 4061190000
Descriptive text technical data	Accessories and dimensional drawings: refer to the TERMSERIES Accessories page.

Approvals

Approvals



ROHS Conform

Data sheet**TERMSERIES**
TOS 24VDC 24VDC2A**Weidmüller Interface GmbH & Co. KG**
Klingenbergstraße 16
D-32758 Detmold
Germany
Fon: +49 5231 1429-0
Fax: +49 5231 14292083
www.weidmueller.com**Technical data****Downloads**

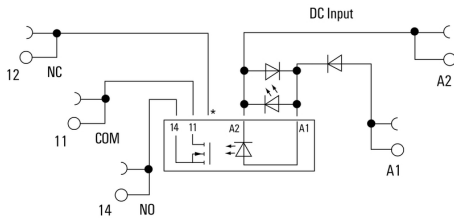
Approval/Certificate/Document of Conformity	DE_PA_5600_160229_002.pdf
Brochure/Catalogue	CAT 4.2 ELECTR 15/16 EN
Engineering Data	EPLAN, WSCAD, Zuken E3.S
Engineering Data	STEP
User Documentation	Operating Instructions

**TERMSERIES
TOS 24VDC 24VDC2A**

Weidmüller Interface GmbH & Co. KG
 Klingenbergstraße 16
 D-32758 Detmold
 Germany
 Fon: +49 5231 1429-0
 Fax: +49 5231 14292083
 www.weidmueller.com

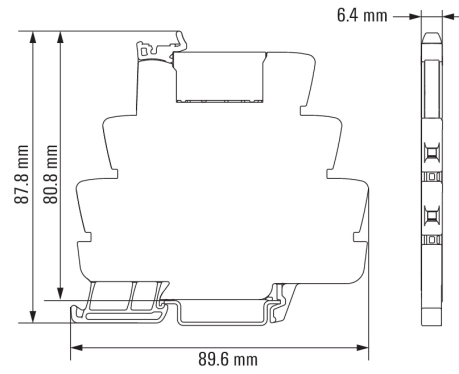
Drawings

Circuit diagram



*Contact is assembled in socket but not used with solid-state relays

Dimensional drawing



Data sheet

**TERMSERIES
TOS 24VDC 24VDC2A**

Weidmüller Interface GmbH & Co. KG
 Klingenbergstraße 16
 D-32758 Detmold
 Germany
 Fon: +49 5231 1429-0
 Fax: +49 5231 14292083
 www.weidmueller.com

Accessories

Partition plate



TERMSERIES accessories include:

- Spare relay
- Base
- Partition plates
- Cross-connections
- Power-feed modules

General ordering data

Type	Order No.	Version	GTIN (EAN)	Qty.
TW TXS/TXZ R3.2	1240800000	TERMSERIES, Separation plate	4050118028188	10 pc(s).

Crosshead screwdriver Phillips

VDE insulated crosshead screwdriver, for Phillips screws, SDIK PH DIN 7438, ISO 8764/2-PH, output to ISO 8764-PH, SoftFinish grip

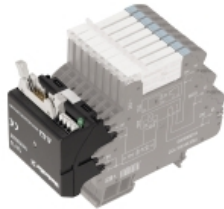


General ordering data

Type	Order No.	Version	GTIN (EAN)	Qty.
SDIK PH0	9008560000	Screwdriver, Blade length: 60 mm	4032248056552	1 pc(s).

TERMSERIES
TOS 24VDC 24VDC2A

Weidmüller Interface GmbH & Co. KG
 Klingenbergstraße 16
 D-32758 Detmold
 Germany
 Fon: +49 5231 1429-0
 Fax: +49 5231 14292083
 www.weidmueller.com

Accessories
Adapters


Extensive wiring efforts lead to high throughput times in electrical cabinet building. Thanks to our TERMSERIES interface adapter, you benefit from the speed of our plug-and-play solution.

To reduce wiring times, pre-assembled cables are used between the control system and the interface level, and are simply connected to the TERMSERIES adapter. This enables throughput times in electrical cabinet building to be significantly reduced.

Our pre-assembled plug-and-play solution with TERMSERIES interface adapter enables minimised wiring effort. The adapter has a universal fit and offers a genuine space advantage in interaction with the TERMSERIES products with identical contours.

Thanks to its symmetrical structure, the adapter can be connected to both TERMSERIES coil and contact connections. The use of positive- and negative-switching logic is also possible for the lower level thanks to the potential changeover switch.

General ordering data

Type	Order No.	Version	GTIN (EAN)	Qty.
TIA F10	1463520000	TERMSERIES, Adapter, 10- pole plug according to DIN EN 60603-13, long locking lever, Number of signal paths: 8, Rated voltage : 24 V DC, Rated current (per signal path): 125 mA	4050118323535	1 pc(s).
TIAL F20	1463550000	TERMSERIES, Adapter, 20- pole plug according to DIN EN 60603-13, long locking lever, Number of signal paths: 16, Rated voltage : 24 V DC, Rated current (per signal path): 60 mA	4050118331783	1 pc(s).
TIA SUBD 15S	1463530000	TERMSERIES, Adapter, Sub- D, 15-pole, DIN 41652 / IEC 60807, Number of signal paths: 8, Rated voltage : 24 V DC, Rated current (per signal path): 125 mA	4050118323542	1 pc(s).

**TERMSERIES
TOS 24VDC 24VDC2A**

Weidmüller Interface GmbH & Co. KG
Klingenbergstraße 16
D-32758 Detmold
Germany
Fon: +49 5231 1429-0
Fax: +49 5231 14292083
www.weidmueller.com

Accessories

Crosshead screwdriver Phillips

Crosshead screwdriver, Phillips, SDK PH DIN 5262, ISO 8764/2-PH, output to ISO 8764-PH, ChromTop tip, SoftFinish grip



General ordering data

Type	Order No.	Version	GTIN (EAN)	Qty.
SDK PH0	9008470000	Screwdriver, Blade width (B): 3 mm, Blade length: 60 mm	4032248056460	1 pc(s).

Slotted screwdriver

VDE insulated screwdriver sets, for working on live parts up to 1000 V AC and 1500 V DC, DIN EN 60900. IEC 900. Each piece is "GS" safety tested. Blade made from fully hardened, high-alloy chromium-vanadium-molybdenum steel, gun-metal finish.



General ordering data

Type	Order No.	Version	GTIN (EAN)	Qty.
SDIS SL 0.6X3.5X100	1274660000	Assembly tool, Blade width (B): 3.5 mm, Blade length: 100 mm, Blade thickness (A): 0.6 mm	4050118072631	1 pc(s).

**TERMSERIES
TOS 24VDC 24VDC2A**

Weidmüller Interface GmbH & Co. KG
 Klingenbergstraße 16
 D-32758 Detmold
 Germany
 Fon: +49 5231 1429-0
 Fax: +49 5231 14292083
 www.weidmueller.com

Accessories
Tools


Tools for removing the sheathing of uncut power cables and outgoing feeders, plus screwdrivers for installing FieldPower components.

General ordering data

Type	Order No.	Version	GTIN (EAN)	Qty.
SDS 0.6X3.5X100	9008330000	Screwdriver, Blade width (B): 3.5 mm, Blade length: 100 mm, Blade thickness (A): 0.6 mm	4032248056286	1 pc(s).

Cross-connector


TERMSERIES accessories include:

- Spare relay
- Base
- Partition plates
- Cross-connections
- Power-feed modules

General ordering data

Type	Order No.	Version	GTIN (EAN)	Qty.
ZQV 1.5N/ R6.4/2 SW	1446040000	TERMSERIES, Cross- connector	4050118251067	10 pc(s).
ZQV 1.5N/ R6.4/19 SW	1391600000	TERMSERIES, Cross- connector	4050118191806	10 pc(s).
ZQV 1.5N/ R6.4/2 RT	1446090000	TERMSERIES, Cross- connector	4050118250886	10 pc(s).
ZQV 1.5N/ R6.4/10 SW	1391630000	TERMSERIES, Cross- connector	4050118191776	10 pc(s).
ZQV 1.5N/ R6.4/10 BL	1390350000	TERMSERIES, Cross- connector	4050118190793	10 pc(s).
ZQV 1.5N/ R6.4/2 BL	1446140000	TERMSERIES, Cross- connector	4050118251074	10 pc(s).
ZQV 1.5N/ R6.4/10 GE	1193680000	TERMSERIES, Cross- connector	4032248976454	10 pc(s).
ZQV 1.5N/ R6.4/19 GE	1193690000	TERMSERIES, Cross- connector	4032248976645	10 pc(s).
ZQV 1.5N/ R6.4/19 RT	1391610000	TERMSERIES, Cross- connector	4050118191783	10 pc(s).
ZQV 1.5N/ R6.4/10 RT	1391640000	TERMSERIES, Cross- connector	4050118191660	10 pc(s).

Creation date December 31, 2017 1:48:52 PM CET

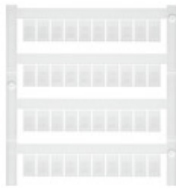
TERMSERIES TOS 24VDC 24VDC2A

Weidmüller Interface GmbH & Co. KG
 Klingenbergstraße 16
 D-32758 Detmold
 Germany
 Fon: +49 5231 1429-0
 Fax: +49 5231 14292083
 www.weidmueller.com

Accessories

ZQV 1.5N/ R6.4/2 GE	1193670000	TERMSERIES, Cross- connector	4032248976638 10 pc(s).
ZQV 1.5N/ R6.4/19 BL	1391620000	TERMSERIES, Cross- connector	4050118191813 10 pc(s).

Blank



WS markers are the perfect match for the W-series connectors. Thanks to their system compatibility, the WS tags can also be used with the I-series and the Z-series. The large marking surfaces do not only permit long character strings but also multi-line text. WS markers are ideal for labels with long, customised character strings. Thanks to the proven MultiCard format, printing with laser printer, PrintJet ADVANCED, plotter or MC-Mobilo is possible.

- Can be fitted in strips or individually
- Markers in proven MultiCard format

General ordering data

Type	Order No.	Version	GTIN (EAN)	Qty.
WS 10/6 M MC NE WS	1818400000	WS, Terminal marker, 10 x 6 mm, Pitch in mm (P): 6.00 Weidmueller, Allen-Bradley, White	4032248310876	600 pc(s).

Supply module



TERMSERIES accessories include:

- Spare relay
- Base
- Partition plates
- Cross-connections
- Power-feed modules

General ordering data

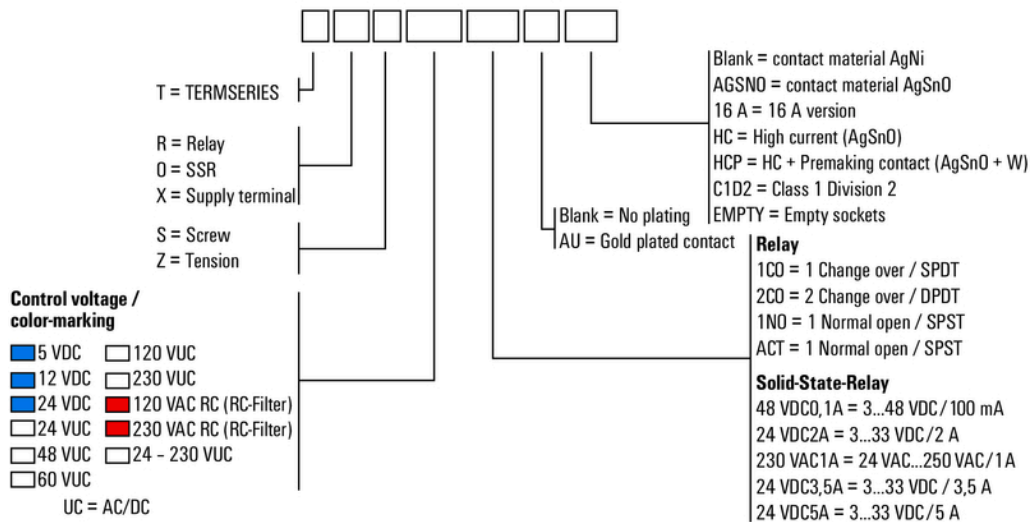
Type	Order No.	Version	GTIN (EAN)	Qty.
TXZ SUPPLY	1240790000	TERMSERIES, Supply module, No. of contacts: 5, Continuous current: 10 A, Tension clamp connection	4050118028164	10 pc(s).
TXS SUPPLY	1240780000	TERMSERIES, Supply module, No. of contacts: 5, Continuous current: 10 A, Screw connection	4050118028140	10 pc(s).

**TERMSERIES
TOS 24VDC 24VDC2A**

Weidmüller Interface GmbH & Co. KG
 Klingenbergstraße 16
 D-32758 Detmold
 Germany
 Fon: +49 5231 1429-0
 Fax: +49 5231 14292083
 www.weidmueller.com

Drawings

Miscellaneous



Type codes