

6

5

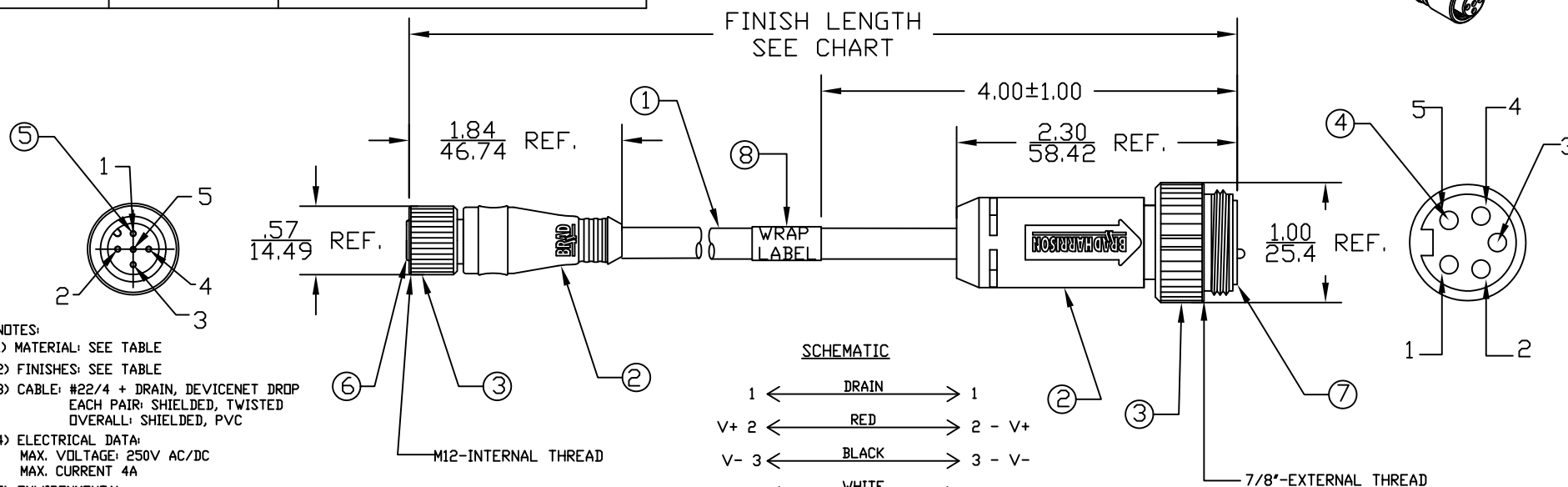
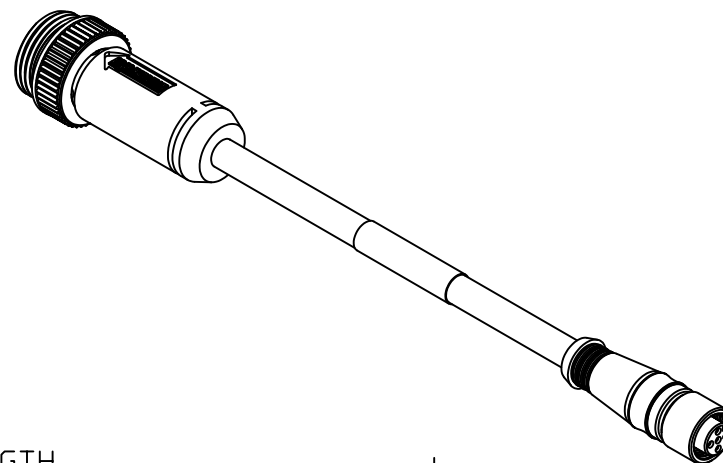
4

3

2

1

MATERIAL NUMBER	ENGINEERING NUMBER	FINISHED LENGTH
1300390154	DND21A-M003	.98' +.75" -0 [1.3M +19.1 -0]
1300390155	DND21A-M005	1.64' +1.75" -0 [1.5M +44.5 -0]
1300390157	DND21A-M010	3.28' +2.19" -0 [1.0M +55.6 -0]
1300390159	DND21A-M020	6.56' +3.50" -0 [2.0M +88.9 -0]
1300390164	DND21A-M030	9.84' +3.50" -0 [3.0M +88.9 -0]
1300390165	DND21A-M040	13.12' +6.50" -0 [4.0M +165.1 -0]
1300390166	DND21A-M050	16.40' +6.50" -0 [5.0M +165.1 -0]
1300390167	DND21A-M060	19.69' +6.50" -0 [6.0M +165.1 -0]
1300390032	DND21A-M080	26.25' +12.50" -0 [8.0M +317.5 -0]
1300390169	DND21A-M100	32.81' +12.50" -0 [10.0M +317.5 -0]
1300390518	DND21A-M150	49.21' +24.50" -0 [15.0M +622.3 -0]
1300390170	DND21A-M200	65.62' +24.50" -0 [20.0M +622.3 -0]



NOTES:

- 1) MATERIAL: SEE TABLE
- 2) FINISHES: SEE TABLE
- 3) CABLE: #22/4 + DRAIN, DEVICENET DROP EACH PAIR: SHIELDED, TWISTED OVERALL: SHIELDED, PVC
- 4) ELECTRICAL DATA:
MAX. VOLTAGE: 250V AC/DC
MAX. CURRENT 4A
- 5) ENVIRONMENTAL:
PROTECTION IP67
TEMPERATURE RANGE: -20°C TO 80°C
- 6) WRAP LABEL IS MARKED WITH P/N, DATE CODE, VOLTAGE & AMPERAGE.
- 7) ASSEMBLY IS ROHS COMPLIANT.

ITEM	QTY.	DESCRIPTION	MATERIAL	FINISH
8	1	LABEL	PLASTIC FILM	BLACK/YELLOW
7	1	INSERT(MIN)	PVC	GREY
6	1	INSERT(MICRO)	NYLON	BLACK
5	5	PIN CONTACT	COPPER ALLOY	GOLD PLATED
4	5	SOCKET CONTACT	COPPER ALLOY	GOLD PLATED
3	2	COUPLING NUT	ZINC DIE-CAST	BLACK
2	1	OVERMOLD	PVC	GRAY
1	1	DEVICENET DROP CABLE	PVC JACKET	GRAY

RELEASE	EC NO: WNA2010-0410	QUALITY SYMBOLS	△=0
	DRWN: TWOLDEGE 2010/01/11		▽=0
	CHKD: BWOODMAN		
	APPR: JFMURPHY 2010/01/20		
A	DESCRIPTION		

	GENERAL TOLERANCES (UNLESS SPECIFIED)	
	mm	INCH
4 PLACES	±---	±---
3 PLACES	±---	±.005
2 PLACES	±0.13	±.010
1 PLACE	±0.25	±.020
ANGULAR ±1/2°		
DRAFT WHERE APPLICABLE MUST REMAIN WITHIN DIMENSIONS		

DIMENSION STYLE		SCALE	DESIGN UNITS	THIRD ANGLE PROJECTION
IN/MM		1:1	INCH	
DRAWN BY	DATE	TITLE		
---	---	MINRO/MIN CHANGE D-NET		
CHECKED BY	DATE	5P MA/FE ST/ST DROP		
BWOODMAN	---	22/4AWG +DRAIN GREY PVC		
APPROVED BY	DATE	MOLEX INCORPORATED		
JFMURPHY	2010/01/20	DOCUMENT NO.		
MATERIAL NO.		SD-130039-020		SHEET NO.
SIZE				1 OF 1
A	THIS DRAWING CONTAINS INFORMATION THAT IS PROPRIETARY TO MOLEX INCORPORATED AND SHOULD NOT BE USED WITHOUT WRITTEN PERMISSION			