

PLEASE CHECK WWW.MOLEX.COM FOR LATEST PART INFORMATION

Part Number: [1040922000](#)
Status: **Active**
Description: IllumiMate™ 1.25mm Pitch Wire-to-Board Crimp Housing, Right-Angle Single Row, 20 Circuits

Documents:

[3D Model](#) [Packaging Specification PK-104092-001-001 \(PDF\)](#)
[Drawing \(PDF\)](#) [RoHS Certificate of Compliance \(PDF\)](#)
[Product Specification PS-104091-001-001 \(PDF\)](#)

General

Product Family Crimp Housings
Series [104092](#)
Application Signal, Wire-to-Board
Product Name IllumiMate™
UPC 884982407121

Physical

Circuits (maximum) 20
Color - Resin Natural
Gender Receptacle
Glow-Wire Compliant No
Keying to Mating Part None
Lock to Mating Part Yes
Material - Resin High Temperature Thermoplastic
Net Weight 0.470/g
Number of Rows 1
Packaging Type Embossed Tape on Reel
Panel Mount No
Pitch - Mating Interface 1.25mm
Polarized to Mating Part Yes
Temperature Range - Operating -25°C to +130°C

Electrical

Current - Maximum per Contact 1.5A

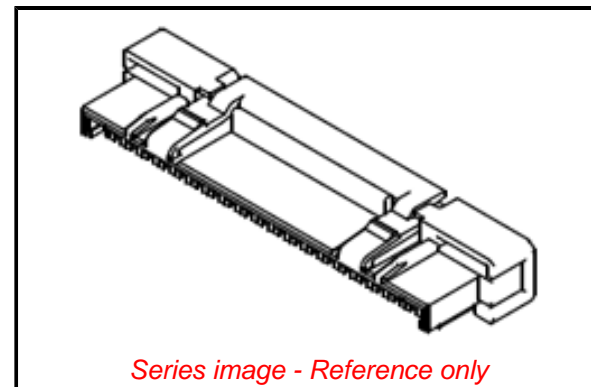
Solder Process Data

Lead-freeProcess Capability N/A

Material Info

Reference - Drawing Numbers

Packaging Specification PK-104092-001-001
Product Specification PS-104091-001-001
Sales Drawing SD-104092-001



EU ELV

Not Relevant

EU RoHS

Compliant

REACH SVHC

Not Contained Per -
ED/21/2016 (20 June
2016)

Halogen-Free

Status

Low-Halogen

Need more information on product environmental compliance?

Email productcompliance@molex.com
Please visit the [Contact Us](#) section for any non-product compliance questions.

| | |
|-----------------|---------------|
| China ROHS | Green Image |
| ELV | Not Relevant |
| RoHS Phthalates | Not Contained |

Search Parts in this Series

[104092 Series](#)

Mates With

[104091-2020](#)

Use With

[104521-6001](#)

Mouser Electronics

Authorized Distributor

Click to View Pricing, Inventory, Delivery & Lifecycle Information:

[Molex:](#)

[104092-2000](#)