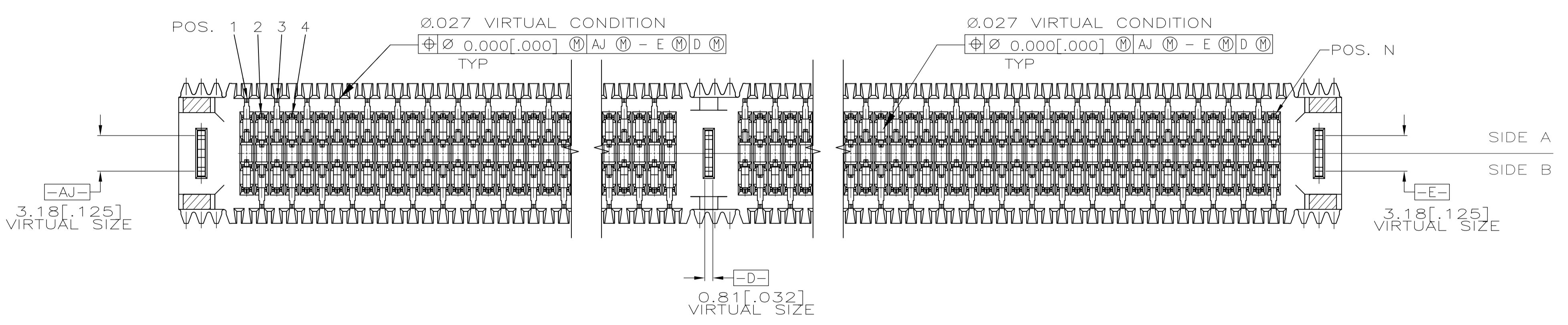
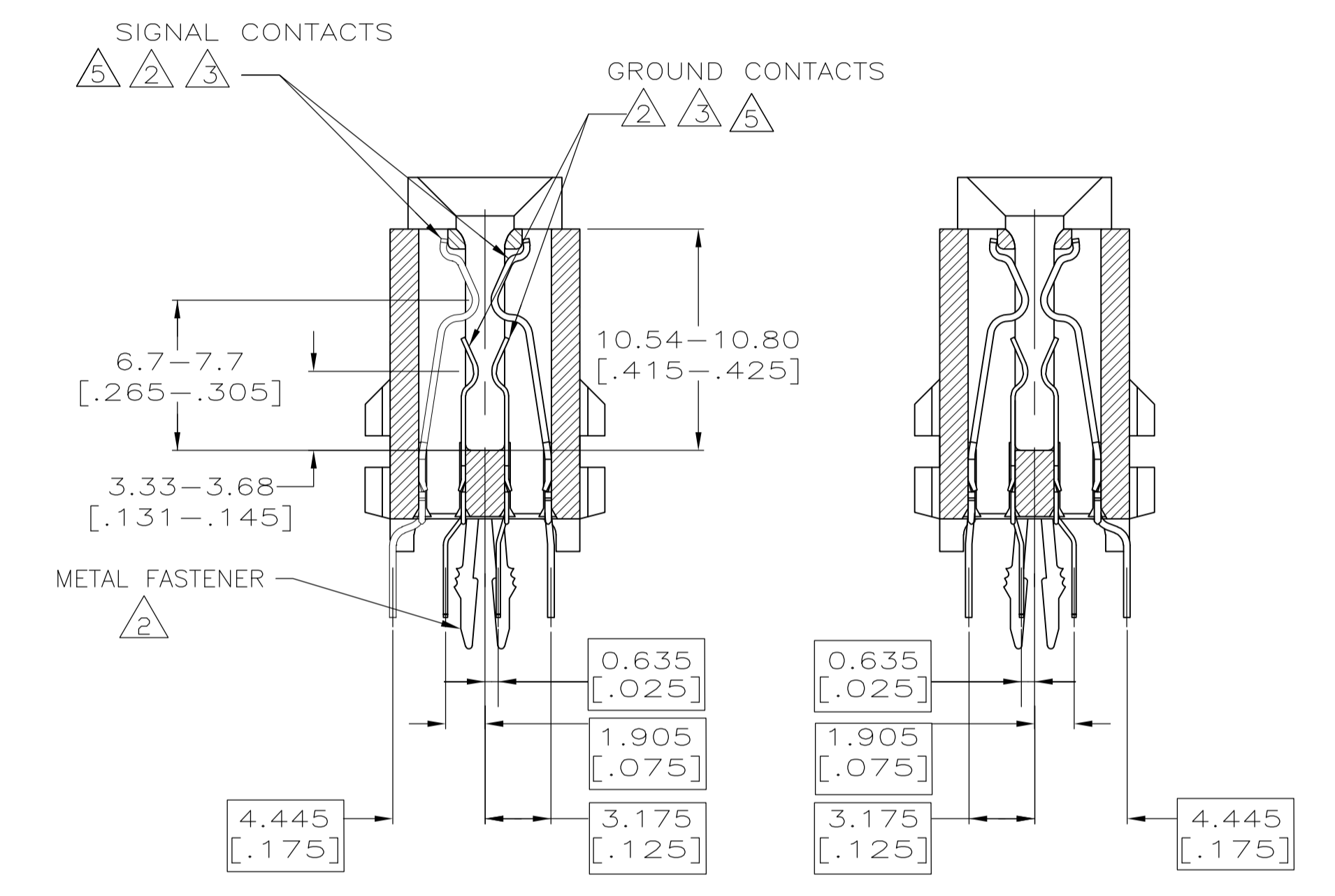
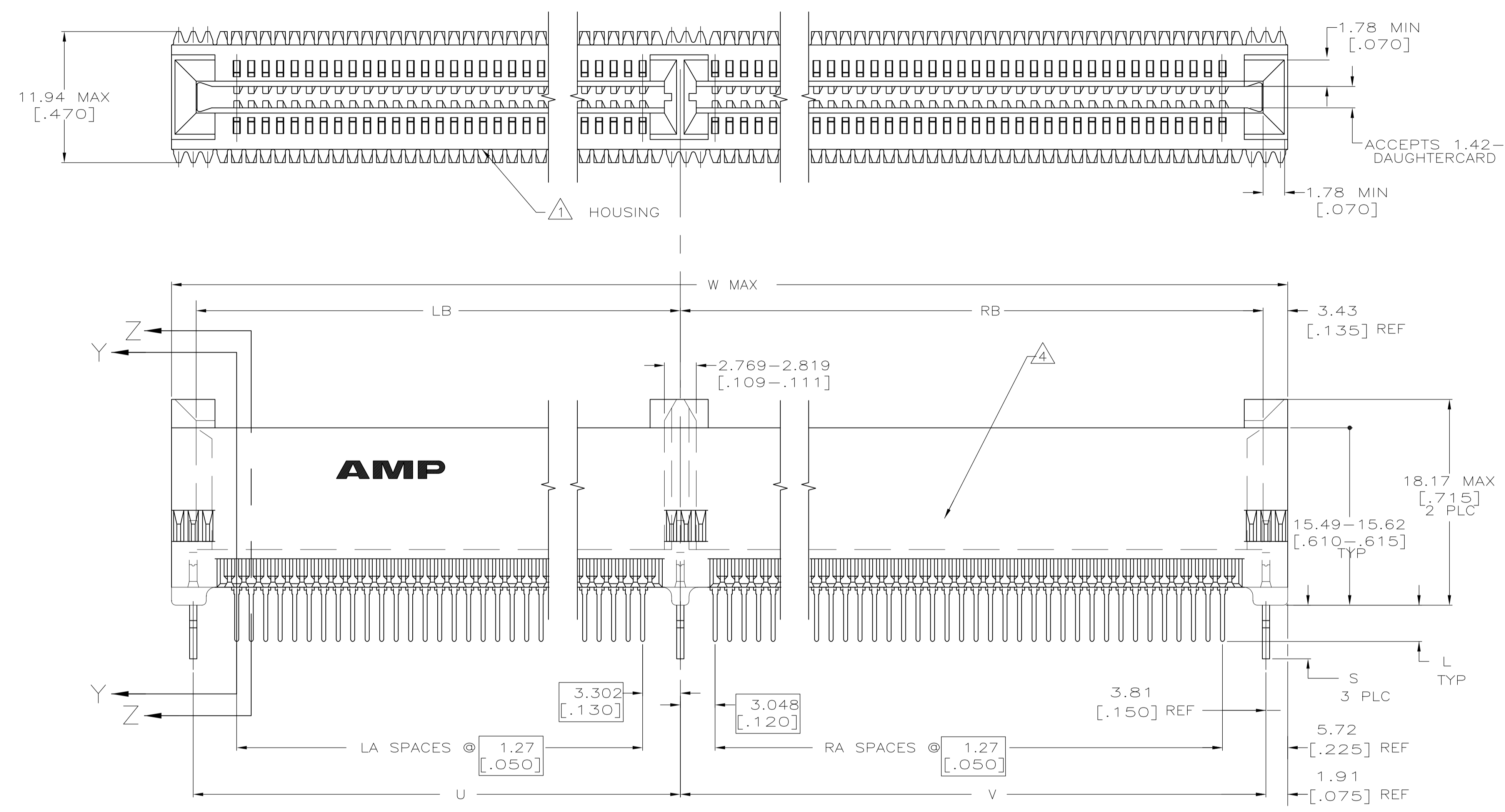


THIS DRAWING IS UNPUBLISHED. RELEASED FOR PUBLICATION. BY TYCO ELECTRONICS CORPORATION. ALL RIGHTS RESERVED.

LOC		DIST		REVISIONS		
TR	LYR	DATE	DNW	APVD	DESCRIPTION	
C		190CT07	LAM	PR	ECO-07-024387	



- MATERIAL: PCT, COLOR- BROWN.
- UPPER & LOWER CONTACT MATERIAL: PHOSPHOR BRONZE PER CDA C51100. FASTENER MATERIAL: BRASS
- CONTACT FINISH:
ON MATING SURFACES-
0.00076 [.000030] MIN GOLD PLATE OVER
0.00127 [.000050] MIN NICKEL.
ON SOLDER LEADS-
0.00254 [.000100] MIN TIN-LEAD OVER 0.00127 [.000050] MIN NICKEL
- PART NUMBER AND DATE CODE MARKED ON THIS SURFACE.
- CONTACT AREA LUBRICATED WITH BELLCORE APPROVED LUBRICANT. TECHNICAL REFERENCE GR-1217-CORE. ISSUE 1, NOVEMBER 1995.

SUPERSEDED BY 1658664-2

83.69 [3.295]	83.95-84.20 [3.305-3.315]	61	66.17 [2.605]	66.42-66.68 [2.615-2.625]	47	155.35 [6.116]	84.25-84.40 [3.317-3.323]	66.73-66.88 [2.627-2.633]	66.81 [2.630]	4.44-4.95 [.175-.195]	2.29-2.79 [.090-.110]	440	110	1658664-2
83.69 [3.295]	83.95-84.20 [3.305-3.315]	61	66.17 [2.605]	66.42-66.68 [2.615-2.625]	47	155.35 [6.116]	84.25-84.40 [3.317-3.323]	66.73-66.88 [2.627-2.633]	66.81 [2.630]	4.44-4.95 [.175-.195]	2.29-2.79 [.090-.110]	440	110	1658664-1
RC	RB	RA	LC	LB	LA	W	V	U	T	S	L	NO. OF TOTAL POSN	NO. OF QUAD POSN	PART NUMBER

THIS DRAWING IS A CONTROLLED DOCUMENT. DIMENSIONS: mm. TOLERANCES UNLESS OTHERWISE SPECIFIED: 0 PLC ±, 1 PLC ±, 2 PLC ±, 3 PLC ±.13 [.005], 4 PLC ±. MATERIAL: SEE NOTE 1. ANGLES: FINISH: SEE NOTE 3. WEIGHT: -. CUSTOMER DRAWING. SCALE: 4:1. SHEET: 1 OF 2. REV: C.

DWN: R.GRZYBOWSKI 244PR03
DOK: M.PERCHERKE 244PR03
APVD: M.PERCHERKE 244PR03
NAME: M.PERCHERKE
PRODUCT SPEC: 108-1863
APPLICATION SPEC: (FOR .062 DAUGHTER BOARD)
Tyco Electronics Corporation
Harrisburg, PA 17105-3608
CONNECTOR ASSEMBLY, AMP SEC-Z
108-1863
A1 00779 © 1658664
SCALE: 4:1 SHEET: 1 OF 2 REV: C

