

This drawing involves proprietary design rights of Tyco Electronics Corporation, and all design, manufacture, reproduction, use and sale rights regarding the same are expressly reserved. It is submitted for a specific purpose and the recipient by accepting this drawing, assumes custody and control and agrees to take reasonable precautions; (a) that this drawing will not be copied and reproduced, in whole or in part, or its contents revealed in any manner, or to any person except to meet the purpose for which it was delivered and (b) that any special features peculiar to this design will not be incorporated in other projects without the expressed written permission of Tyco Electronics Corporation.

REVISIONS

EC	REV	DESCRIPTION	DATE
—	A	INITIAL RELEASE	10/10/03
—	B	CHANGED GUIDE SOCKET TO GUIDE PIN AND SWITCH IT'S POSITION FROM RIGHT TO LEFT SIDE. CHANGED CONNECTOR FROM MODULAR TO DEDICATED	10/13/03
—	C	ADDED PART NO. 279-1155-00400 AND SWITCHED GUIDE PIN POSITION FROM LEFT TO RIGHT SIDE OF CONNECTOR	11/10/03
0S1Q-0028-05	D	CHANGED CUD TO C-1766477, PREVIOUSLY 999-1185-2 CHANGED CONNECTOR FROM DEDICATED TO MODULAR	01/27/05

9. MODULE INFORMATION

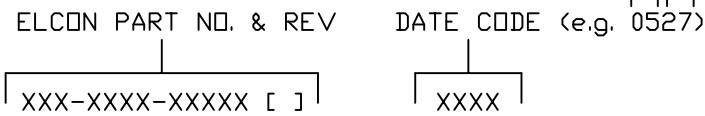
CONNECTOR	TYCO PART NUMBER	ELCON PART NUMBER	CATALOG MODULE #	QTY	SIZE NO.	CONTACT QTY	MATING PIN	MAX. CURRENT (PER CONTACT)	CONTACT SPACING	VOLTAGE RATING*		
SOCKET	1766477-1	279-1155-00200D	FP0204	8	8	8	1.25 X 7.00 [.049 X .276]	35 AMPERES	7.50 [2953]	250 VOLTS		
			FP0403	1	22	24	.64 [025] SQ.	3 AMPERES	2.50 [0984]	125 VOLTS		
			FP0523	1	ACTIVE RIGHT ANGLE GUIDE PIN (19.1mm)							
			FP0500	1	LEFT MOUNTING FLANGE							
			FP0501	1	RIGHT MOUNTING FLANGE							

\*IAW IEC-950

NOTES: UNLESS OTHERWISE SPECIFIED.

- PART NUMBER CHANGES AND OR DESIGN CHANGES AFFECTING ITEM INTERCHANGEABILITY REQUIRE PRIOR ELCON APPROVAL AND AUTHORIZATION BY REVISION TO THIS DRAWING.
- MATERIALS:
  - INSULATORS: THERMOPLASTIC, GLASS REINFORCED, COLOR BLACK. UL94V-0 FLAMMABILITY RATED.
  - SOLDER SIGNAL PIN: BRASS ALLOY.
  - POWER CONTACTS: PHOSPHOR BRONZE ALLOY, COPPER ALLOY.
  - CROWN BANDS: BERYLLIUM COPPER ALLOY.
  - GUIDE PIN: BRASS COPPER ALLOY.
- FINISHES:
  - CONTACTS: GOLD PLATED PER MIL-G-45204 TYPE II, CLASS 0, .000030" MIN. THK, OVER NICKEL PLATED PER QQ-N-290, CLASS 2, .000040" MIN. THK. SOLDER TAILS, TIN/LEAD (90/10) PER ASTM B 545, .000100" MIN. THICK.
  - GUIDE PIN: SILVER PLATED PER QQ-S365.
- MOUNTING FLANGES ACCEPT M3 OR NO. 4 SCREWS, (USER SUPPLIED).
- RECOMMENDED PRESSING TOOL PN FIX00308.
- ALL POWER MODULES ARE NON HOT PLUG.
- ITEMS PROVIDED TO THIS SPECIFICATION TO BE PERMANENTLY IDENTIFIED PER THE FOLLOWING IDENTIFIER:

YEAR WEEK

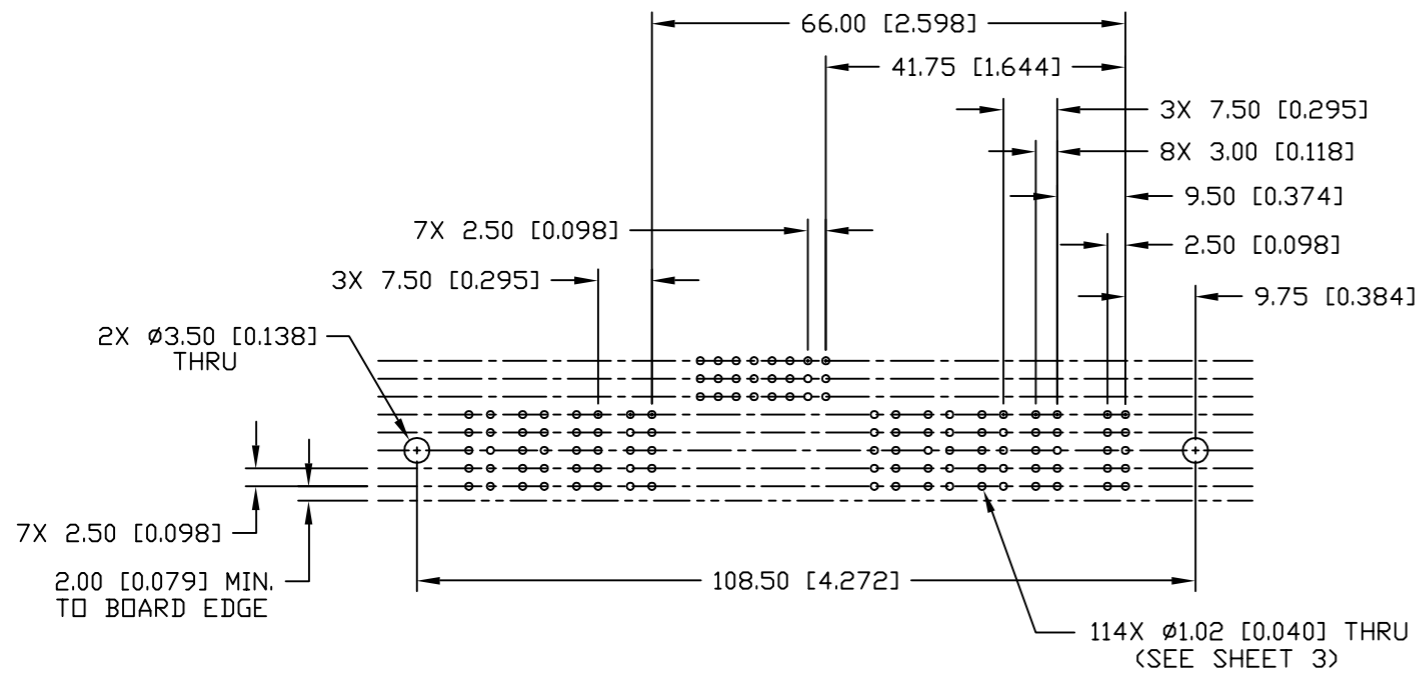
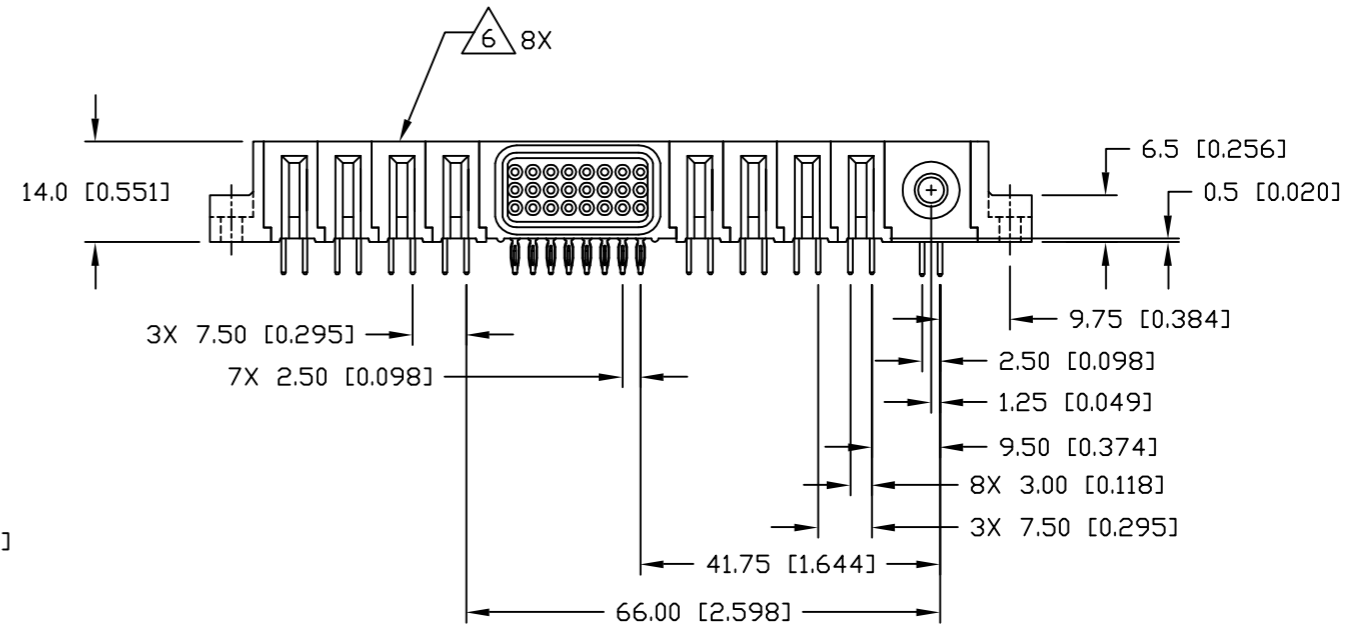
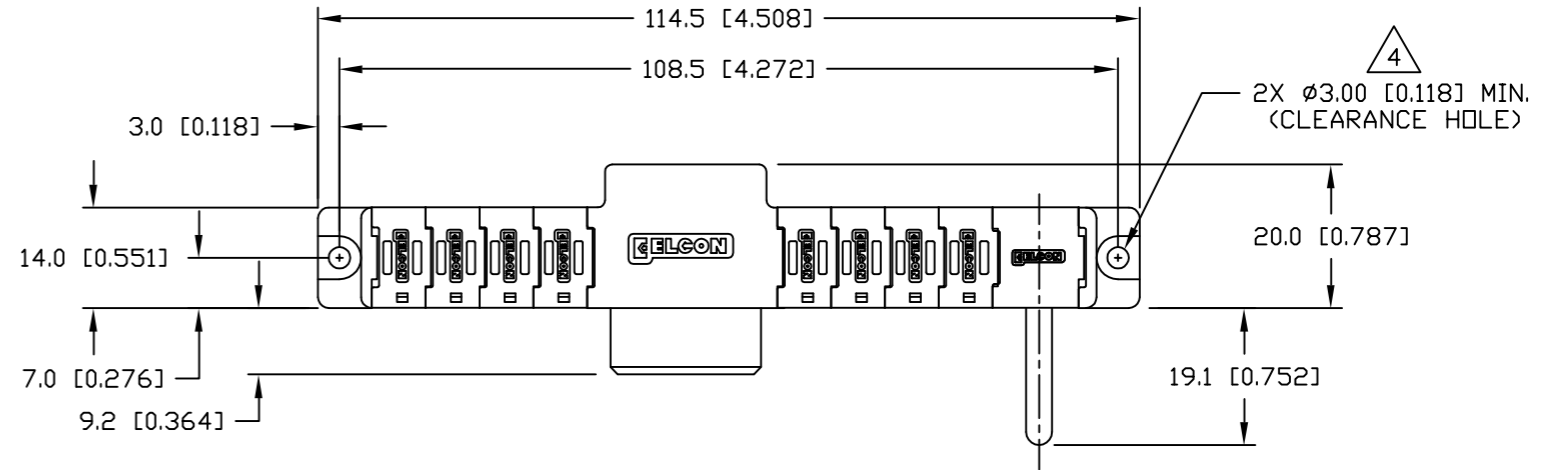
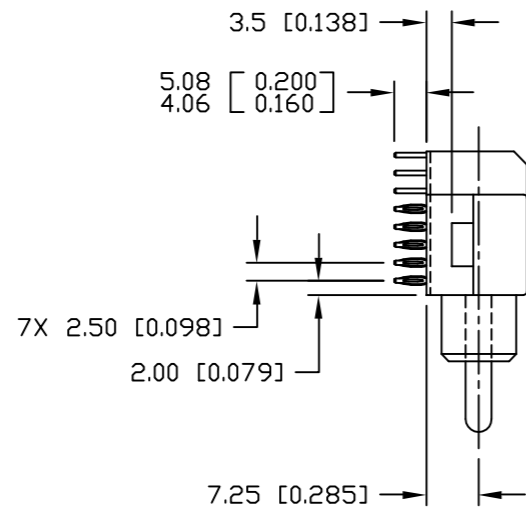


8. THIS CONNECTOR MATES WITH PIN CONNECTOR PN 279-1155-00100.

<p>THIRD ANGLE PROJECTION</p> <p>UNLESS OTHERWISE SPECIFIED DIMENSIONS ARE IN METRIC [INCHES]</p> <p>TOLERANCES</p> <p>ANGLES ± .5°</p> <p>DECIMALS</p> <p>.XX ± .25 [.010]</p> <p>.X ± .5 [.020]</p>	DRAWN	DATE	Tyco Electronics Corporation Menlo Park, Ca 94025 
	R. F. A.	01/27/05	
	CHECKED		
	APPROVED		
	APPROVED		TITLE
	D. CHAU	02/02/05	SOCKET CONNECTOR, FLATPAQ RIGHT ANGLE, COMPLIANT TAILS PN: 279-1155-00200D
	M. ALIM	02/03/05	SIZE DWG NUMBER
	ACAD FILE NUMBER	C1766477D.DWG	B C = 1766477
			REV. D
			DWG SCALE 1=1 SH 1 OF 3

This drawing involves proprietary design rights of Tyco Electronics Corporation, and all design, manufacture, reproduction, use and sale rights regarding the same are expressly reserved. It is submitted for a specific purpose and the recipient by accepting this drawing, assumes custody and control and agrees to take reasonable precautions; (a) that this drawing will not be copied and reproduced, in whole or in part, or its contents revealed in any manner, or to any person except to meet the purpose for which it was delivered and (b) that any special features peculiar to this design will not be incorporated in other projects without the expressed written permission of Tyco Electronics Corporation.

REVISIONS			
EC	REV	DESCRIPTION	DATE
		SEE SHEET 1	

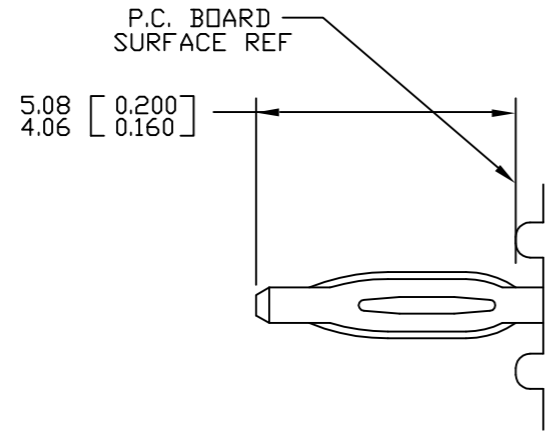


PRINTED CIRCUIT LAYOUT

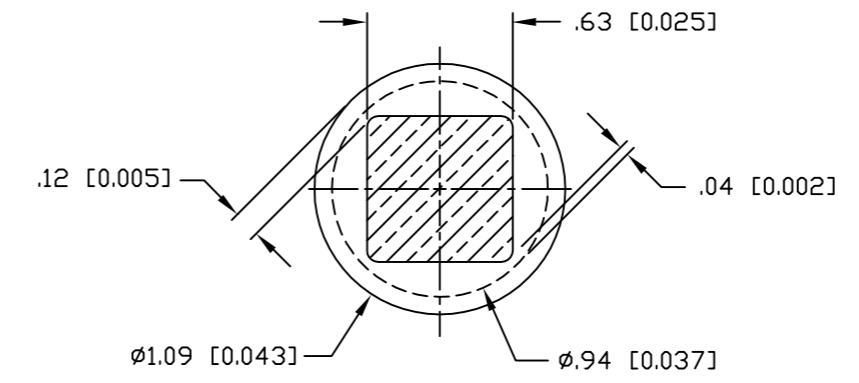
MM INCH  THIRD ANGLE PROJECTION UNLESS OTHERWISE SPECIFIED DIMENSIONS ARE IN METRIC [INCHES] TOLERANCES ANGLES ± .5° DECIMALS .XX ± .25 [.010] .X ± .5 [.020]	DRAWN R. F. A.	DATE 01/27/05	Tyco Electronics Corporation Menlo Park, Ca 94025 		
	CHECKED		TITLE		
	APPROVED		SOCKET CONNECTOR, FLATPAQ RIGHT ANGLE, COMPLIANT TAILS PN: 279-1155-00200D		
	APPROVED		SIZE	DWG NUMBER	REV.
	D. CHAU	02/02/05	B	C = 1766477	D
	DCA APPROVED	02/03/05			
	ACAD FILE NUMBER	C1766477D.DWG			
			DWG SCALE	1 = 1	SH 2 OF 3

This drawing involves proprietary design rights of Tyco Electronics Corporation, and all design, manufacture, reproduction, use and sale rights regarding the same are expressly reserved. It is submitted for a specific purpose and the recipient by accepting this drawing, assumes custody and control and agrees to take reasonable precautions; (a) that this drawing will not be copied and reproduced, in whole or in part, or its contents revealed in any manner, or to any person except to meet the purpose for which it was delivered and (b) that any special features peculiar to this design will not be incorporated in other projects without the expressed written permission of Tyco Electronics Corporation.

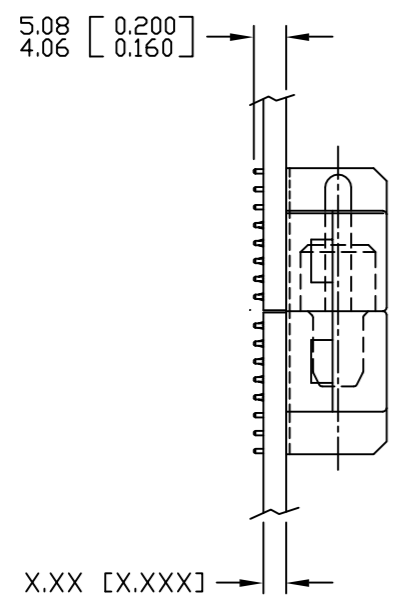
REVISIONS		DESCRIPTION	DATE
EC	REV	SEE SHEET 1	



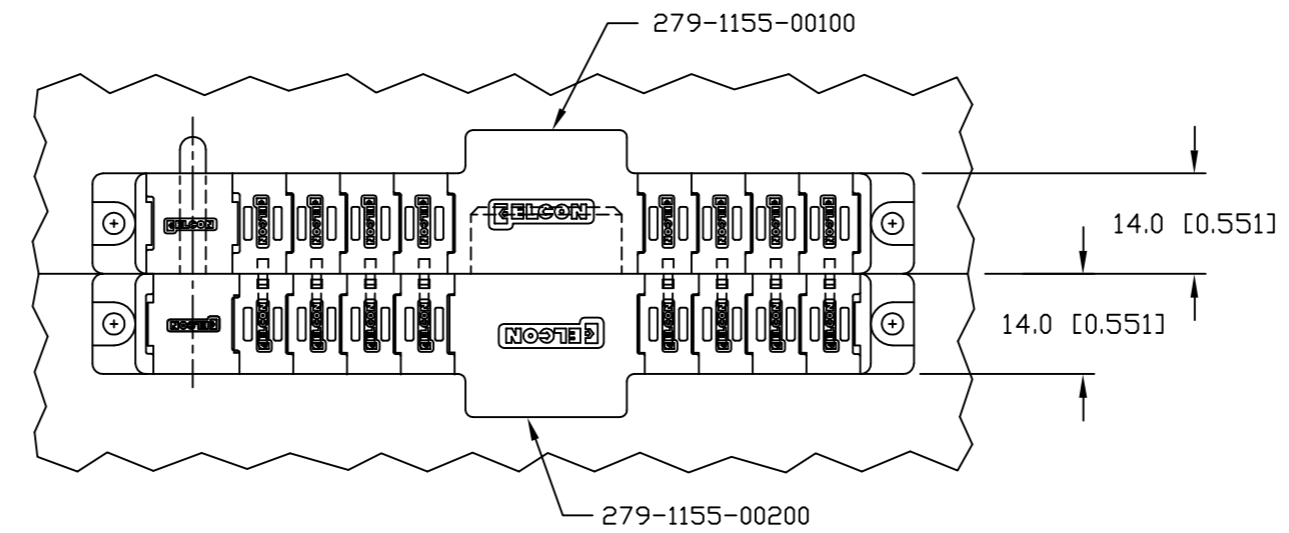
COMPLIANT PIN DETAIL  
 INSERTION/EXTRACTION FORCES  
 MAXIMUM PUSH-IN: 133.3N PER PIN [30 LBS]  
 MINIMUM PUSH-OUT: 44.4N PER PIN [10 LBS]



SOLDER TERMINATION AREA  
 RECOMMENDED PRINTED CIRCUIT HOLE  
 FINISHED HOLE:  $\phi 1.02 [0.040] \pm .08 [0.003]$   
 DRILLED HOLE:  $\phi 1.15 [0.0453] \pm .013 [0.0005]$   
 COPPER PLATE: .025 [0.0010] MINIMUM (PER SURFACE)  
 TIN PLATE: .008 [0.0003] MINIMUM (PER SURFACE)



MATED CONDITION



← MM INCH → OR MM [INCH]  THIRD ANGLE PROJECTION UNLESS OTHERWISE SPECIFIED DIMENSIONS ARE IN METRIC [INCHES] TOLERANCES ANGLES ± .5° DECIMALS .XX ± .25 [.010] .X ± .5 [.020]	DRAWN R. F. A. CHECKED APPROVED APPROVED D. CHAU DCA APPROVED M. ALIM ACAD FILE NUMBER C1766477D.DWG	DATE 01/27/05  02/02/05 02/03/05	 Tyco Electronics Corporation Menlo Park, Ca 94025  TITLE USER INFORMATION COMPLIANT TAIL TERMINATION AND MATED CONDITION SIZE DWG NUMBER B C = 1766477 REV. D
	DWG SCALE 1 = 1 SH 3 OF 3		