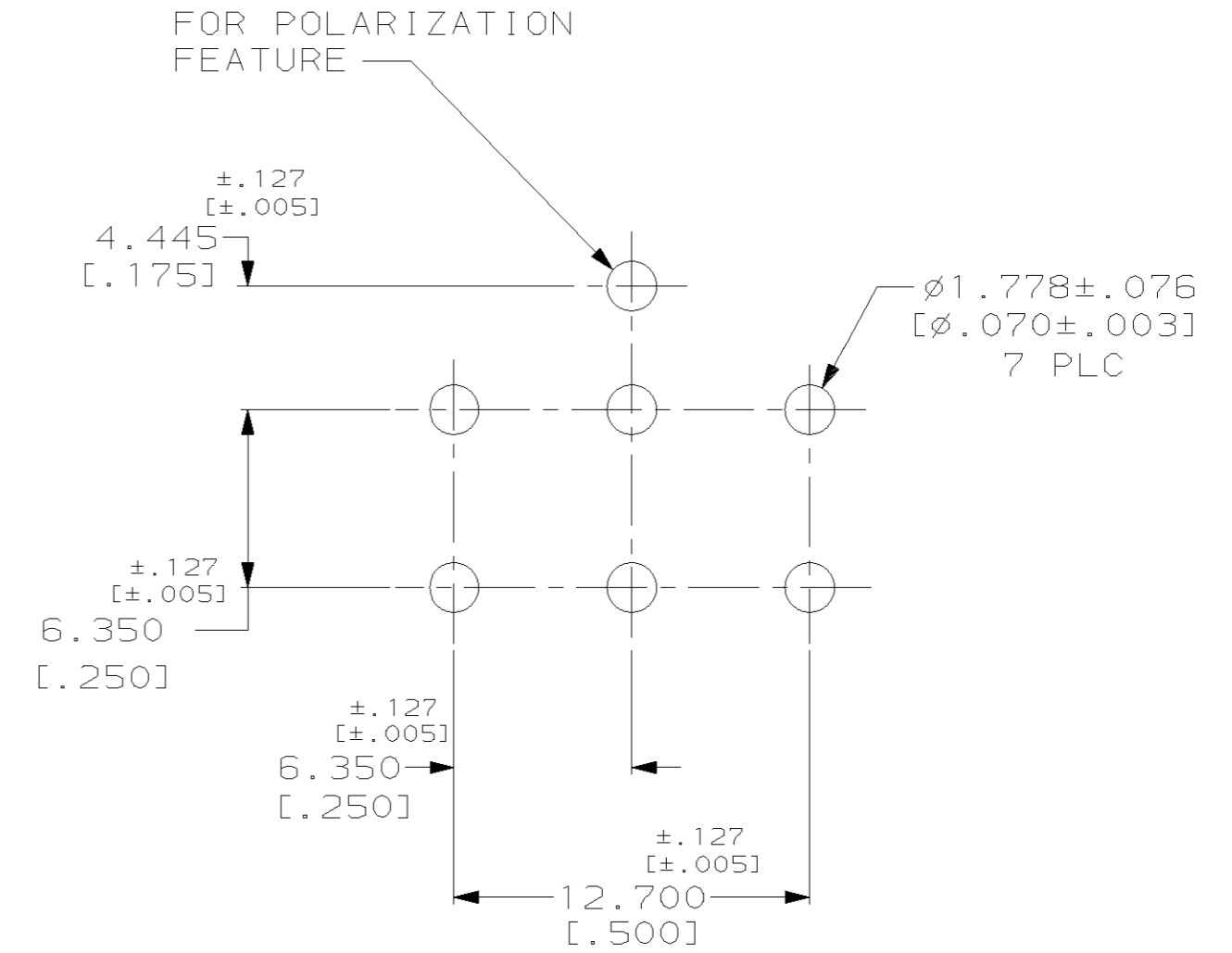
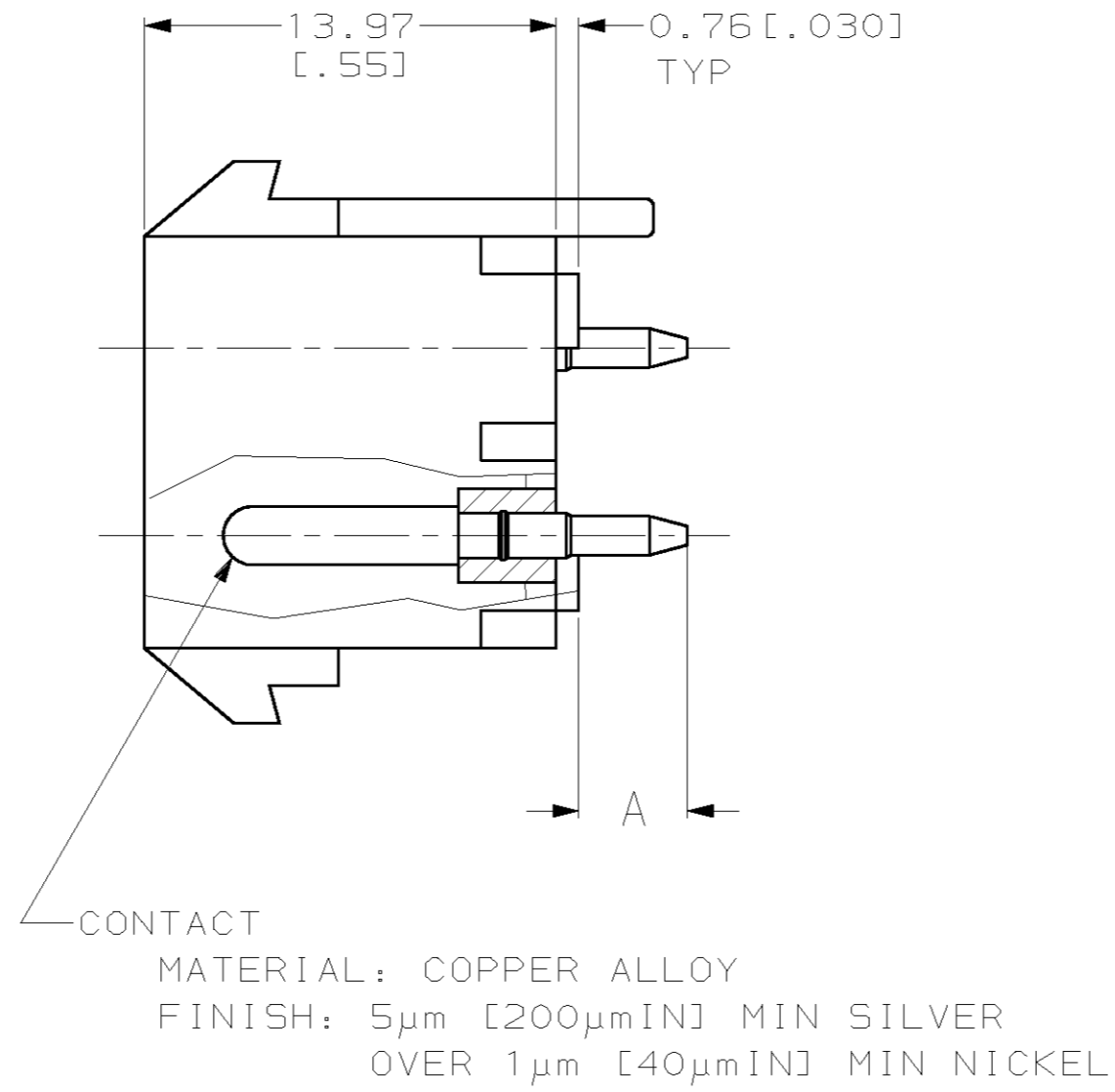
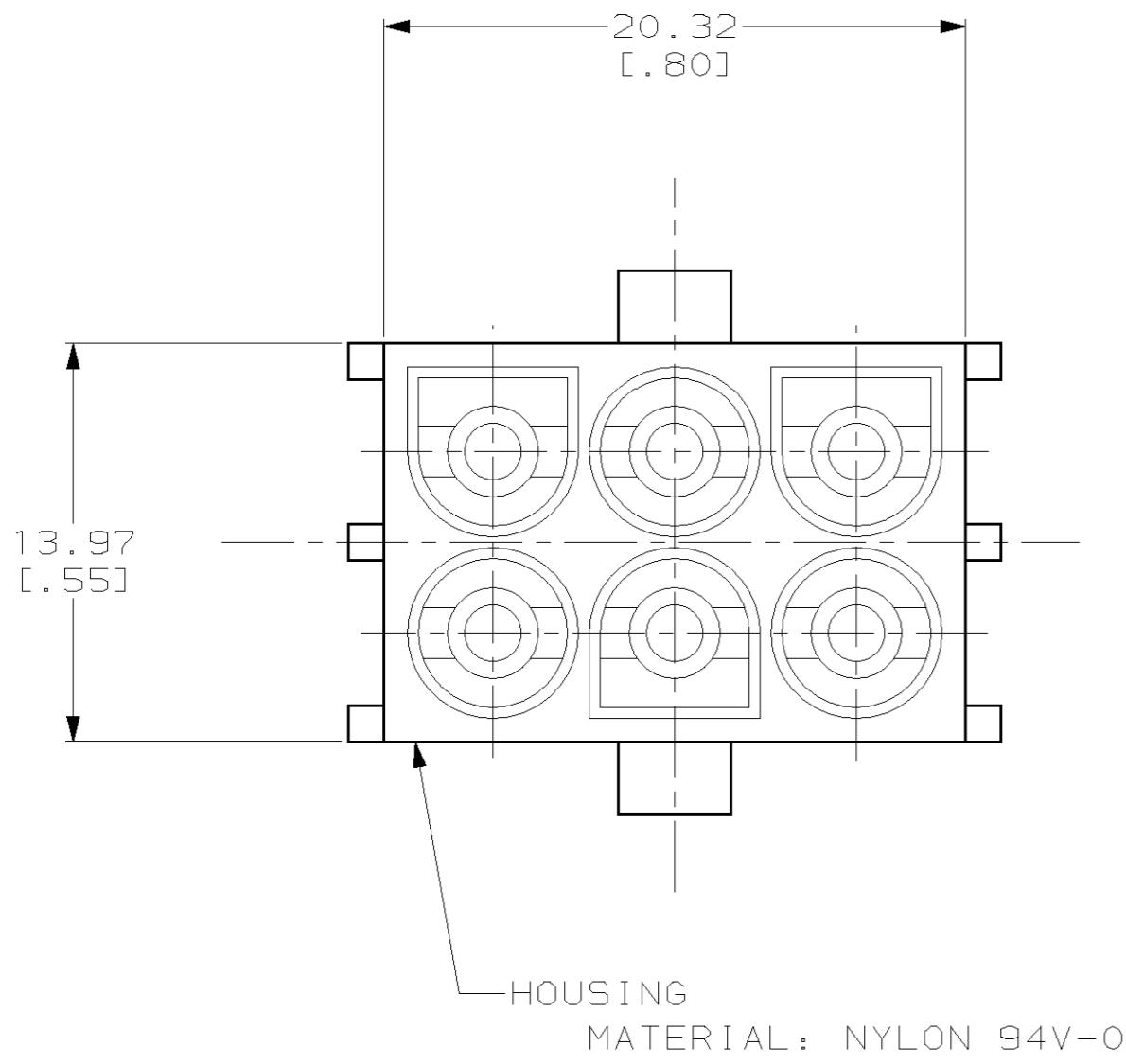


THIS DRAWING IS UNPUBLISHED. RELEASED FOR PUBLICATION .19
 © COPYRIGHT 19 BY AMP INCORPORATED. ALL RIGHTS RESERVED.

LOC		DIST		REVISIONS			
P	LTR	DESCRIPTION		DATE	DWN	APVD	
FT	0	H	REVISE PER ECN 063B-0124-00		26APR00	SU	GS

- MATES WITH MATE-N-LOK II PLUG CONNECTOR USING PART NUMBER 193797-1 OR 193842-1 SOCKET CONTACTS.
- ALL DIMENSIONS ARE REFERENCE ONLY EXCEPT P.C. LAYOUT.



RECOMMENDED LAYOUT FOR P.C. BOARD

TUBE	1.57 [.062]	3.68 [.145]	194002-3
BULK	3.17 [.125]	5.20 [.205]	194002-2
BULK	1.57 [.062]	3.68 [.145]	194002-1
PACKAGING	PC BOARD THICKNESS	A	PART NUMBER

THIS DRAWING IS A CONTROLLED DOCUMENT FOR AMP INCORPORATED. IT IS SUBJECT TO CHANGE AND THE CONTROLLING ENGINEERING ORGANIZATION SHOULD BE CONTACTED FOR THE LATEST REVISION.		DWN C. M. SVOBODA 06/SEP/94	AMP Incorporated Harrisburg, PA 17105-3608	
DIMENSIONS: mm [in]		CHK 16/MAY/94	NAME	
TOLERANCES UNLESS OTHERWISE SPECIFIED: 0 PLC ±- 1 PLC ±- 2 PLC ±- 3 PLC ±- 4 PLC ±- ANGLES ±- FINISH ±-		APVD 16/MAY/94	PRODUCT SPEC	
MATERIAL		APPLIC. SPEC	HIGH CURRENT VERT. PIN HEADER ASSY; MATE-N-LOK II, 6 CIRCUIT	
		WEIGHT	SIZE A2	CAGE CODE 00779
		CUSTOMER DRAWING	DRAWING NO. C-194002	SCALE
			SHEET 1	OF 1
			REV H	