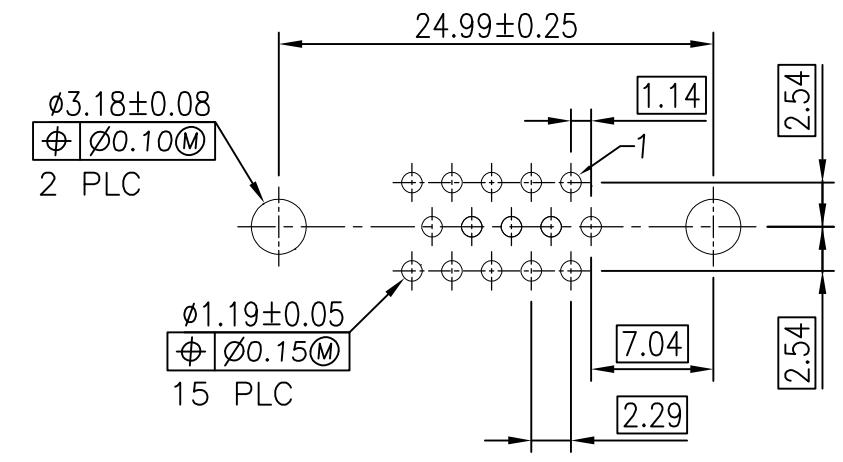
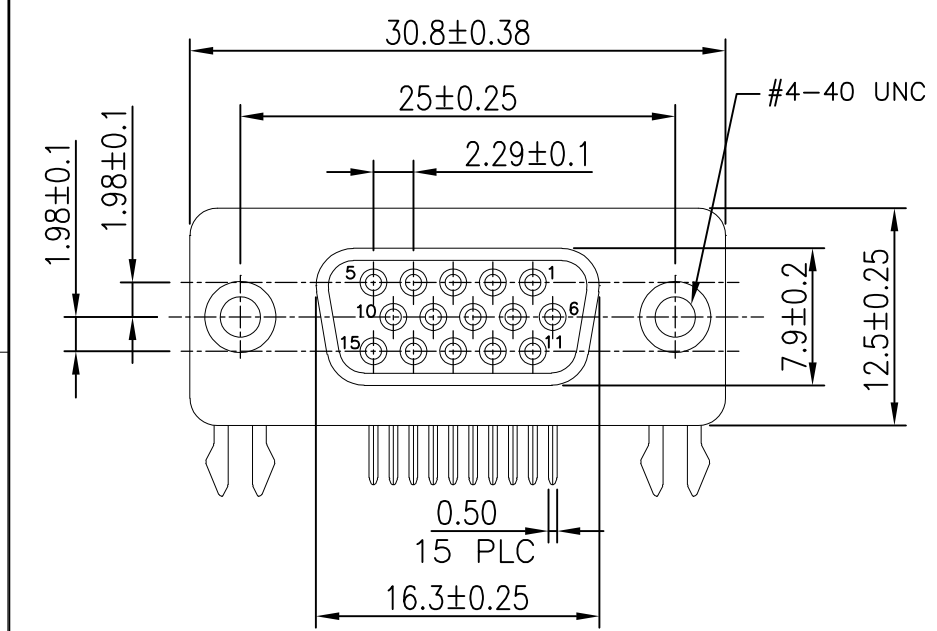


THIS DRAWING IS UNPUBLISHED. RELEASED FOR PUBLICATION  
 © COPYRIGHT - BY - ALL RIGHTS RESERVED.

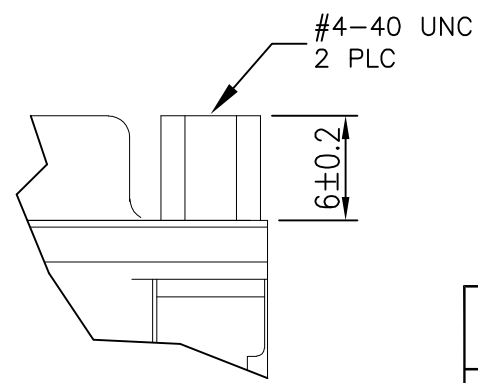
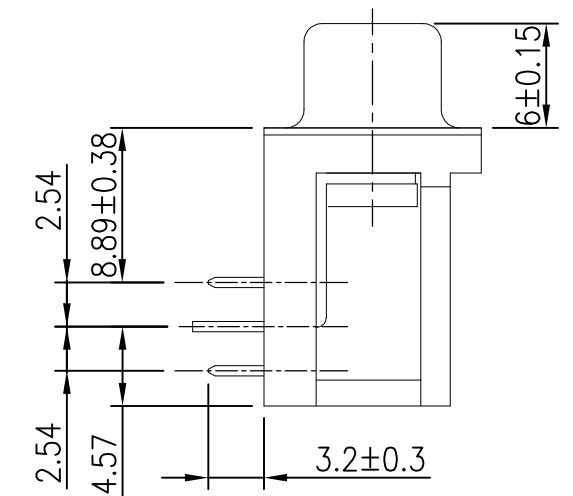
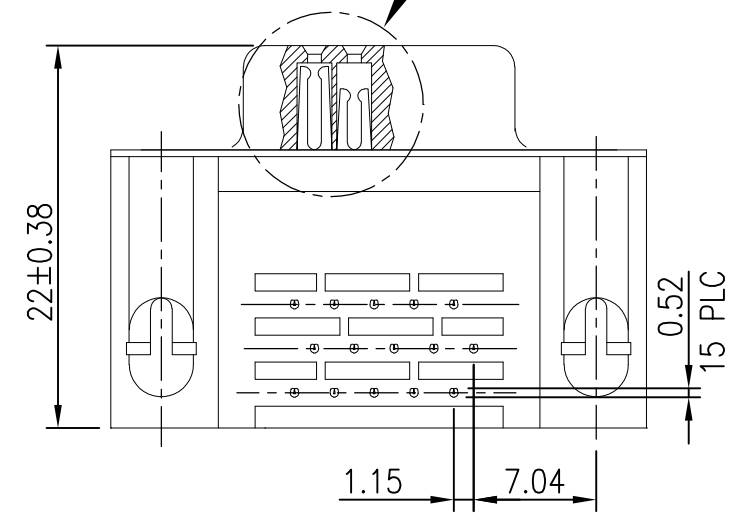
LOC		DIST		REVISIONS			
DW		P	LTR	DESCRIPTION	DATE	DWN	APVD
			C1	REVISED PER ECO-11-005301	11APR11	RK	HMR



RECOMMENDED P.C. BOARD LAYOUT (TOP VIEW)

- NOTES :
- MATERIAL :
    - HOUSING: THERMOPLASTIC, NY9T, UL 94V-0  
COLOR : BLUE/300U OR BLACK
    - CONTACTS: PHOPHOR BRONZE
    - SHELL: SPCC
    - BOARDLOCK : BRASS
    - RIVET: BRASS.
  - FINISH:
    - CONTACT:  
GOLD PLATING ON CONTACT AREA,  
2.54µm[100µ"]MIN. BRIGHT TIN PLATING ON SOLDER TAIL,  
1.27µm[50µ"]MIN. NICKEL UNDERPLATING OVERALL.
    - BOARDLOCK:  
2.54µm[100µ"]MIN. BRIGHT TIN PLATING,  
1.27µm[50µ"]MIN. NICKEL UNDERPLATING OVERALL.
    - SHELL: NICKEL PLATED
    - RIVET: NICKEL PLATED
  - NET WEIGHT: 9.0 g/pcs. (W/O SCREWLOCK)  
11.1 g/pcs. (WITH SCREWLOCK)
  - WAVE SOLDER CAPABLE TO 265°C  
PER TE CONNECTIVITY SPEC. 109-202, CONDITION B.
  - RECOMMENDED PCB THICKNESS: 1.6 mm

VIEW THRU PINS 10 & 9



DETAIL Z (W/SCREWLOCKS OPTION)

OBSOLETE	BLACK	0.38µm[15µ"]	W/FEMALE SCREWLOCKS(DETAIL Z)	1-1734347-3
		0.76µm[30µ"]	W/FEMALE SCREWLOCKS(DETAIL Z)	3-1734347-1
OBSOLETE	BLUE 300U.	0.76µm[30µ"]	RIVET, THREADED W/O SCREW	2-1734347-1
		0.38µm[15µ"]	W/FEMALE SCREWLOCKS(DETAIL Z)	1-1734347-2
		0.38µm[15µ"]	RIVET, THREADED W/O SCREW	1734347-2
		GOLD FLASH	W/FEMALE SCREWLOCKS(DETAIL Z)	1-1734347-1
	GOLD FLASH	RIVET, THREADED W/O SCREW	1734347-1	
	HOUSING COLOR	MINIMUM GLD. THK.	FASTENER OPTION	PART NUMBER

THIS DRAWING IS A CONTROLLED DOCUMENT.

DWN S. HOU 25OCT2007	<b>STE</b> TE Connectivity
CHK W.J. KE 25OCT2007	
APVD W.J. KE 25OCT2007	NAME
PRODUCT SPEC 108-57541	RECEPTACLE ASSEMBLY, SZ 1, 15POSN, RT ANG, FRONT METAL SHELL, AMPLIMITE, HD-22
QUALIFICATION TEST REPORT 501-57623	SIZE CAGE CODE DRAWING NO RESTRICTED TO
MATERIAL SEE NOTE	FINISH SEE NOTE
CUSTOMER DRAWING	
SCALE -	SHEET 1 OF 2
REV C1	

4

3

2

1

THIS DRAWING IS UNPUBLISHED.

RELEASED FOR PUBLICATION

ALL RIGHTS RESERVED.

© COPYRIGHT - BY -

LOC  
DWDIST  
/

REVISIONS

P	LTR	DESCRIPTION	DATE	DWN	APVD
		SEE SHEET 1			

URETHANE CUSHION  
(2 PLACES)

TAPE  
(4 PLACES)

AIR CAP SHEET  
(4 PLACES)

COVER

TRAY

NOTES :

1. DIMENSION:

2.1 TRAY: L=320, W=230, H=18.9

2.2 SHIPPING BOX: L=361, W=245, H=272

2. QUANTITY:

2.1 PRIMARY PACKING: 100 PCS/TRAY

2.2 SECONDARY PACKING: 10 TRAYS/SHIPPING BOX(1000PCS)

3. WEIGHT:

3.1 NET WEIGHT: 10.24 Kg (W/SCREWLOCK)

3.2 GROSS WEIGHT: 11.24 Kg (W/SCREWLOCK)

3.3 NET WEIGHT: 8.24 Kg (W/O SCREWLOCK)

3.4 GROSS WEIGHT: 9.24 Kg (W/O SCREWLOCK)

36.1 CM

24.5 CM

27.2 CM

LABEL

THIS DRAWING IS A CONTROLLED DOCUMENT.

DIMENSIONS:

MM

MATERIAL

SEE NOTE

TOLERANCES UNLESS  
OTHERWISE SPECIFIED:

0 PLC	± -
1 PLC	± -
2 PLC	± -
3 PLC	± -
4 PLC	± -
ANGLES	± -

FINISH

SEE NOTE

DWN

-

CHK

-

APVD

-

PRODUCT SPEC

-

QUALIFICATION TEST REPORT

-

WEIGHT

--

TE Connectivity

NAME

RECEPTACLE ASSEMBLY, SZ 1,  
15POSN, RT ANG, FRONT METAL SHELL  
, AMPLIMITE, HD-22

SIZE

A3

CAGE CODE

00779

DRAWING NO

C=1734347

RESTRICTED TO

-

CUSTOMER DRAWING

SCALE

-

SHEET

2 OF 2

REV

C1

1470-19 (3/11)

# Mouser Electronics

Authorized Distributor

Click to View Pricing, Inventory, Delivery & Lifecycle Information:

[TE Connectivity:](#)

[1-1734347-2](#)