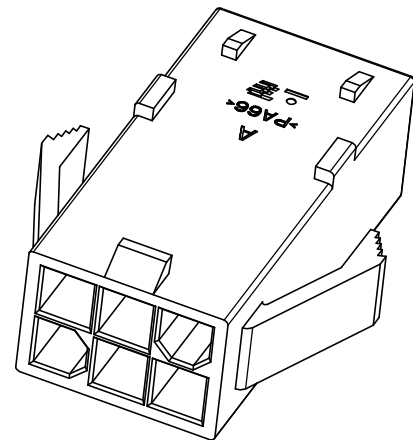
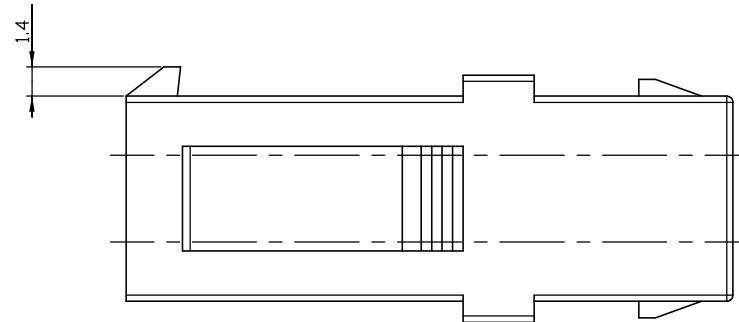
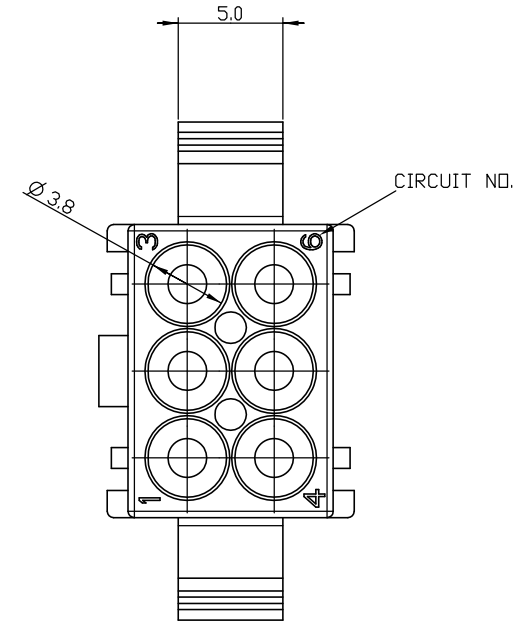
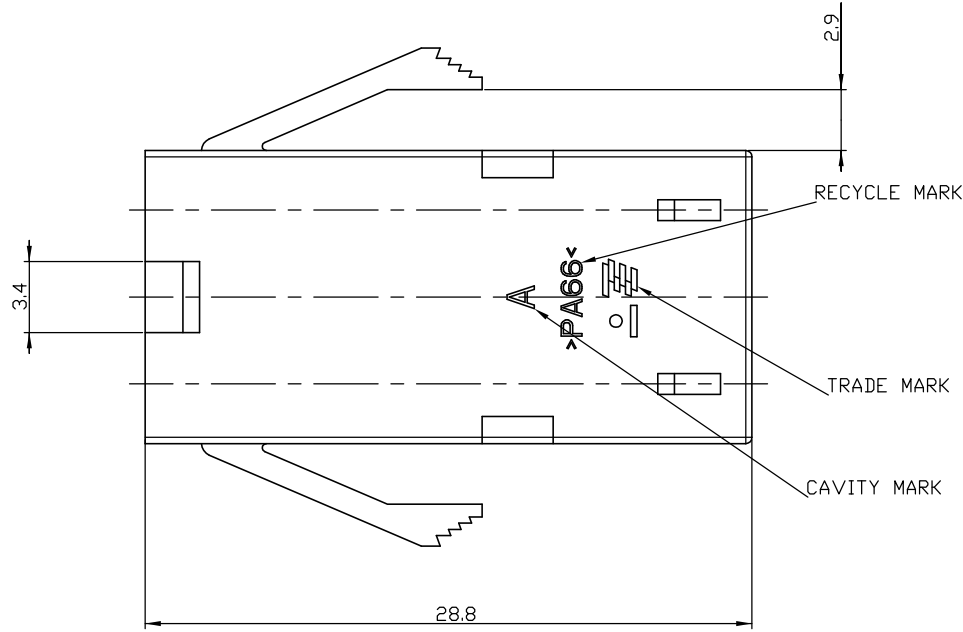
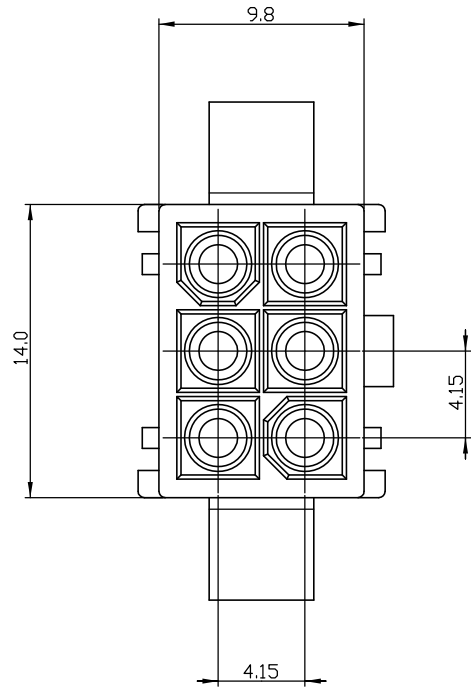


THIS DRAWING IS UNPUBLISHED. RELEASED FOR PUBLICATION 20  
 © COPYRIGHT 20 BY TYCO ELECTRONICS CORPORATION. ALL RIGHTS RESERVED.

LOC	DIST	REVISIONS					
		P	LTR	DESCRIPTION	DATE	DWN	APVD
DS	-	A		RELEASED	18 MAR 08	JH	JK



ISOMETRIC VIEW

NOTES.

1. APPLICABLE CONN. P/N: X-1897621-X
2. APPLICABLE CONTACT P/N: 770901-X 770903-X
3. APPLICABLE WIRE SEAL P/N: 2005877-X

1-1897625-1	6/6 NYLON (GWT)	NATURAL
1897625-1	6/6 NYLON UL94 V-0	NATURAL
P/N	MATERIAL	COLOR

THIS DRAWING IS A CONTROLLED DOCUMENT FOR TYCO ELECTRONICS CORPORATION. IT IS SUBJECT TO CHANGE AND THE CONTROLLING ENGINEERING ORGANIZATION SHOULD BE CONTACTED FOR THE LATEST REVISION.		DWN JH_GONG	<b>STE</b> TE CONNECTIVITY		
DIMENSIONS: MM		CHK RW_KANG			
TOLERANCES UNLESS OTHERWISE SPECIFIED: 0 PLC ± 1 PLC ± 2 PLC ± ±0.25 3 PLC ± 4 PLC ± ANGLES ±		APVD JK_SONG	NAME MINI MTDL 6P CAP HSG		
MATERIAL 6/6 NYLON		PRODUCT SPEC 108-61101	SIZE A2	CAGE CODE 00779	DRAWING NO C=1897625
FINISH		APPLICATION SPEC 114-16017	RESTRICTED TO	-	
CUSTOMER DRAWING		WEIGHT -	SCALE 4:1	SHEET 1	OF 1
			REV A		

# Mouser Electronics

Authorized Distributor

Click to View Pricing, Inventory, Delivery & Lifecycle Information:

[TE Connectivity:](#)

[1897625-1](#)