



# FAST RECOVERY RECTIFIERS

**Qualified per MIL-PRF-19500/304\***

Qualified Levels\*:  
JAN, JANTX, and  
JANTXV

## DESCRIPTION

This 1N3889 – 1N3891 and 1N3893 family of rectifier devices are suitable for applications in DC power supplies, inverters, converters, choppers and ultrasonic systems as well as other applications. It can also be used as a free-wheeling diode. They are military qualified up to a JANTXV level on select part numbers and they are available in both standard and reverse polarities. Microsemi also offers numerous other products to meet higher and lower power voltage regulation applications.

**Important:** For the latest information, visit our website <http://www.microsemi.com>.

## FEATURES

- Very low forward voltage.
- Fast recovery time.
- Low thermal resistance.
- Both polarities available.
- JAN, JANTX, and JANTXV qualifications also available per MIL-PRF-19500/304.  
\*(Excludes part number 1N3889.)
- RoHS compliant devices available by adding "e3" suffix.

## APPLICATIONS / BENEFITS

- Available in 12 or 20 amp current ratings.
- Short reverse recovery time.
- High surge capability.
- Hermetically sealed.

## MAXIMUM RATINGS @ T<sub>C</sub> = 25 °C unless otherwise noted

Parameters/Test Conditions	Symbol	Value	Unit
Junction and Storage Temperature	T <sub>J</sub> & T <sub>STG</sub>	-65 to +175	°C
Thermal Resistance Junction-to-Case	R <sub>θJC</sub>	2.0	°C/W
non "A" "A"		1.5	
Reverse Voltage	V <sub>R</sub>	100	V
1N3890 A/R/AR		200	
1N3891 A/R/AR 1N3893 A/R/AR		400	
Working Peak Reverse Voltage	V <sub>RWM</sub>	50	V (pk)
1N3889 A/R/AR		100	
1N3890 A/R/AR		200	
1N3891 A/R/AR 1N3893 A/R/AR		400	
Repetitive Peak Reverse Voltage	V <sub>RRM</sub>	50	V
1N3889 A/R/AR		100	
1N3890 A/R/AR		200	
1N3891 A/R/AR 1N3893 A/R/AR		400	
Average Forward Current, 180 degrees conduction angle, 60 Hz, half sine wave @ T <sub>C</sub> = 100 °C	I <sub>O</sub>	12	A
non "A" "A"		20	
Maximum Non-Repetitive Sinusoidal Surge Current @ T <sub>C</sub> = 100 °C (8.3 ms, half sine)	I <sub>FSM</sub>	175	A (pk)
non "A" "A"		250	

**NOTES:** 1. Derate linearly 2 % of I<sub>O</sub> /°C for T<sub>C</sub> > 100 °C, see [Figure 5](#).



**DO-203AA (DO-4)  
Package**

**MSC – Lawrence**  
6 Lake Street,  
Lawrence, MA 01841  
Tel: 1-800-446-1158  
(978) 620-2600  
Fax: (978) 689-0803

**MSC – Ireland**  
Gort Road Business Park,  
Ennis, Co. Clare, Ireland  
Tel: +353 (0) 65 6840044  
Fax: +353 (0) 65 6822298

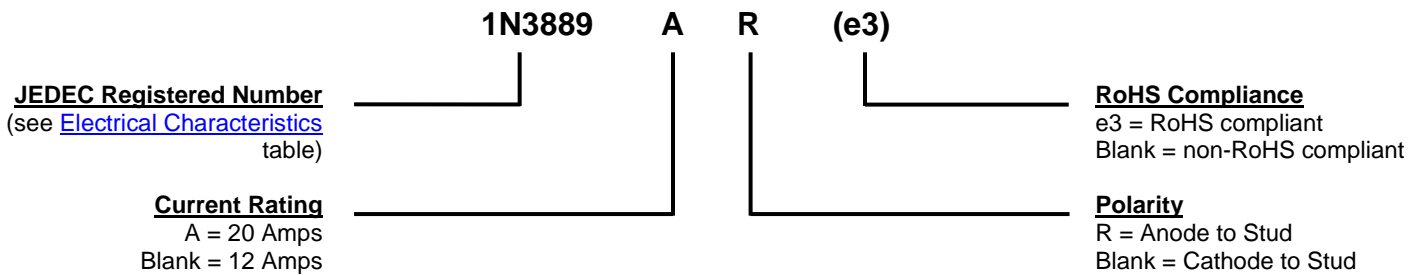
**Website:**  
[www.microsemi.com](http://www.microsemi.com)

**MECHANICAL and PACKAGING**

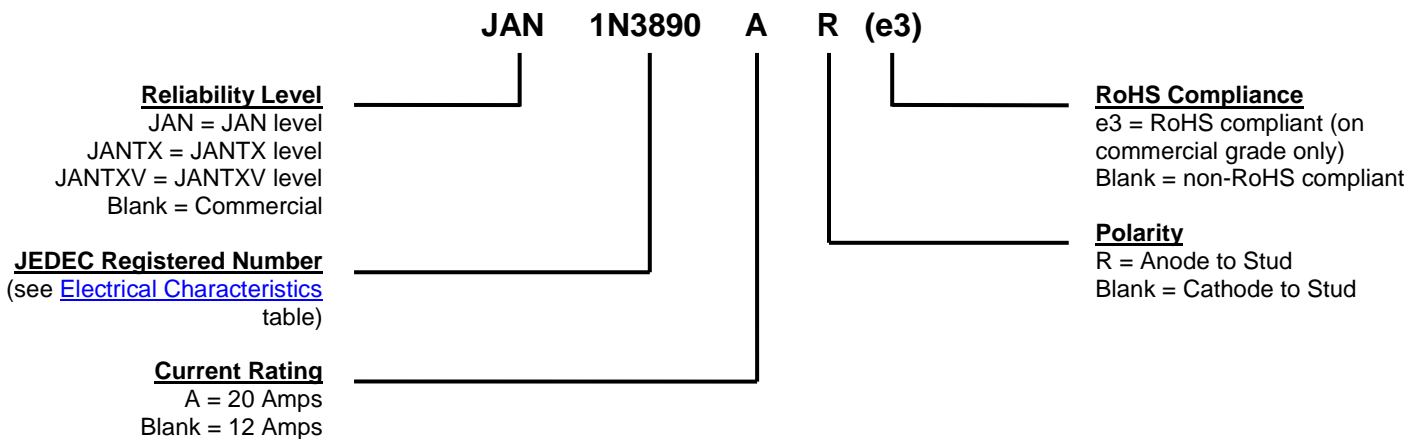
- CASE: Hermetically sealed metal and glass case body with 10-32 UNF3A threaded stud.
- TERMINALS: Tin-lead plated or RoHS compliant matte-tin plating on nickel. Solder dipped eyelet.
- MARKING: Manufacturer's ID, part number, date code, polarity symbol.
- WEIGHT: 5 grams (approximate).
- Maximum Stud Torque: 10-15 inch pounds.
- See [Package Dimensions](#) on last page.

**PART NOMENCLATURE**

*Applicable to 1N3889 only:*



*Applicable to 1N3890, 1N3891 and 1N3893 only:*



**SYMBOLS & DEFINITIONS**

Symbol	Definition
$C_J$	Junction Capacitance: The junction capacitance in pF at a specified frequency.
$I_{F(AV)}$	Average Forward Current: The average forward current dc value, no alternating component.
$I_{FSM}$	Maximum Forward Surge Current: The forward current, surge peak or rated forward surge current.
$I_{RM}$	Maximum Reverse Current: The maximum reverse (leakage) current that will flow at the specified voltage and temperature.
$t_{rr}$	Reverse Recovery Time: The time interval between the instant the current passes through zero when changing from the forward direction to the reverse direction and a specified decay point after a peak reverse current occurs.
$V_{FM}$	Maximum Forward Voltage: The maximum forward voltage the device will exhibit at a specified current.
$V_{RRM}$	Repetitive Peak Reverse Voltage: The peak reverse voltage including all repetitive transient voltages but excluding all non-repetitive transient voltages.
$V_{RWM}$	Working Peak Reverse Voltage: The maximum peak voltage that can be applied over the operating temperature range excluding all transient voltages (ref JESD282-B). Also sometimes known as PIV.

**ELECTRICAL CHARACTERISTICS @  $T_A = 25\text{ }^\circ\text{C}$  unless otherwise noted**

Type	Typical Junction Capacitance $C_J$	Average Forward Current $I_{F(AV)}$	Maximum Forward Voltage $V_{FM}$	Maximum Reverse Current $I_{RM}$		Maximum Reverse Recovery Time $t_{rr}$
		$T_C = 100\text{ }^\circ\text{C}$	$T_C = 25\text{ }^\circ\text{C}$	$T_C = 25\text{ }^\circ\text{C}$	$T_C = 150\text{ }^\circ\text{C}$	
1N3889(R)	115 pF <sup>(1)</sup>	12 A	1.5 V @ $I_{FM} = 20\text{ A}$ <sup>(2)</sup>	10 $\mu\text{A}$ @ $V_{RRM}$	2 mA @ $V_{RRM}$	200 ns <sup>(3)</sup>

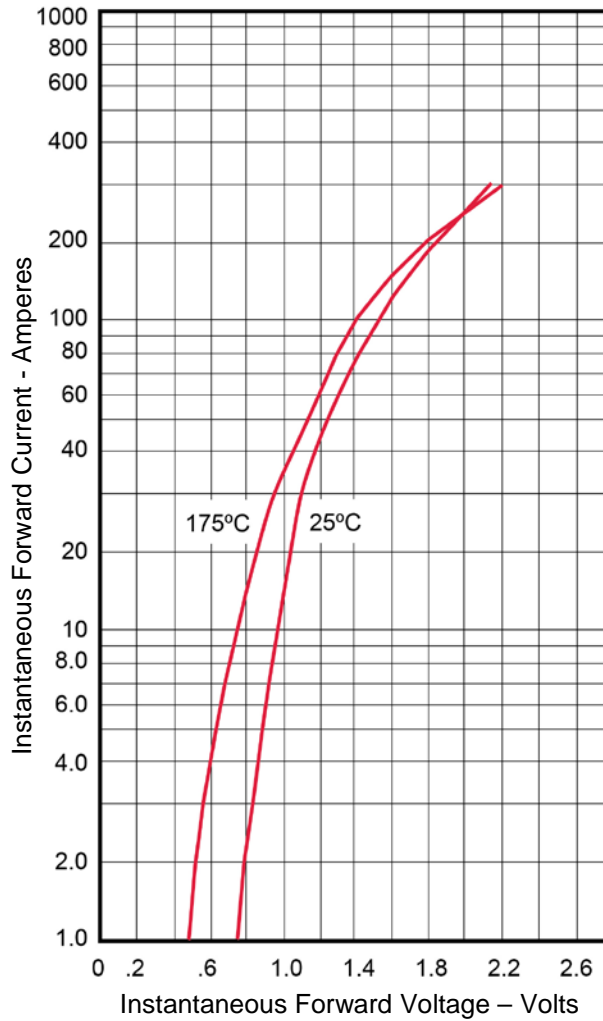
- NOTES:**
- $V_R = 10\text{ V}$ ,  $f = 1\text{ Mhz}$ ,  $T_J = 25\text{ }^\circ\text{C}$ .
  - $I_{FM} = 38\text{ A}$ ,  $T_J = 25\text{ }^\circ\text{C}$ . Pulse test: pulse width 300  $\mu\text{sec}$ , duty cycle 2%.
  - $I_F = 1\text{ A}$ ,  $V_R = 30\text{ A}$ ,  $di/dt = 25\text{ A}/\mu\text{s}$ ,  $T_C = 55\text{ }^\circ\text{C}$ .

Parameters / Test Conditions	Symbol	Min.	Max.	Unit
Forward Voltage $I_{FM} = 38\text{ A}$ , $T_C = 25\text{ }^\circ\text{C}$ *	$V_{FM}$		1.5	V
Forward Voltage $I_{FM} = 250\text{ A}$ , $T_C = 150\text{ }^\circ\text{C}$ **	$V_{FM}$		2.75	V
Reverse Current $V_{RM} = 100\text{ V}$ , $T_C = 25\text{ }^\circ\text{C}$ $V_{RM} = 200\text{ V}$ , $T_C = 25\text{ }^\circ\text{C}$ $V_{RM} = 400\text{ V}$ , $T_C = 25\text{ }^\circ\text{C}$	$I_{RM}$	1N3890 / A / R / AR 1N3891 / A / R / AR 1N3893 / A / R / AR	10	$\mu\text{A}$
Reverse Current $V_{RM} = 100\text{ V}$ , $T_C = 150\text{ }^\circ\text{C}$ $V_{RM} = 200\text{ V}$ , $T_C = 150\text{ }^\circ\text{C}$ $V_{RM} = 400\text{ V}$ , $T_C = 150\text{ }^\circ\text{C}$	$I_{RM}$	1N3890 / A / R / AR 1N3891 / A / R / AR 1N3893 / A / R / AR	2	mA
Reverse Recovery Time $V_{RM} = 30\text{ V}$ , $I_F = 1\text{ A}$ , $T_C = 55\text{ }^\circ\text{C}$ *	$T_{rr}$	1N3890, 1N3891, 1N3893 1N3890A, 1N3891A, 1N3893A / AR	200 150	ns

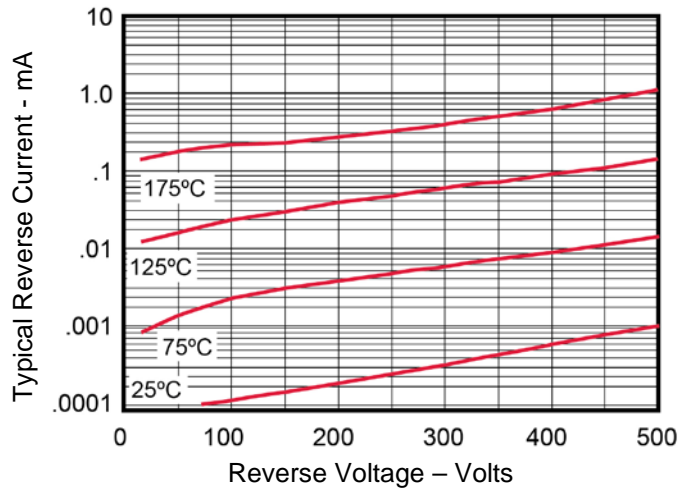
\* Pulse test: Pulse width 300  $\mu\text{sec}$ , duty cycle 2%.

\*\* Pulse test: Pulse width 800  $\mu\text{sec}$ .

GRAPHS



**FIGURE 1 – Typical Forward Characteristics**



**FIGURE 2 – Typical Reverse Characteristics**

GRAPHS (continued)

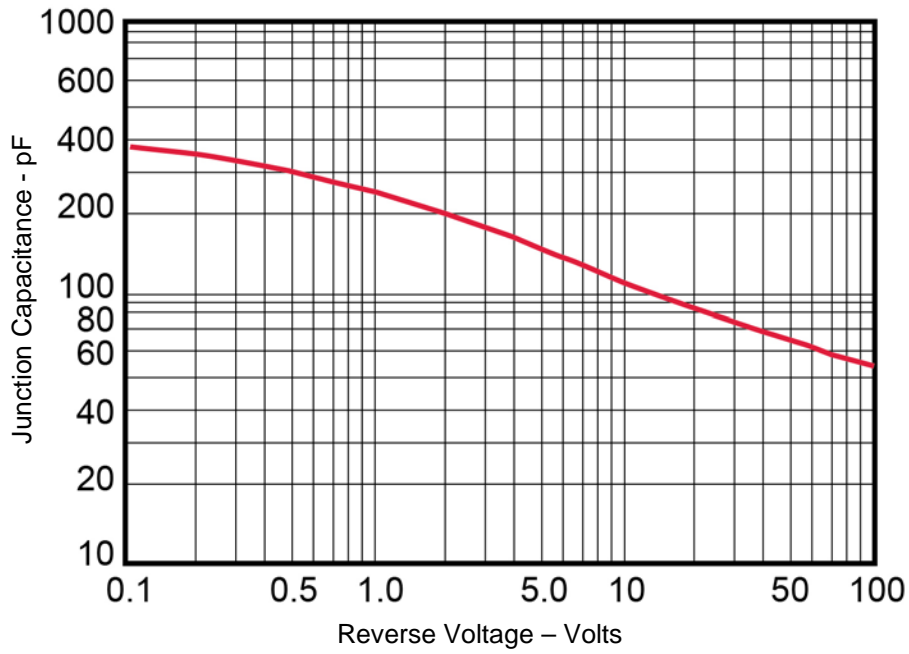


FIGURE 3 – Typical Junction Capacitance

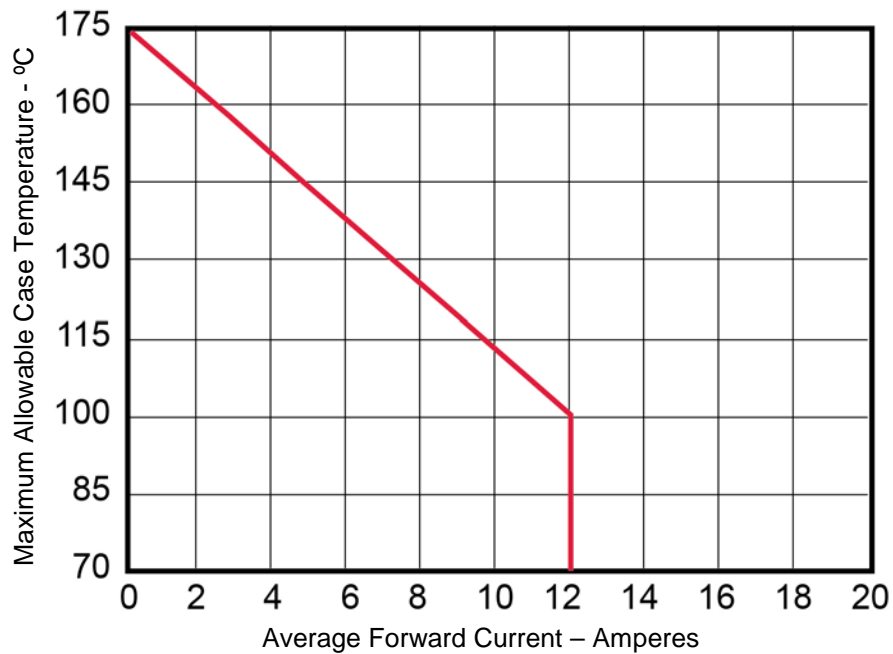
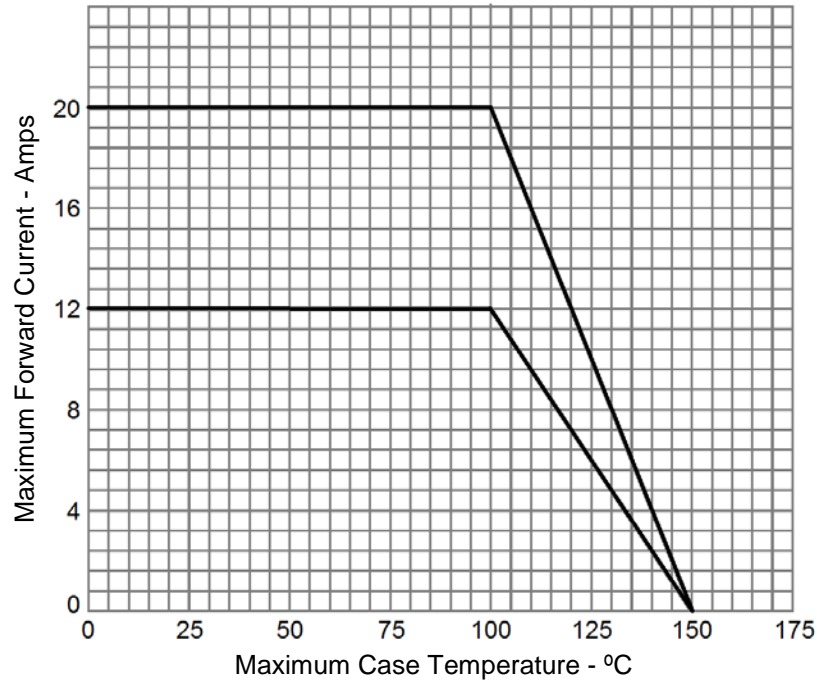
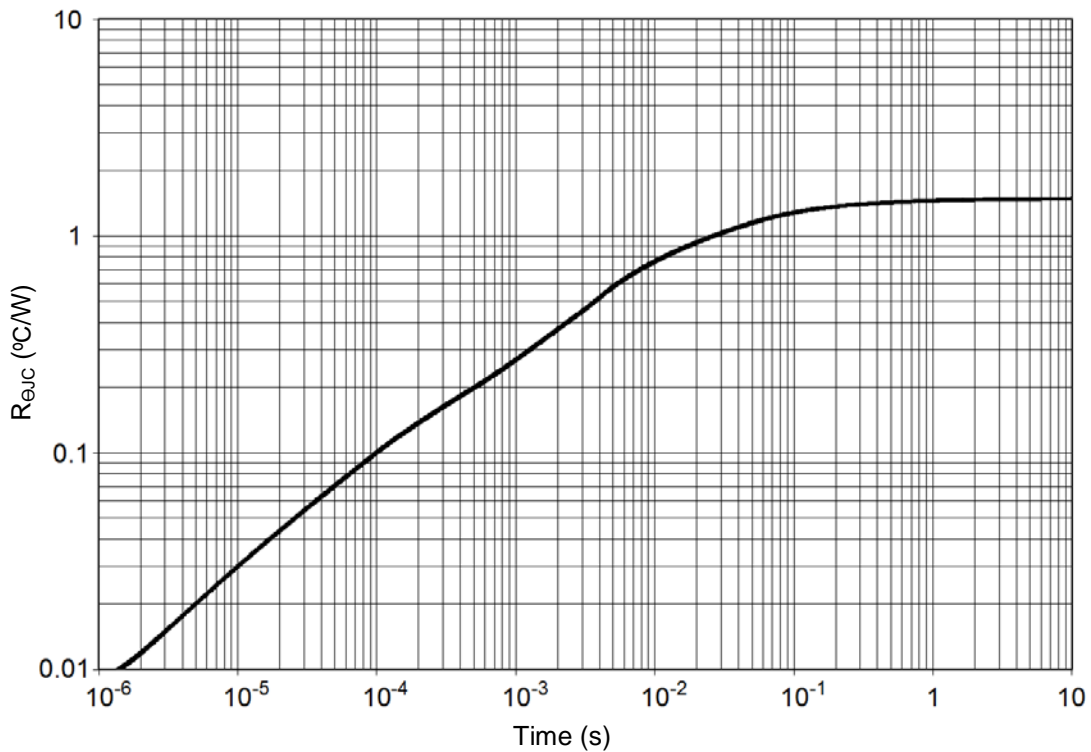


FIGURE 4 – Forward Current Derating

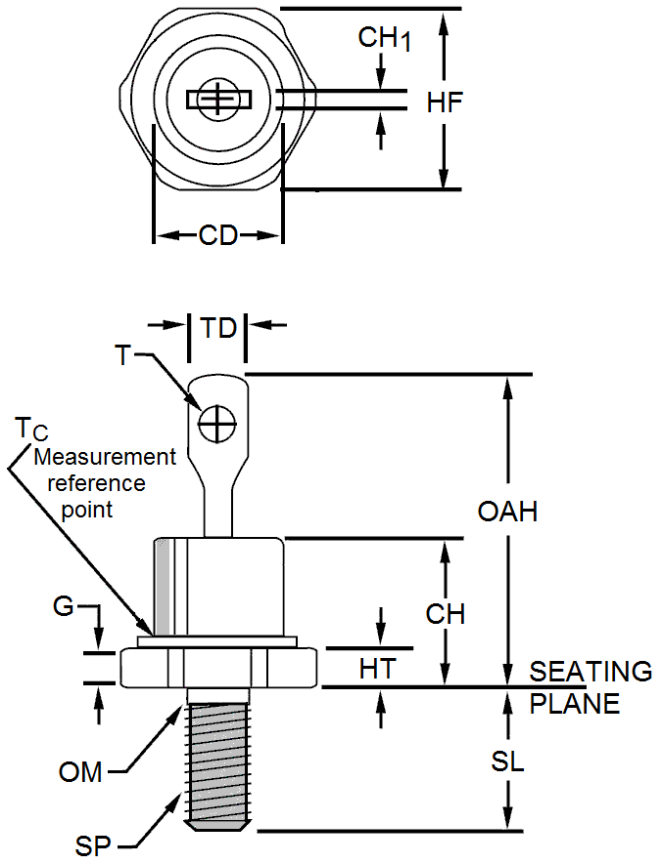
GRAPHS (continued)



**Figure 5** – Maximum Forward Current vs. Maximum Case Temperature



**Figure 6** – Thermal Impedance for "A" type devices

**PACKAGE DIMENSIONS**


Ltr	Dimensions				Notes
	Inch		Millimeters		
	Min	Max	Min	Max	
<b>CD</b>		.424		10.77	
<b>CH</b>		.405		10.29	
<b>CH<sub>1</sub></b>	.020	.065	0.51	1.65	9
<b>G</b>	.060		1.52		
<b>HF</b>	.424	.437	10.77	11.10	
<b>HT</b>	.075	.175	1.90	4.44	
<b>OAH</b>		.800		20.32	
<b>OM</b>	.163	.189	4.14	4.80	4
<b>SL</b>	.422	.453	10.72	11.50	
<b>SP</b>					5, 6, 7, 8
<b>T</b>	.060		1.52		
<b>TD</b>		.250		6.35	

**NOTES:**

1. Dimensions are in inches.
2. Millimeters are given for general information only.
3. Angular orientation of this terminal is undefined. Square or radius on end of terminals is optional.
4. Diameter variations within these limits are permitted.
5. The ANSI thread reference is 0.190-32 UNF-2A.
6. Max pitch diameter of plated threads shall be basic pitch diameter 0.169 inch (4.29 mm) reference FED-STD-H28 (Screw Thread Standards for Federal Services.)
7. Units must not be damaged by torque of 15 inch-pounds applied to 0.190-32 UNF-2B nut assembled on thread.
8. Complete threads to extend to within 0.078 inch (1.98 mm) of the seating plane.
9. Terminal-end shape is unrestricted.
10. Reversed (anode to stud) units shall be marked with an "R" following the last digit in the type number.
11. Forward polarity (cathode to stud) marking is not shown.

# Mouser Electronics

Authorized Distributor

Click to View Pricing, Inventory, Delivery & Lifecycle Information:

[Microsemi:](#)

[1N3891A](#) [JANTX1N3890AR](#) [1N3890A](#) [1N3891AR](#) [1N3890AR](#) [1N3893A](#) [1N3893AR](#)