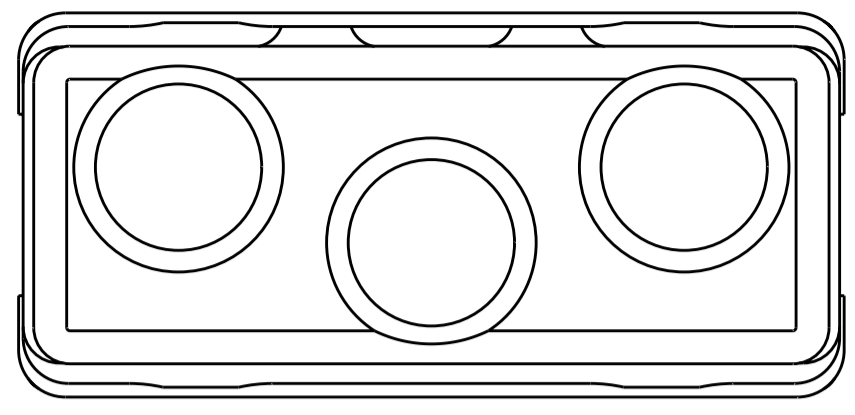
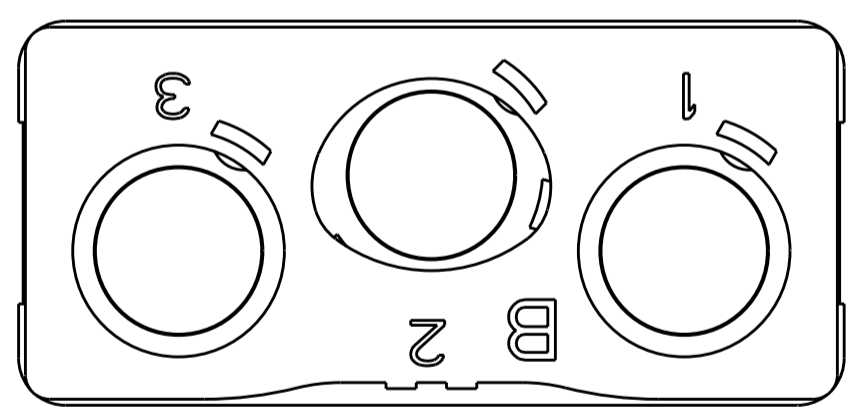
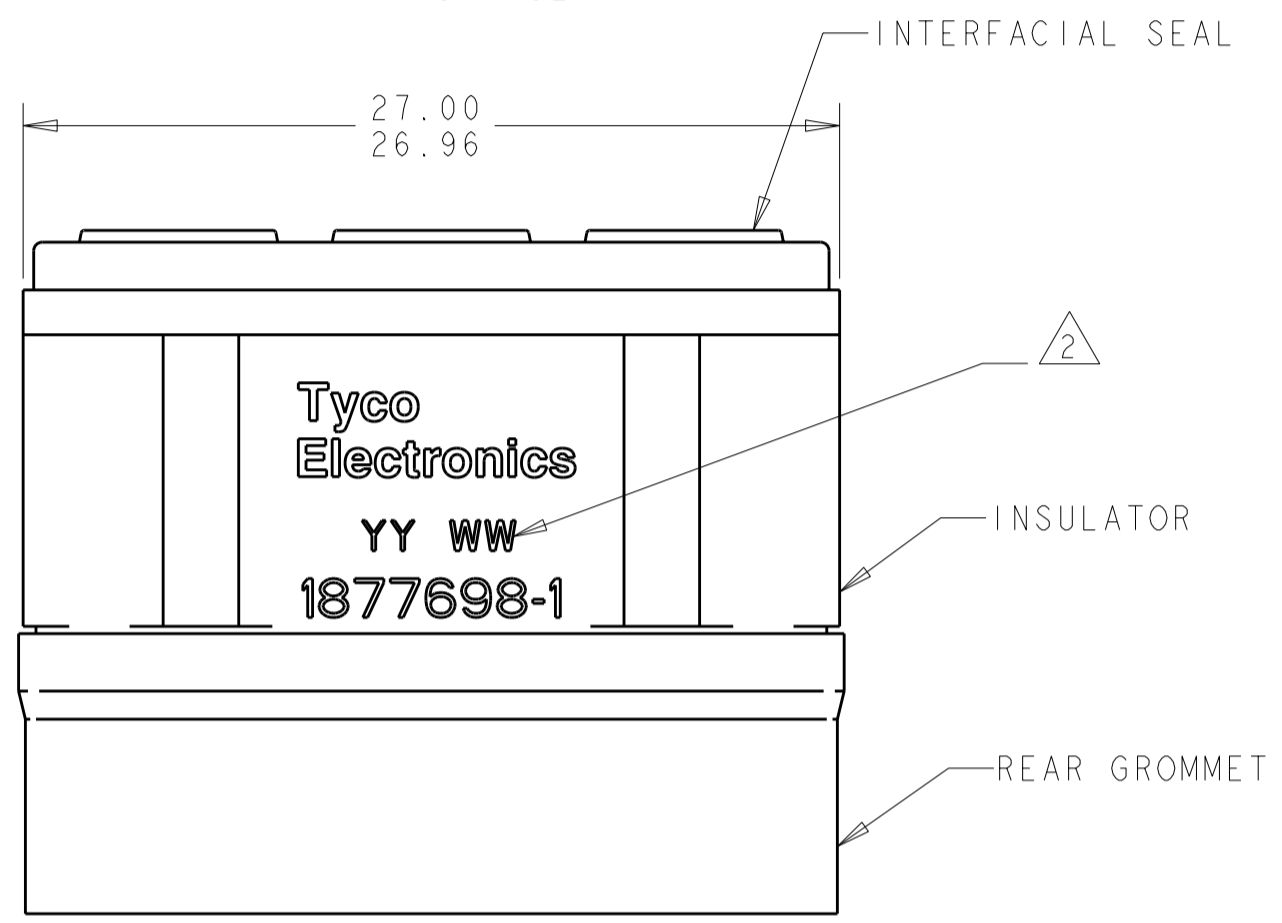
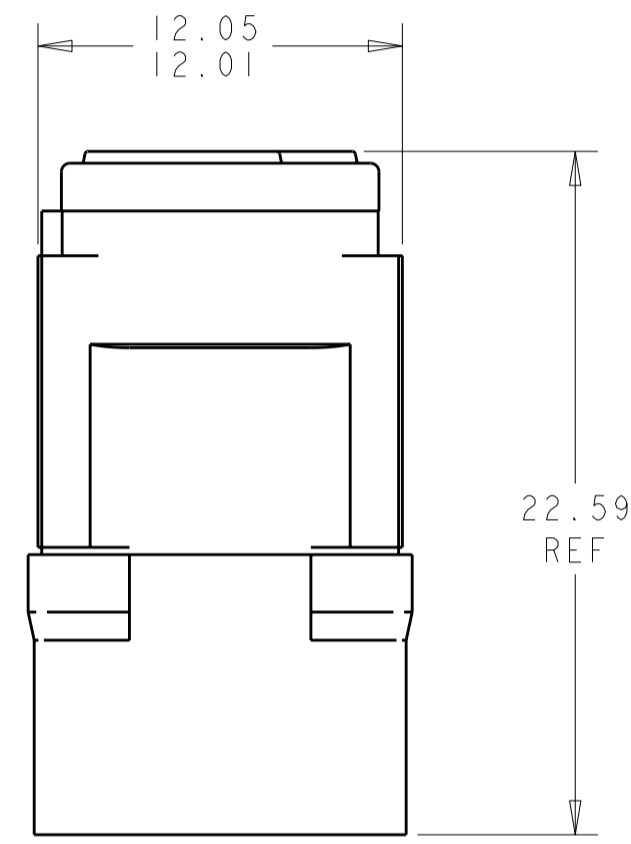


THIS DRAWING IS UNPUBLISHED. RELEASED FOR PUBLICATION 20
 © COPYRIGHT 20 BY TYCO ELECTRONICS CORPORATION. ALL RIGHTS RESERVED.

LOC	DIST	REVISIONS			
P	LTR	DESCRIPTION	DATE	DWN	APVD
DF	A5				
	1	DRAWN	-	-	-
	2	REVISED	21MAY2010	RF	JM



MATING FACE



REAR FACE

1 INSULATOR: HIGH-TEMP THERMOPLASTIC. COLOR: NATURAL.
 CONTACT RETENTION CLIPS: COPPER ALLOY PER ASTM B194 OR STAINLESS STEEL PER ASTM A666.
 REAR GROMMET & INTERFACIAL SEAL: FLUOROSILICONE ELASTOMER PER MIL-R-25988 B, EXCEPT 4.6.6.1.

- 2 DATE CODE (YY WW).
- 3 DESCRIPTIVE PART NUMBER: GPRBE3Q3PA
 THIS INSERT CONTAINS 3 CAVITIES FOR SIZE 8 QUADRAX PIN CONTACTS.
- 4 THIS PRODUCT IS SOLD BY TYCO ELECTRONICS UNDER A LICENSE FROM RADIAL SA.

THIS PRINT IS
PRELIMINARY
 UNQUALIFIED PRODUCT
 CONTACT PRODUCT ENGINEERING
 BEFORE USING THIS PRINT

1877698-1
 PART NUMBER

THIS DRAWING IS A CONTROLLED DOCUMENT FOR TYCO ELECTRONICS CORPORATION. IT IS SUBJECT TO CHANGE AND THE CONTROLLING ENGINEERING ORGANIZATION SHOULD BE CONTACTED FOR THE LATEST REVISION.		DWN	16NOV2006	Tyco Electronics Harrisburg, PA 17105-3608	
DIMENSIONS: mm		CHK	16NOV2006	NAME	
TOLERANCES UNLESS OTHERWISE SPECIFIED: 0 PLC ± 1 PLC ±0.1 2 PLC ±0.05 3 PLC ± 4 PLC ± ANGLES ±1 FINISH		APVD	16NOV2006	INSERT ASSEMBLY, PIN, ENVIRONMENTAL, ARRANGEMENT 303, KEY B, GPRB	
MATERIAL		PRODUCT SPEC	-	SIZE	CAGE CODE
1		APPLICATION SPEC	-	A200779	DRAWING NO
		WEIGHT	-	C=1877698	RESTRICTED TO
		CUSTOMER DRAWING	SCALE 4:1	SHEET 1 OF 1	REV 2