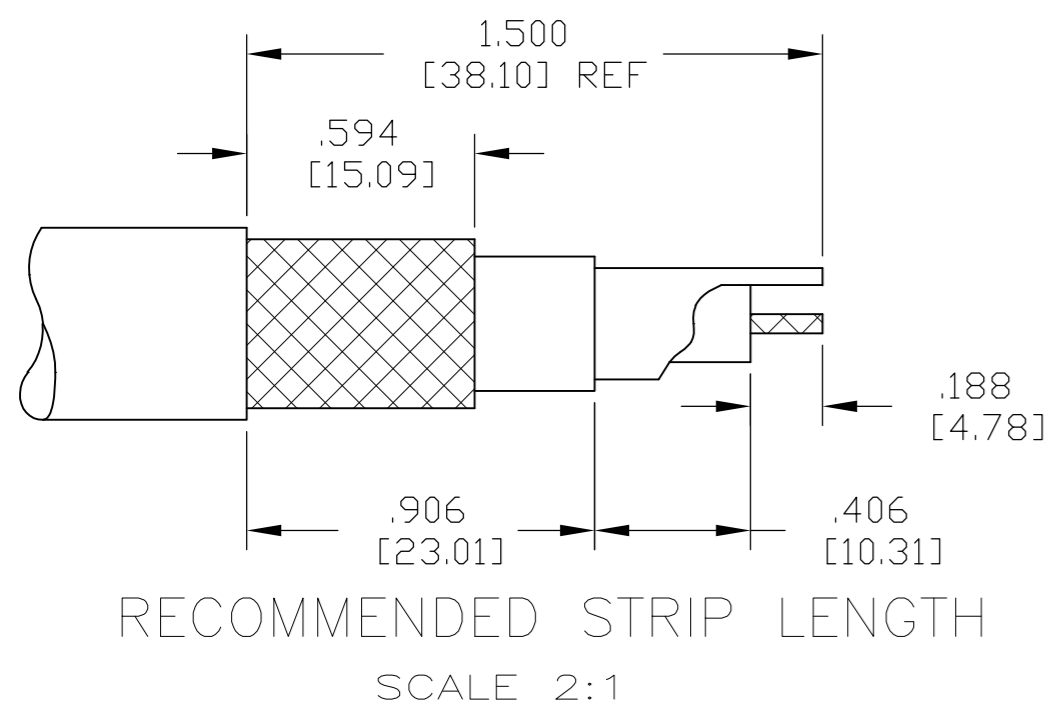
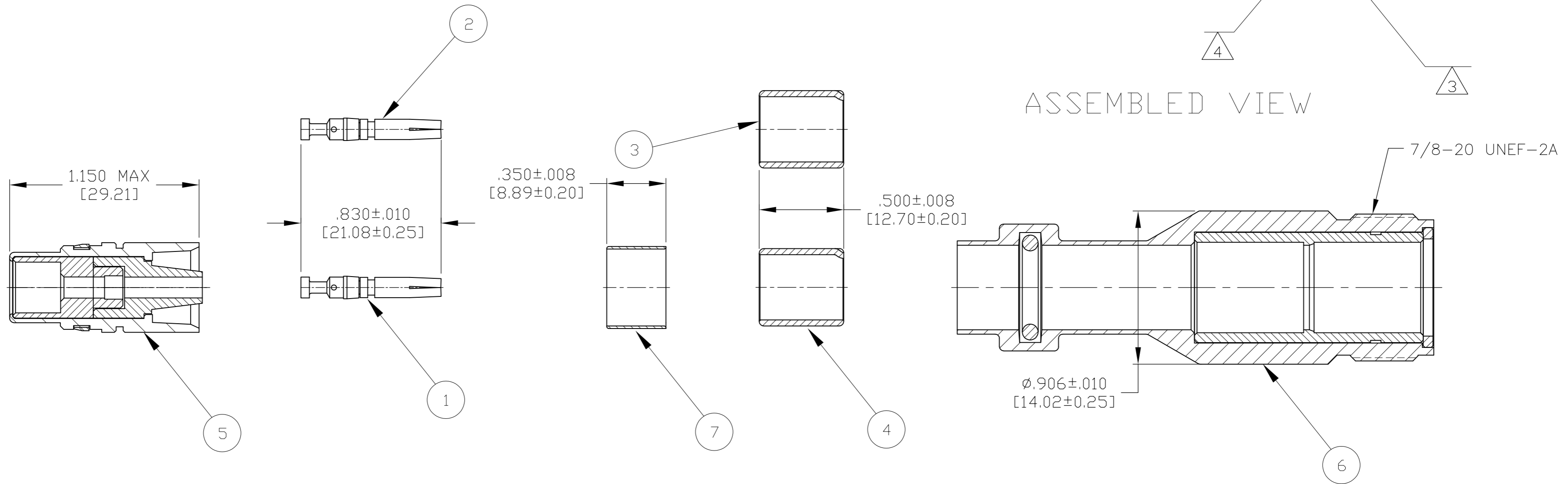
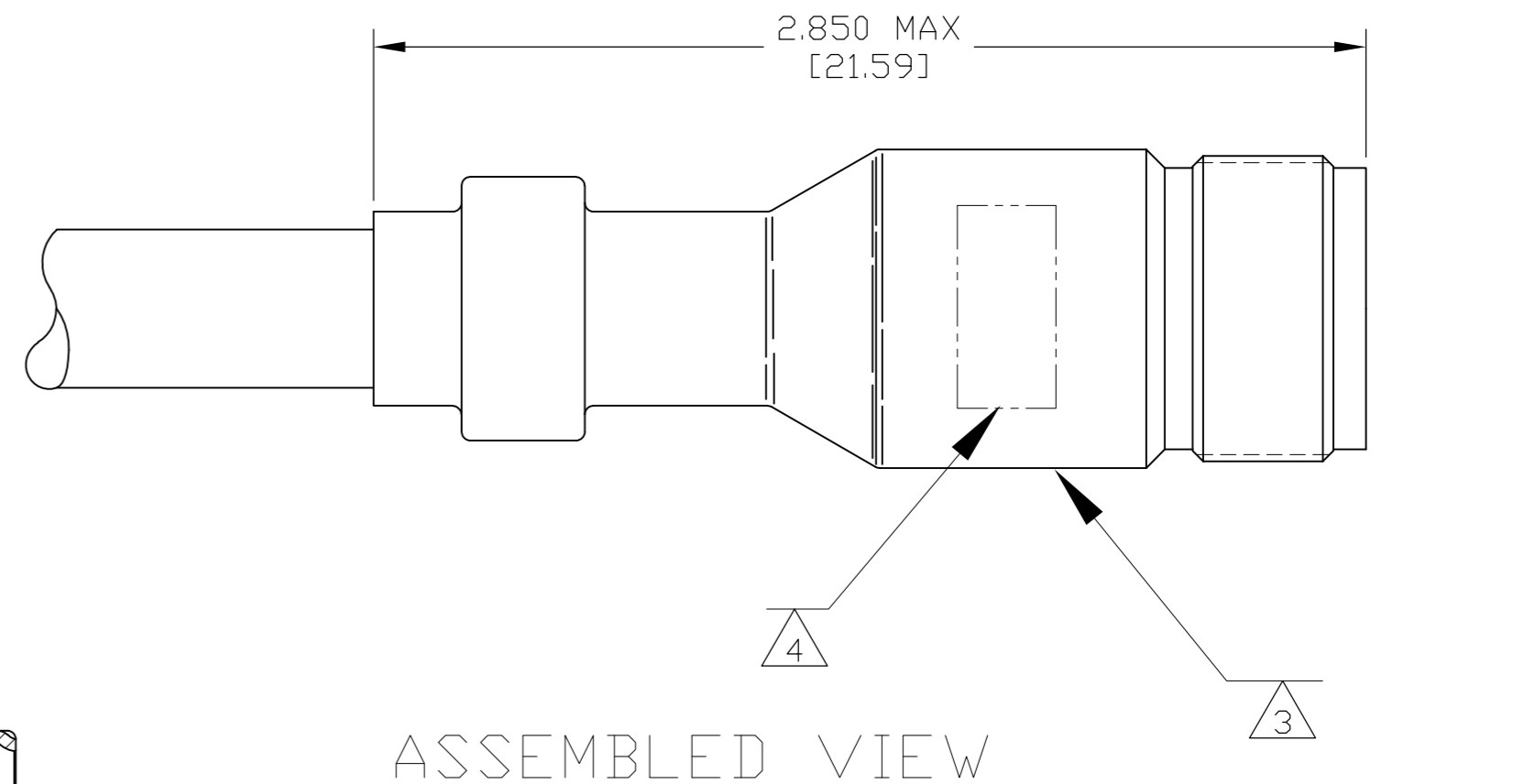


THIS DRAWING IS UNPUBLISHED. RELEASED FOR PUBLICATION N/A .N/A .  
 © COPYRIGHT N/A By - ALL RIGHTS RESERVED.

LOC		DIST		REVISIONS			
P	LTR	DESCRIPTION		DATE	DWN	APVD	
B		REV PER ECO 12-014373		8-8-12	CT	DW	

- FOR USE WITH THE FOLLOWING RG-11 TRIAX CABLE:  
 BIW 10382-C-G18  
 BIW 12363-C-G20  
 BIW 12240-C-G20  
 ROCKBESTOS RSS-6-109/LE  
 BRAND-REX TS75285
- USE CRIMPING TOOL 90415-1 WITH DIE SET 58264-1 AND ASSEMBLY AID 58272-1.
- ONLY 5 ITEMS ARE REQUIRED TO COMPLETE TERMINATION, SEE APPLICATION SPECIFICATION FOR DETAILS.
- "W" AND PART NUMBER "405A30-NJ STEEL STAMP ON THIS SURFACE, ORIENTATION IS AMP'S OPTION.



5-221773-3	1484833-1	1484830-1	221773-4	221773-2	1484829-2	1484829-1	5-1484794-1
221777-3	1484833-2	1484830-2	221773-4	221773-2	1484829-2	1484829-1	1484794-2
221777-3	1484833-1	1484830-1	221773-4	221773-2	1484829-2	1484829-1	1484794-1
7 FERRULE, INTERMEDIATE QTY=1	6 SHELL ASSY, OUTER QTY=1	5 SHELL ASSY, INNER QTY=1	4 FERRULE, INNER QTY=1	3 FERRULE, INNER QTY=1	2 CONTACT, ASSY QTY=1	1 CONTACT, ASSY QTY=1	PART NO

THIS DRAWING IS A CONTROLLED DOCUMENT.

DIMENSIONS: INCHES [mm]	TOLERANCES UNLESS OTHERWISE SPECIFIED:	DWN C.C.THOMAS 08APR2002	TE Connectivity
		CHK R.GROSS 4-8-02	
		APVD R.GROSS 4-8-02	Jack KIT,SERIES HN TRIAX
		PRODUCT SPEC 108-12094	
		APPLICATION SPEC 114-12004	RESTRICTED TO
MATERIAL	FINISH	WEIGHT	SIZE A2 CAGE CODE 00779 C=1484794
		CUSTOMER DRAWING	SCALE 2:1 SHEET 1 of 1 REV B