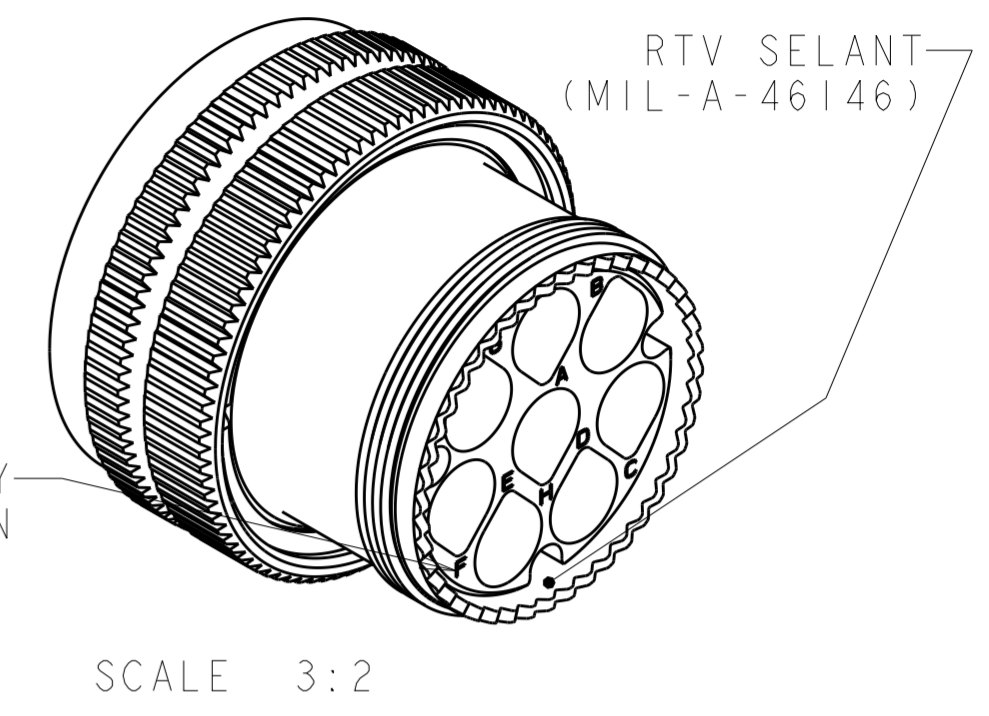
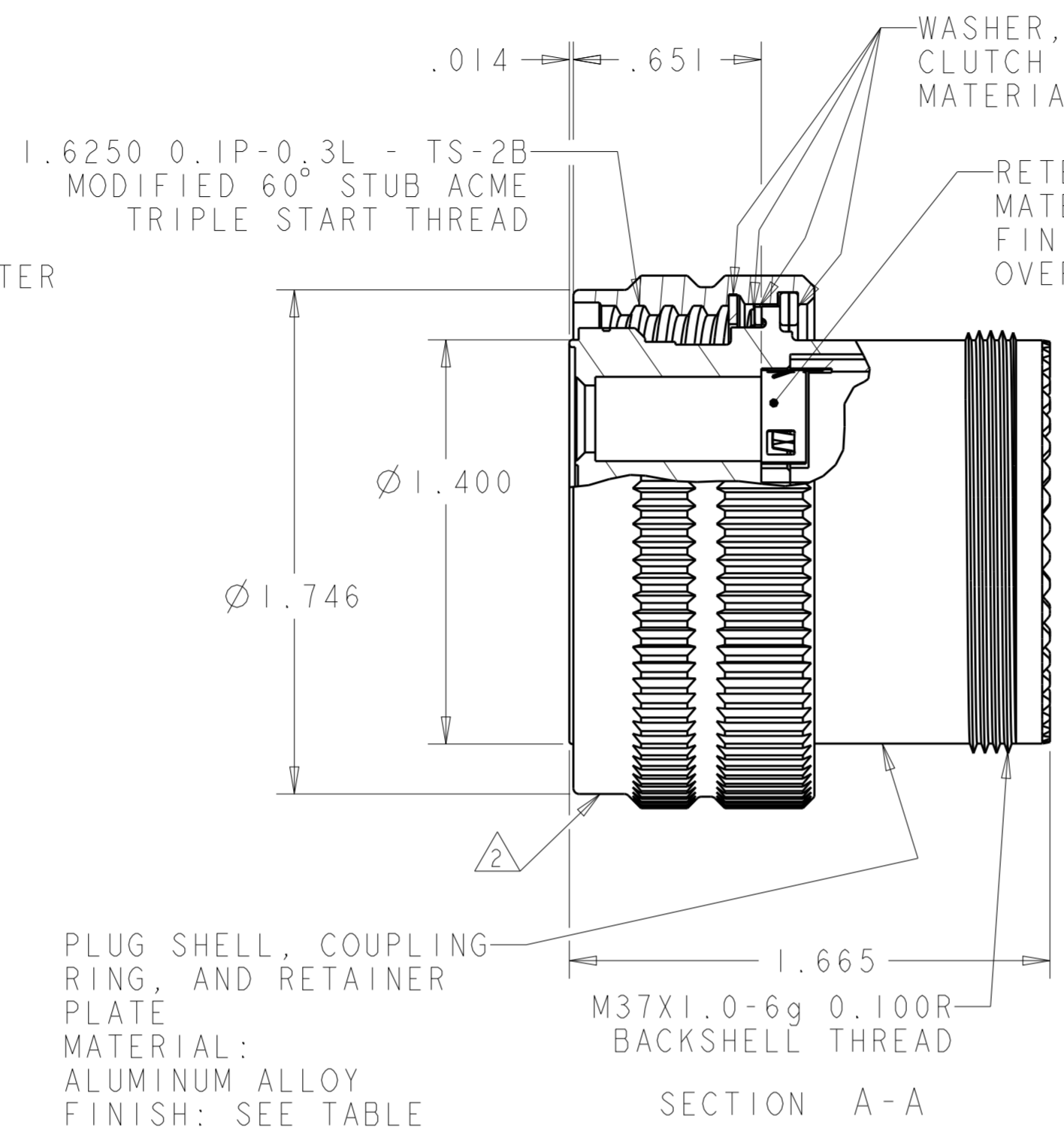
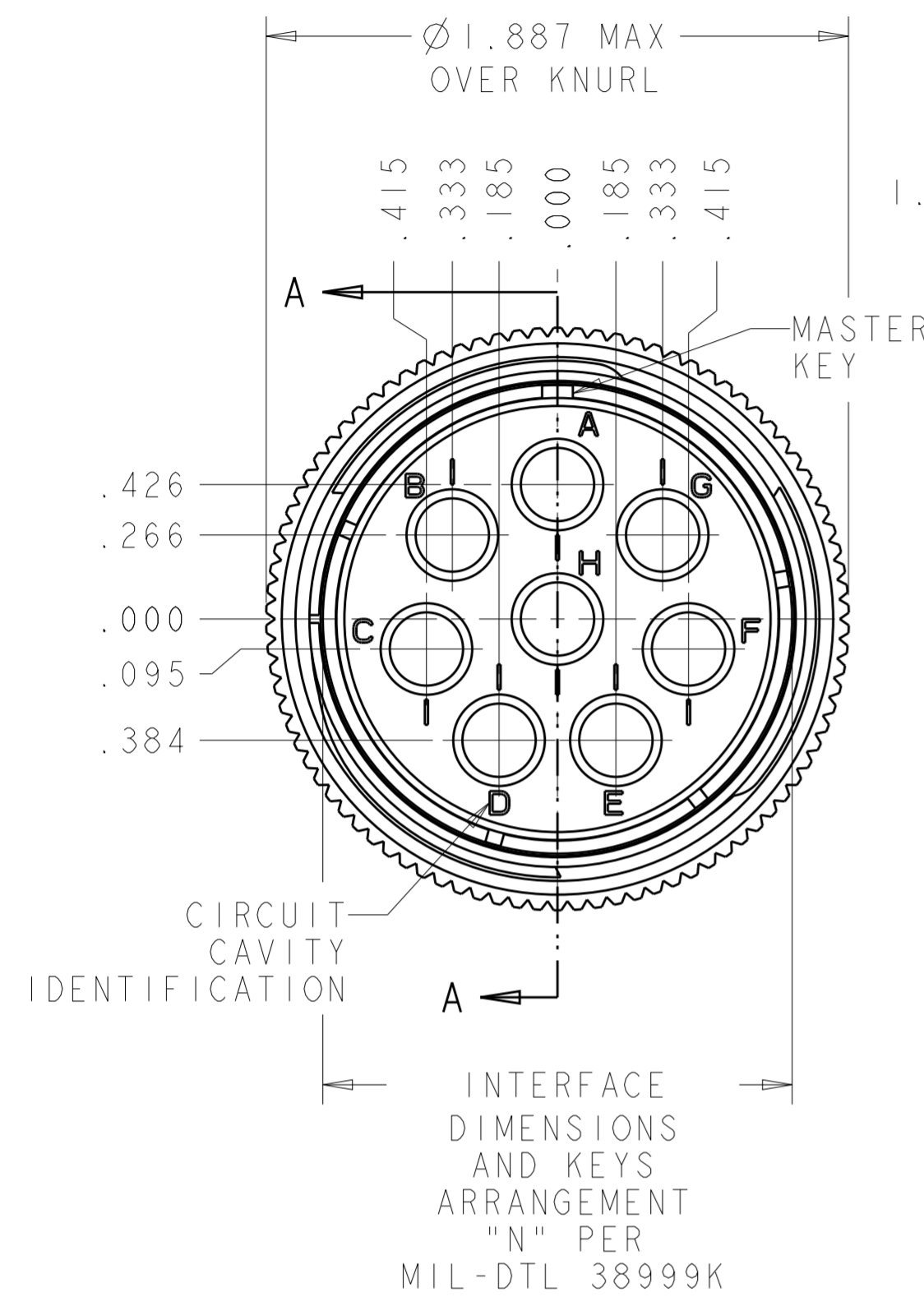


THIS DRAWING IS UNPUBLISHED. RELEASED FOR PUBLICATION 20
 © COPYRIGHT 20 BY - ALL RIGHTS RESERVED.

REVISIONS				
P	LTR	DESCRIPTION	DATE	APVD
G		REV PER ECO 15-003148	2-27-15	CT DM



OLIVE DRAB	SOLD SEPARATELY	B	1-1811928-5
OLIVE DRAB	SOLD SEPARATELY	A	1-1811928-4
OLIVE DRAB	SOLD SEPARATELY	N	1-1811928-3
OLIVE DRAB	PROVIDED UN-ASSEMBLED	B	1-1811928-2
OLIVE DRAB	PROVIDED UN-ASSEMBLED	A	1-1811928-1
OLIVE DRAB	PROVIDED UN-ASSEMBLED	N	1-1811928-0
NICKEL	SOLD SEPARATELY	B	1811928-9
NICKEL	SOLD SEPARATELY	A	1811928-8
NICKEL	SOLD SEPARATELY	N	1811928-7
NICKEL	PROVIDED UN-ASSEMBLED	B	1811928-3
NICKEL	PROVIDED UN-ASSEMBLED	A	1811928-2
NICKEL	PROVIDED UN-ASSEMBLED	N	1811928-1
FINISH	QUADRAX CONTACT 1445693-3 QTY=8	SHELL KEYING ARRANGEMENT	PART NUMBER

- 1, -2, -3, -10, -11 AND -12 CONNECTOR KIT INCLUDES TYCO ELECTRONICS QUADRAX PIN ASSEMBLY; PART NUMBER 1445693-3. QTY = 8 PER KIT.
- △ PART IS MARKED WITH TYCO ELECTRONICS PART NO. (SEE TABLE), TYCO ELECTRONICS LOGO OR TE, AND DATE CODE.
- OPERATING TEMPERATURE RANGE: -65°C TO +125°C (-85°F TO +257°F).
- THE CONNECTOR QUALIFICATION WAS COMPLETED PER TYCO ELECTRONICS 108-2199. THE QUADRAX CONTACTS ARE QUALIFIED PER TYCO ELECTRONICS 108-2131. THE REFERENCE TEST REPORTS ARE TYCO ELECTRONICS 501-660 FOR THE CONNECTOR AND 501-574 FOR THE CONTACTS WHICH ARE SAME AS ARINC 600-13, DRAFT 2 OF SUPPLEMENT 14 (AIR TRANSPORT AVIONICS EQUIPMENT INTERFACES).

THIS DRAWING IS A CONTROLLED DOCUMENT.

DWN R FLAIG 17MAY2005
 CHK L OH 17MAY2005
 APVD L OH 17MAY2005

STE TE Connectivity

NAME ASSY, PLUG, SIZE 25, 808, M38999 STYLE

SIZE A2 CAGE CODE 00779 DRAWING NO. C-1811928 RESTRICTED TO

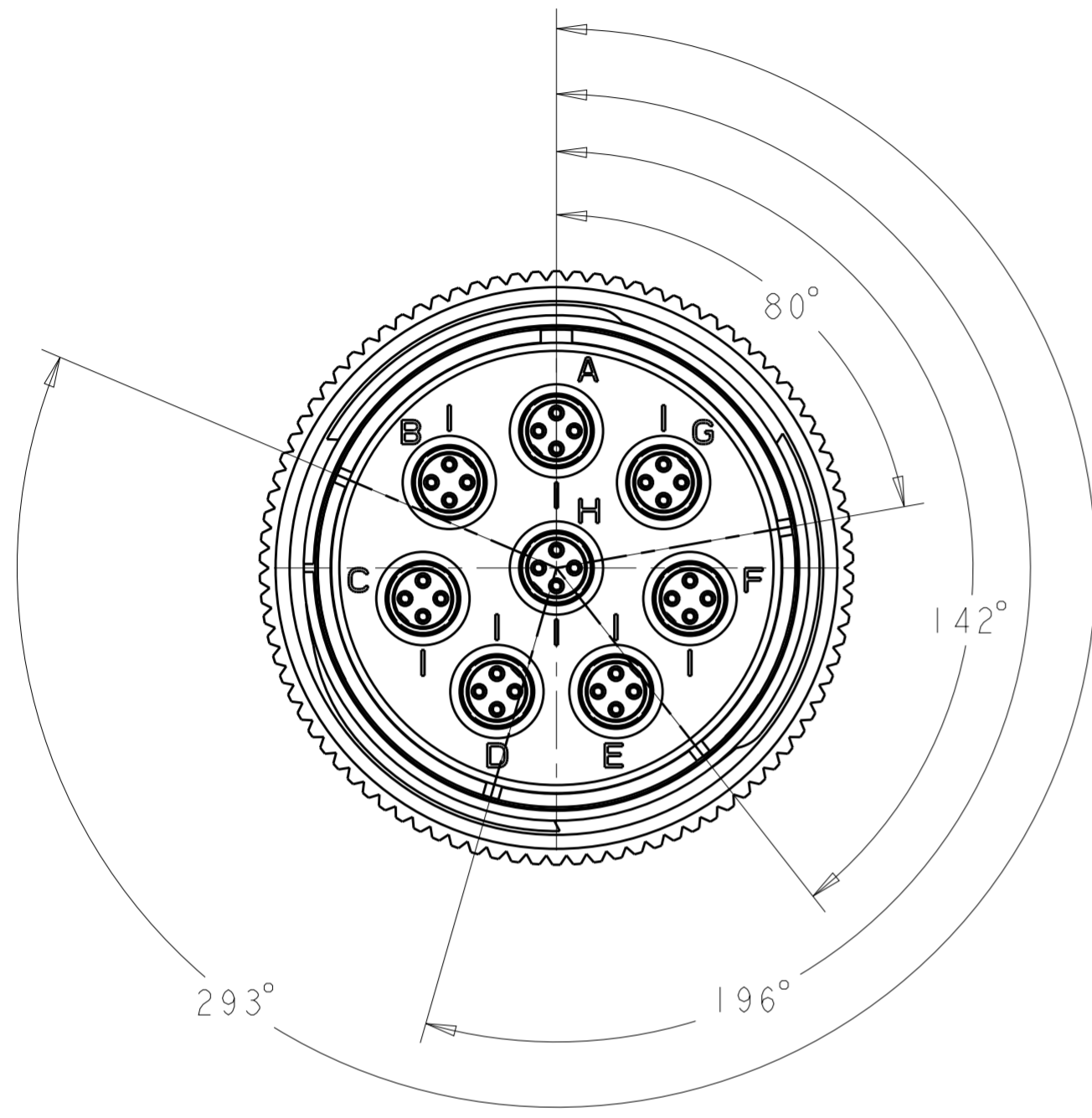
MATERIAL - DIMENSIONS: INCHES TOLERANCES UNLESS OTHERWISE SPECIFIED: 0 PLC ±.1, 1 PLC ±.01, 2 PLC ±.005, 3 PLC ±.0020, 4 PLC ANGLES ±. FINISH -

PRODUCT SPEC - APPLICATION SPEC - WEIGHT -

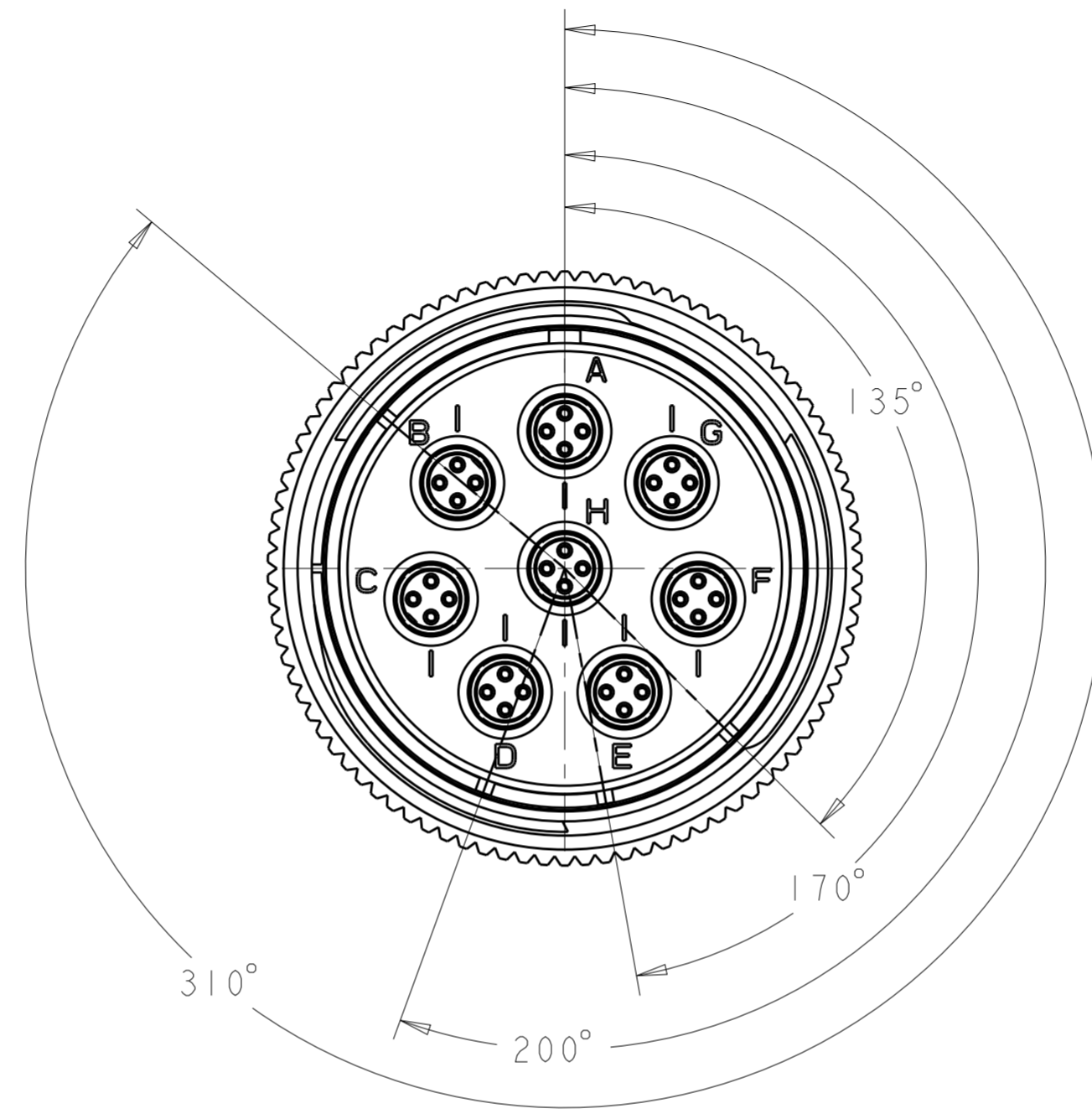
CUSTOMER DRAWING SCALE 2:1 SHEET 1 OF 2 REV G

THIS DRAWING IS UNPUBLISHED. RELEASED FOR PUBLICATION 20
 © COPYRIGHT 20 BY - ALL RIGHTS RESERVED.

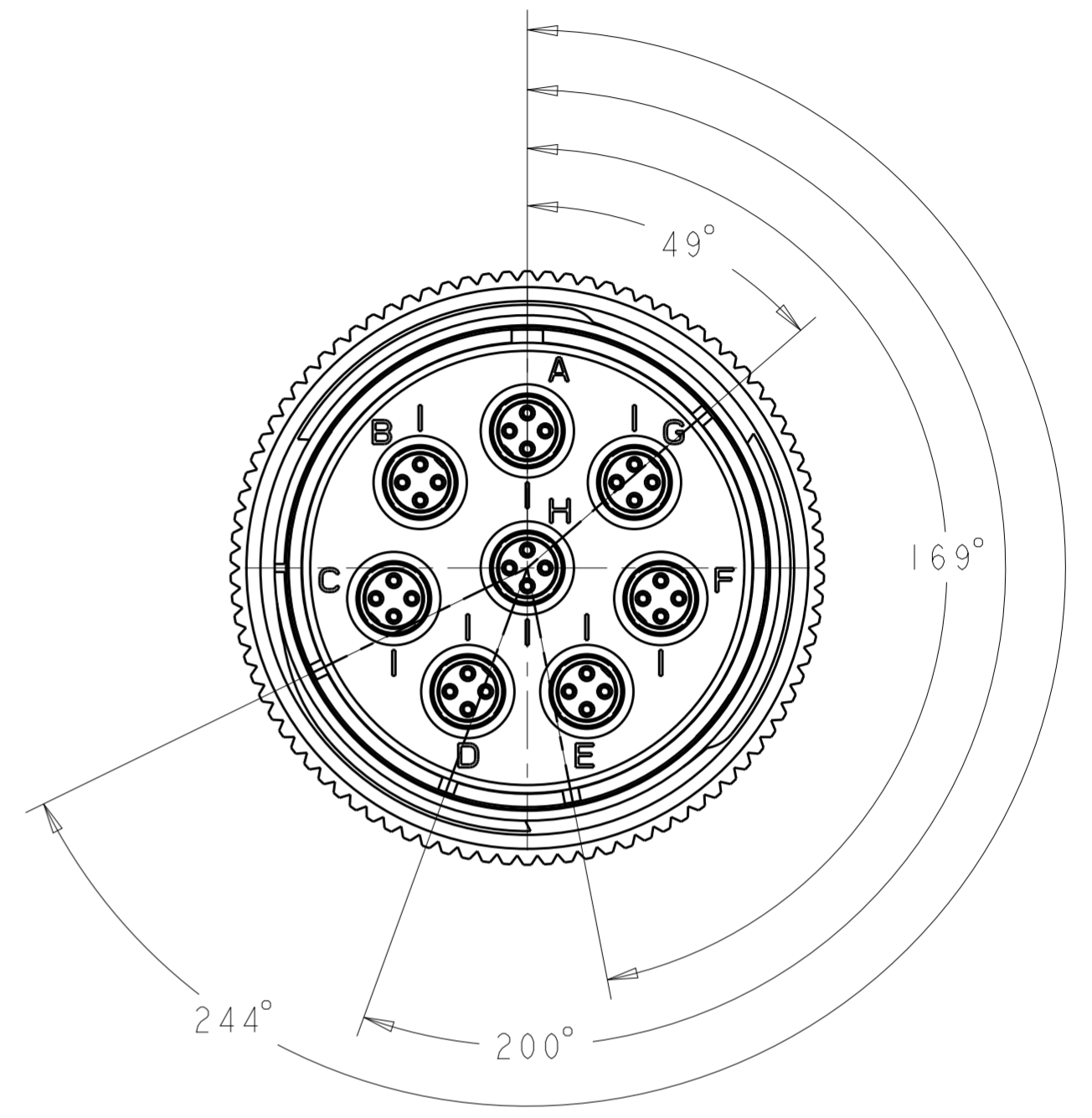
REVISIONS				
P	LTR	DESCRIPTION	DATE	APVD
-		SEE SHEET 1	-	-



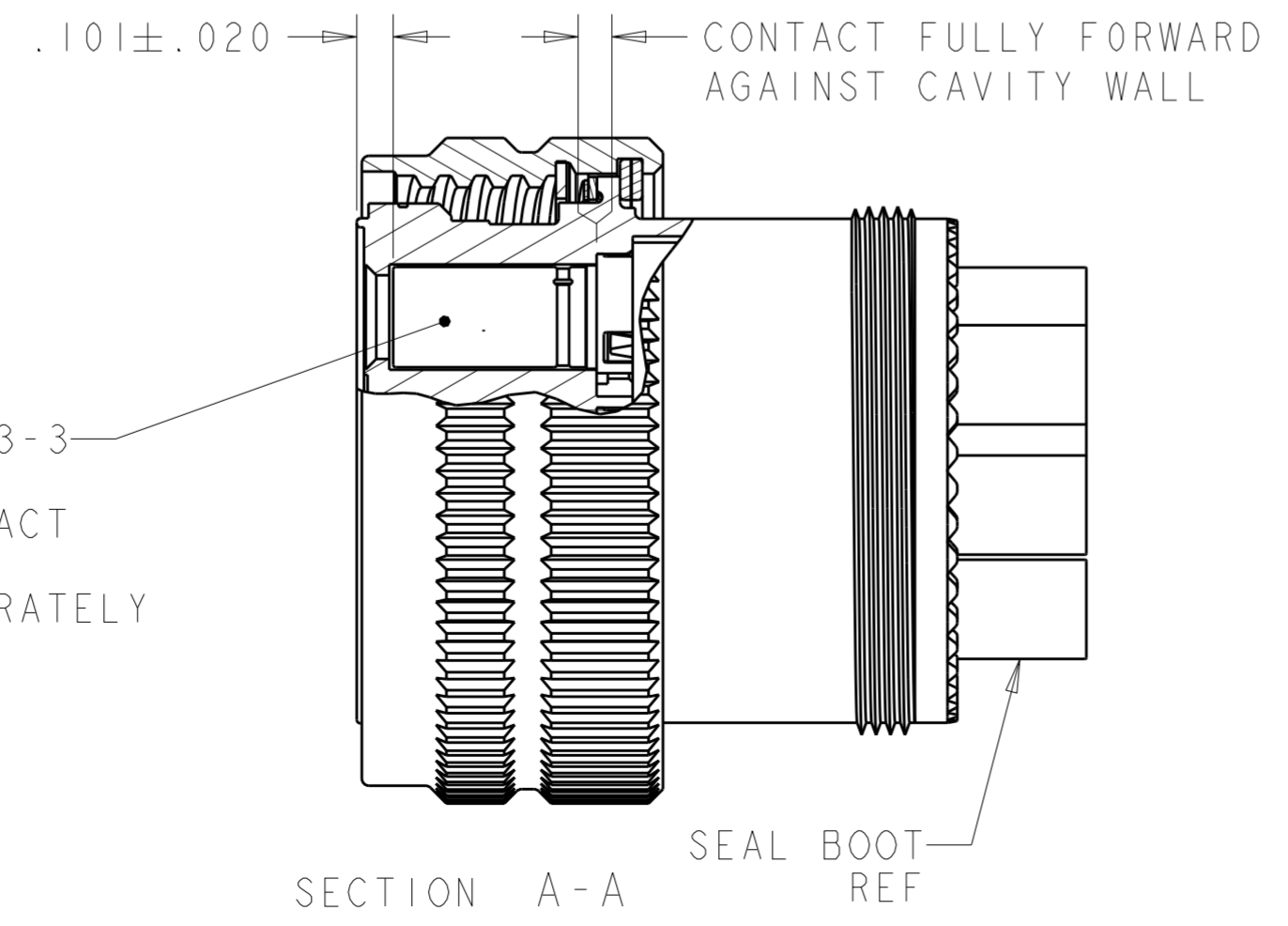
1811928-1
 "N" KEY POLARIZATION



1811928-2
 "A" KEY POLARIZATION



1811928-3
 "B" KEY POLARIZATION



QUADRAX SOCKET ASSY, 1445693-3
 SHOWN FOR REF ONLY
 -1, -2, -3, -10, -11 & -12 CONTACT
 PROVIDED UN-ASSEMBLED
 -7, -8, & -9 CONTACT SOLD SEPARATELY

THIS DRAWING IS A CONTROLLED DOCUMENT.		DWN R FLAIG 17MAY2005	TE Connectivity	
DIMENSIONS: INCHES		CHK L OH 17MAY2005		
TOLERANCES UNLESS OTHERWISE SPECIFIED:		APVD L OH 17MAY2005	NAME ASSY, PLUG, SIZE 25, 808, M38999 STYLE	
0 PLC ±- 1 PLC ±.1 2 PLC ±.01 3 PLC ±.005 4 PLC ±.0020 ANGLES ±- FINISH -		PRODUCT SPEC -	SIZE CAGE CODE DRAWING NO A200779 C-1811928	
MATERIAL -		APPLICATION SPEC -	RESTRICTED TO -	
		WEIGHT -	SCALE 2:1 SHEET 2 OF 2 REV G	
		CUSTOMER DRAWING		