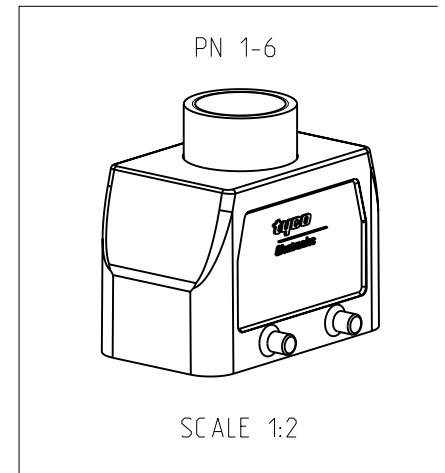
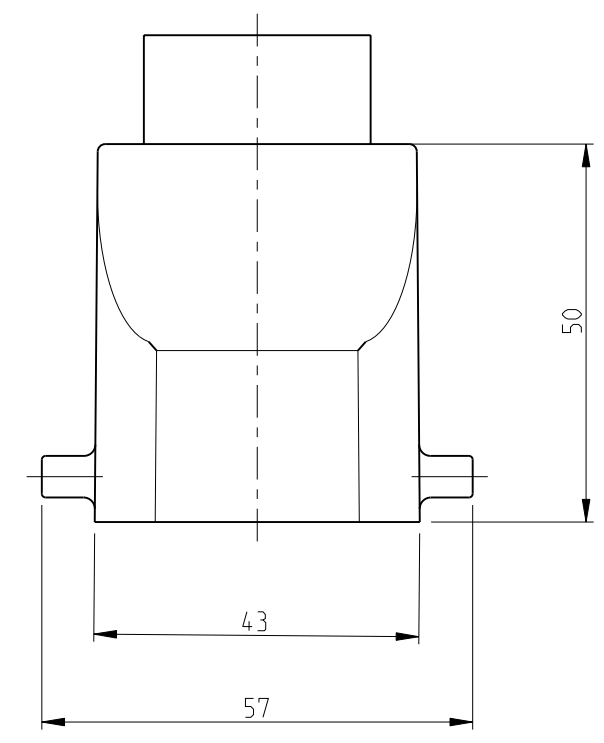
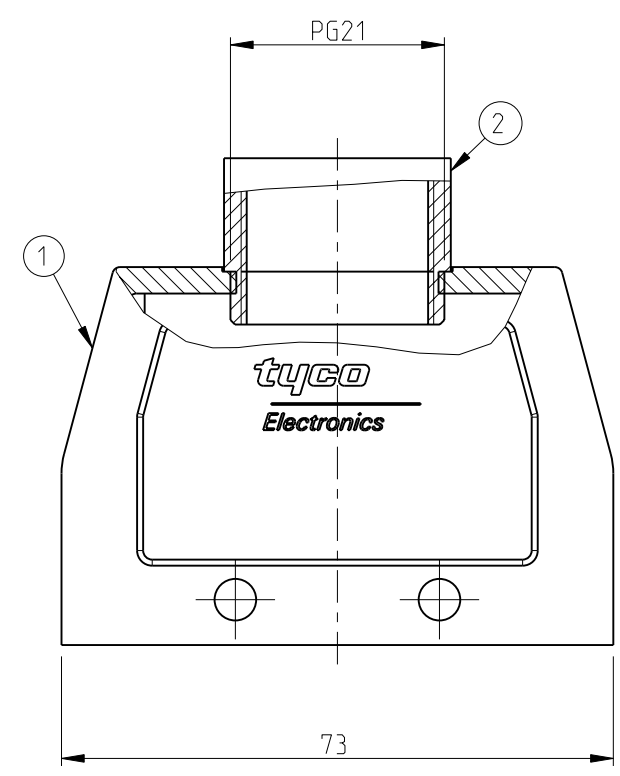


THIS DRAWING IS UNPUBLISHED. RELEASED FOR PUBLICATION .1999.
 © COPYRIGHT 1998 BY TYCO ELECTRONICS CORPORATION. ALL RIGHTS RESERVED.

LOC	DIST	REVISIONS				
P	LTR	DESCRIPTION	DATE	DWN	APVD	
A1	-	A2	Released as per ECR-07-030422	17.12.07	SP	TS

- NOTES.
- 1 Material:Housing:Aluminium Diecasting Alloy
 - 2 Surface-Powder Varnish Grey
 - 3 Varnish on the inside not necessary
 - 4 Packaging
Quantity 5 Pieces in a box

PN 1-6



1-6	DESCRIPTION	MATERIAL	SURFACE	COLOR	ITEM NO	NOTES
1	Adaptor round	Brass	Nickel plated	Blue	2	PG21
1	Hood HB	Aluminium	-	Grey	1	-

ORDERING TEXT
HB.10.ST0.1.21.Z

<small>THIS DRAWING IS A CONTROLLED DOCUMENT FOR TYCO ELECTRONICS CORPORATION IT IS SUBJECT TO CHANGE AND THE CONTROLLING ENGINEERING ORGANIZATION SHOULD BE CONTACTED FOR THE LATEST REVISION.</small>		DWN Schneider 09.12.02 CHK Schweiger 09.12.02 APVD - PRODUCT SPEC - APPLICATION SPEC - WEIGHT -	Tyco Electronics Tyco Electronics,AMP.GmbH D-53819,Neunkirchen,Germany
DIMENSIONS: mm 	TOLERANCES UNLESS OTHERWISE SPECIFIED: n,ISO 8015 n,ISO 2768-mH-E n,DIN 4150-120 0 PLC ± 1 PLC ± 2 PLC ± 3 PLC ± 4 PLC ± ANGLES ±	NAME Hood HB.10.ST0.1.21.Z	SIZE A3 CAGE CODE 00779 DRAWING NO ©=1102269 RESTRICTED TO -
MATERIAL -	FINISH -	CUSTOMER DRAWING SCALE 1:1 SHEET 1 OF 1 REV A2	

Mouser Electronics

Authorized Distributor

Click to View Pricing, Inventory, Delivery & Lifecycle Information:

[TE Connectivity:](#)

[1-1102269-6](#)