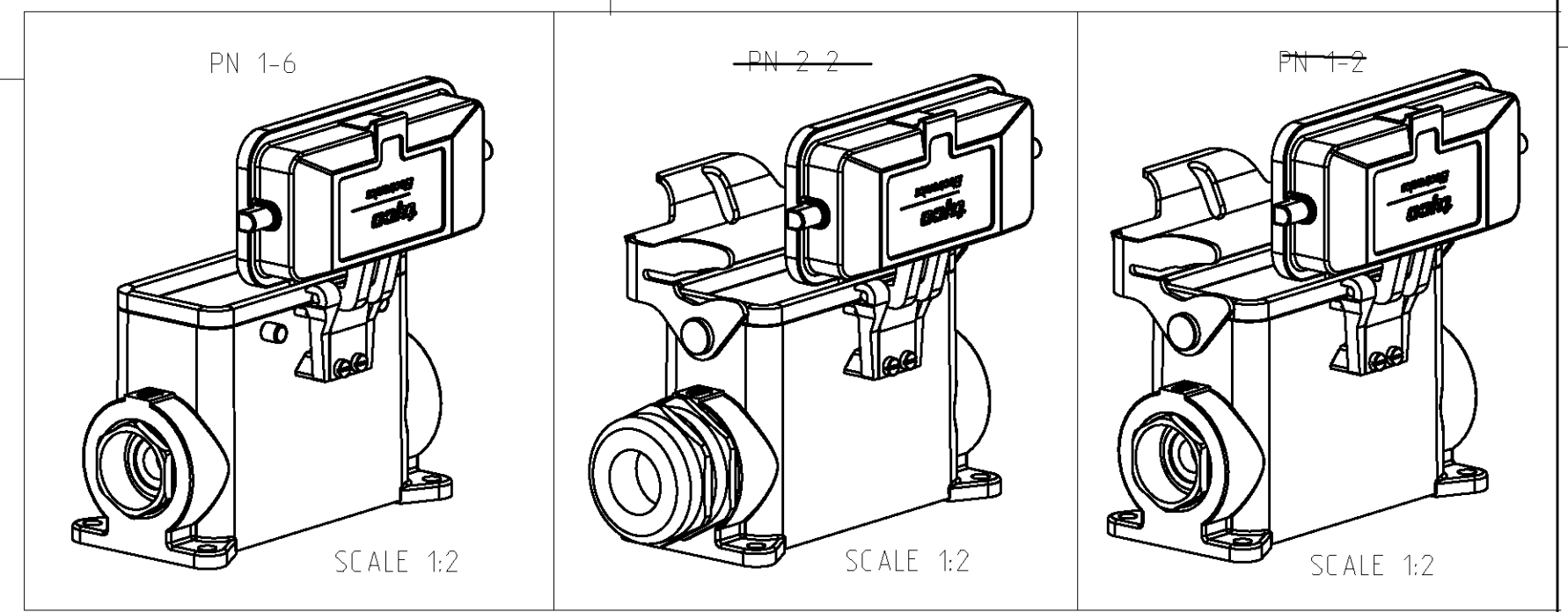
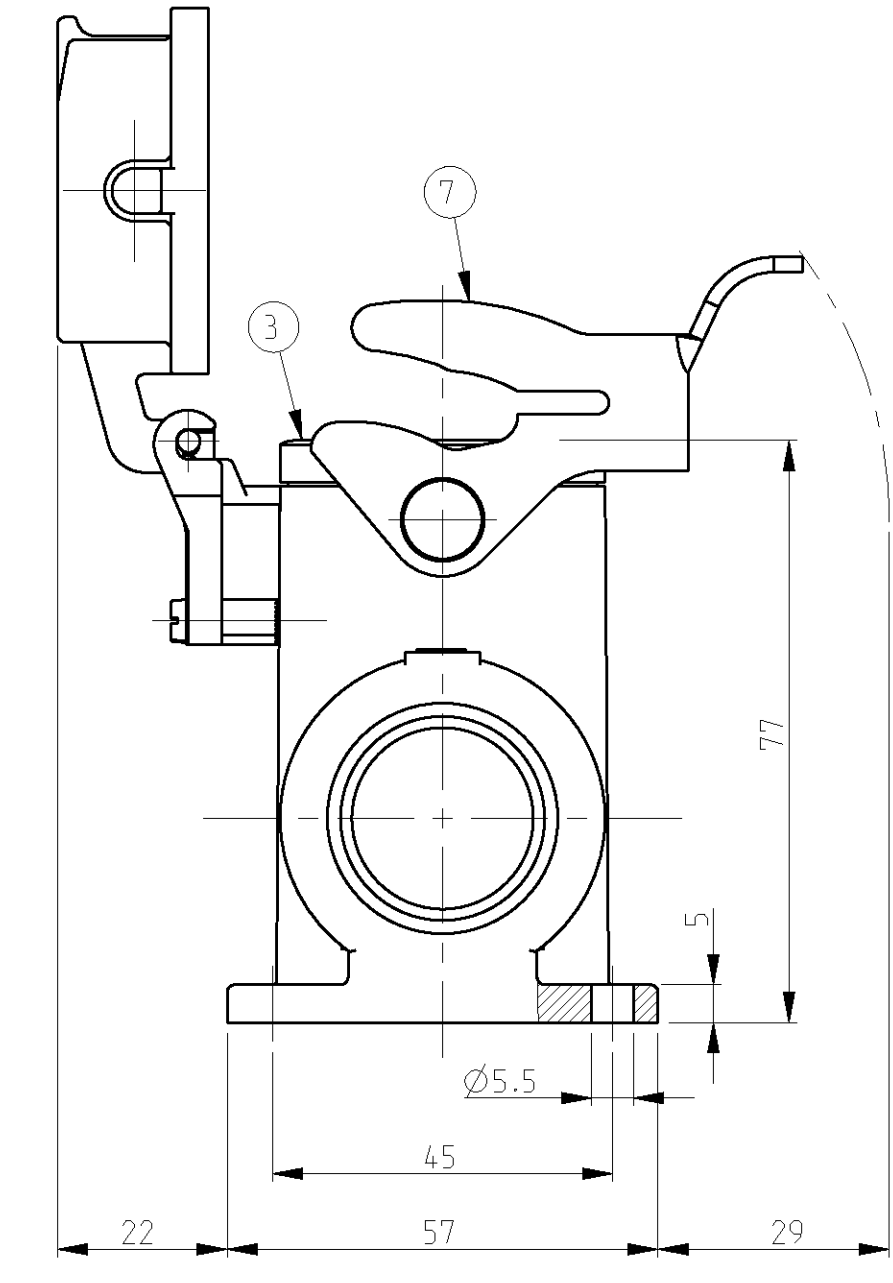
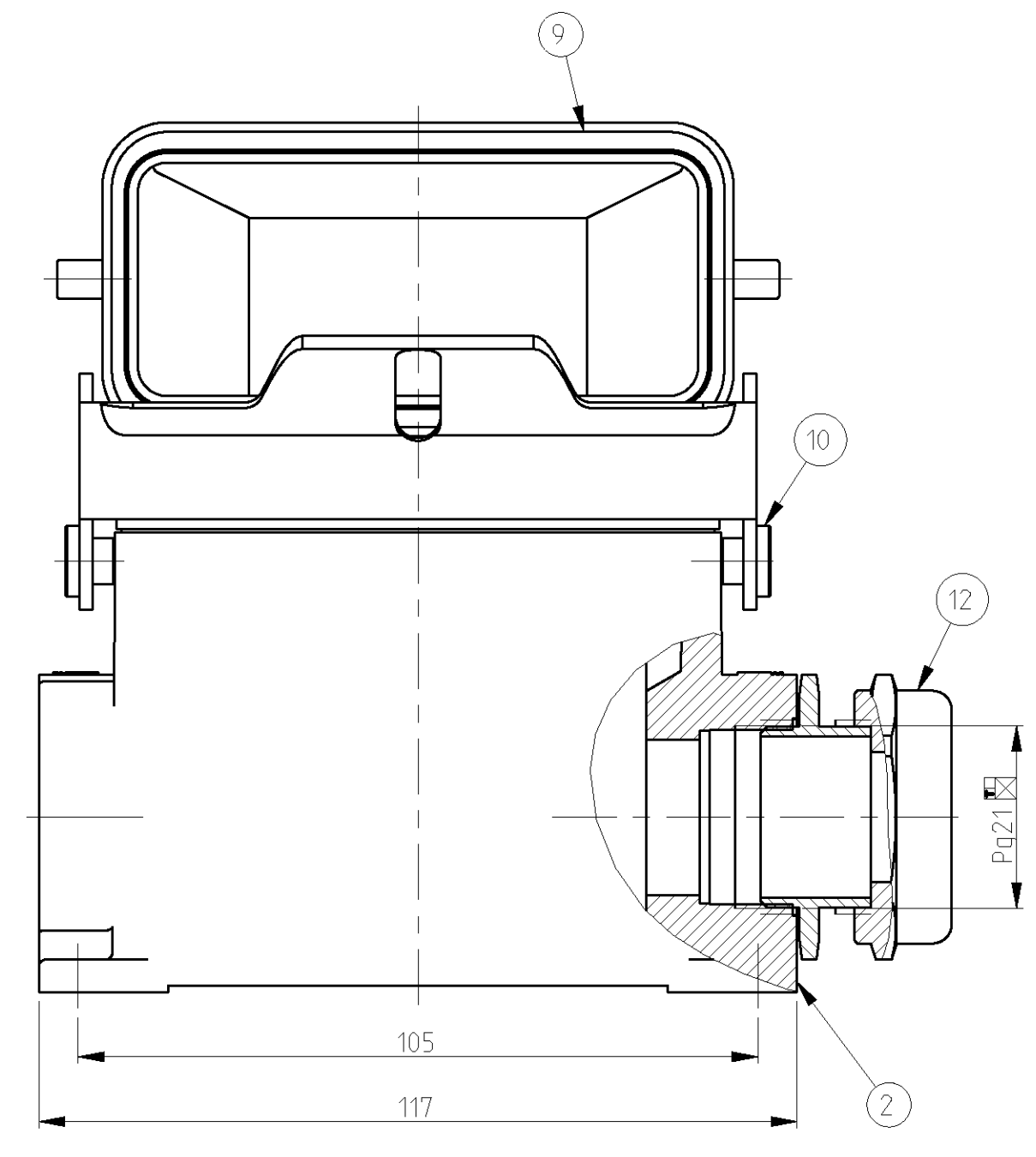
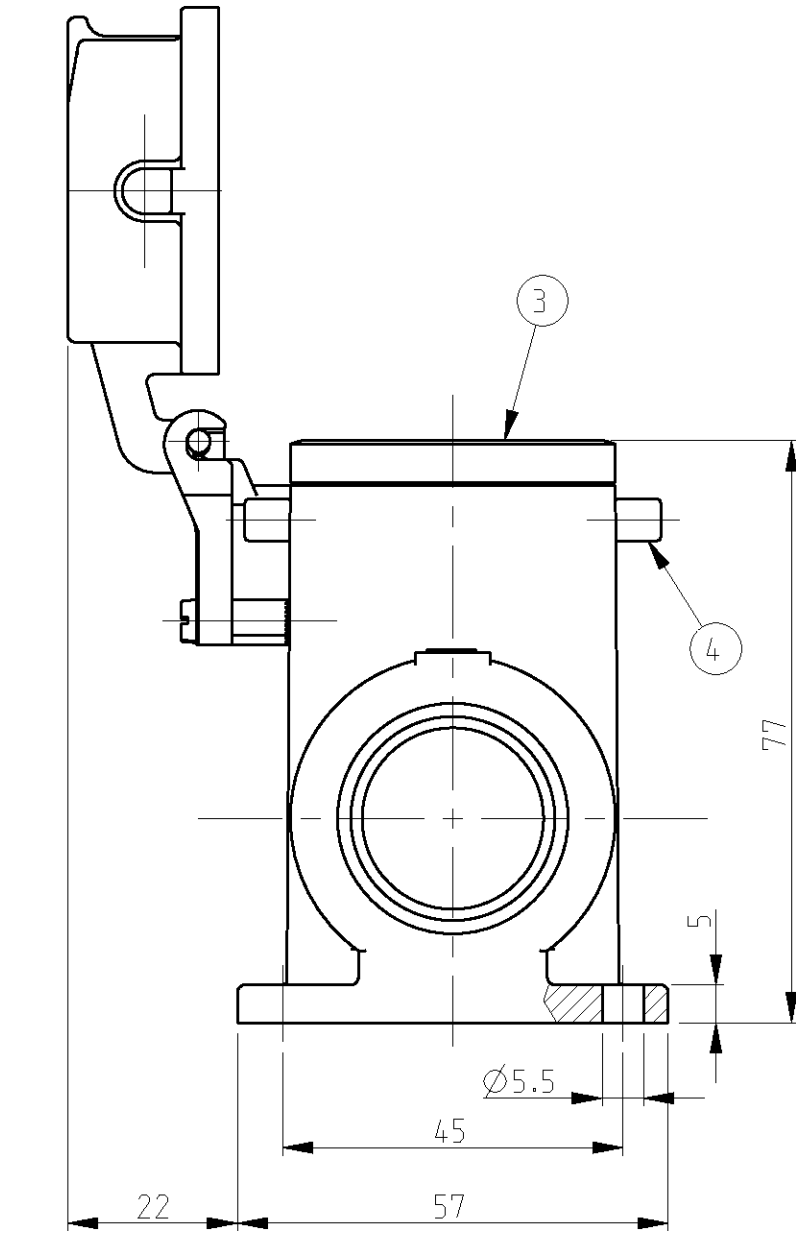
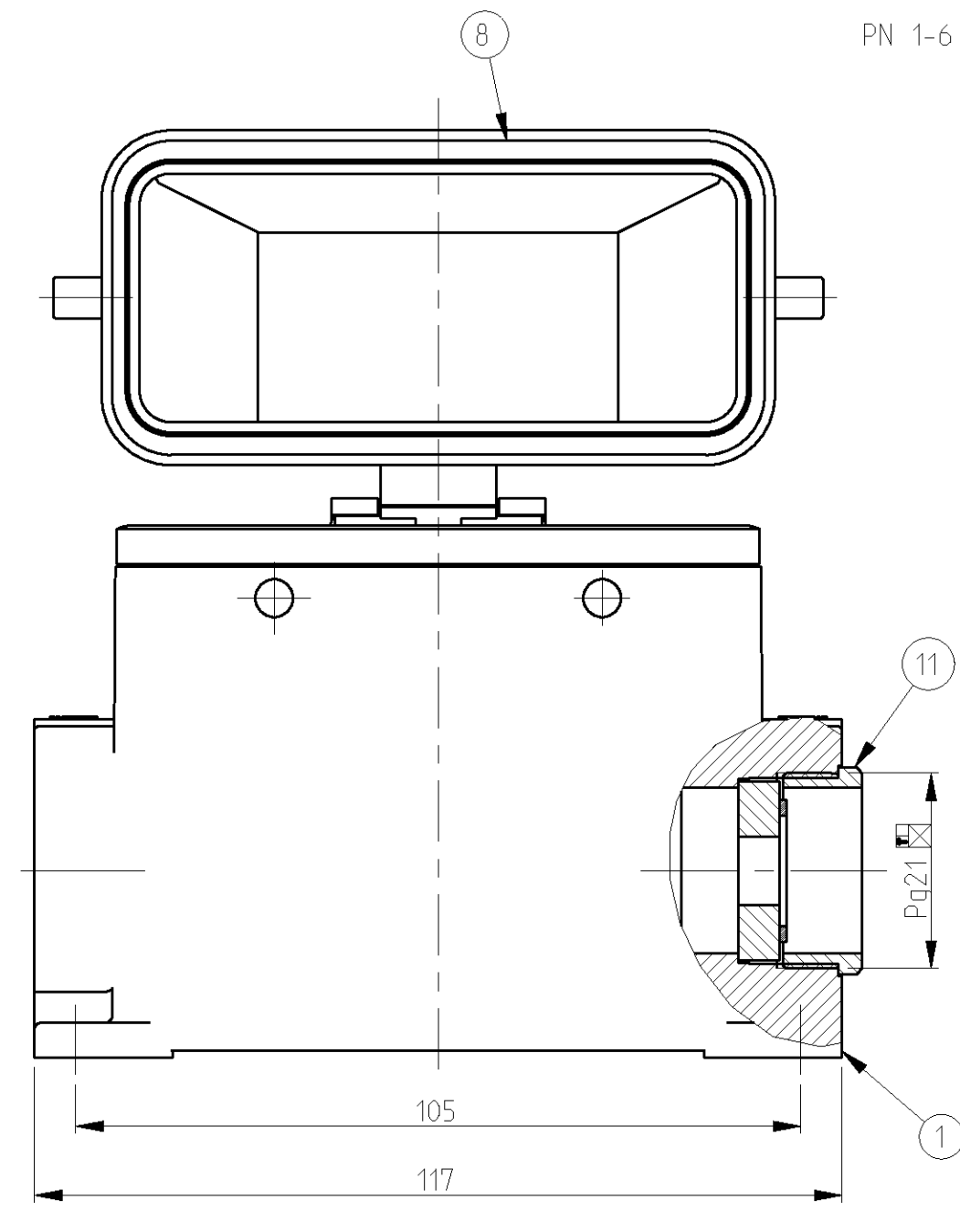
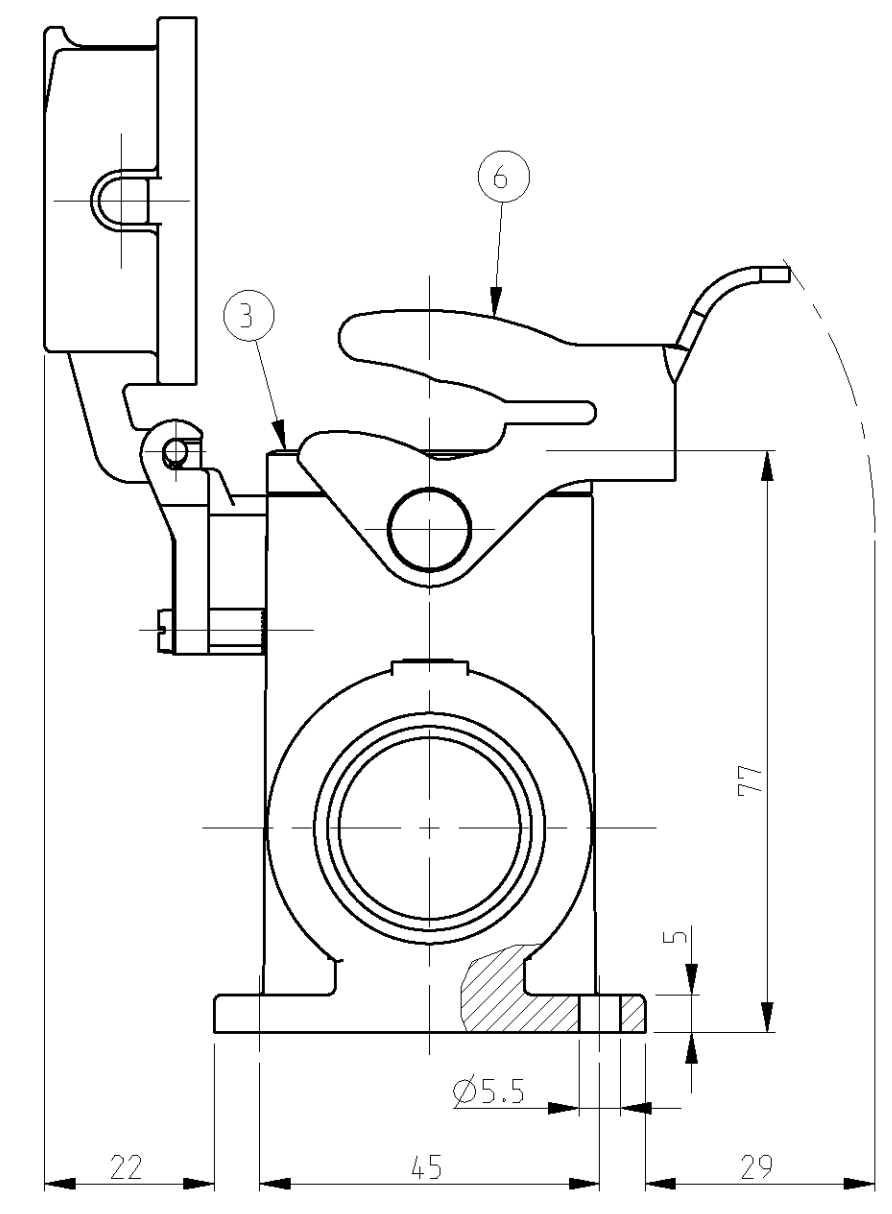
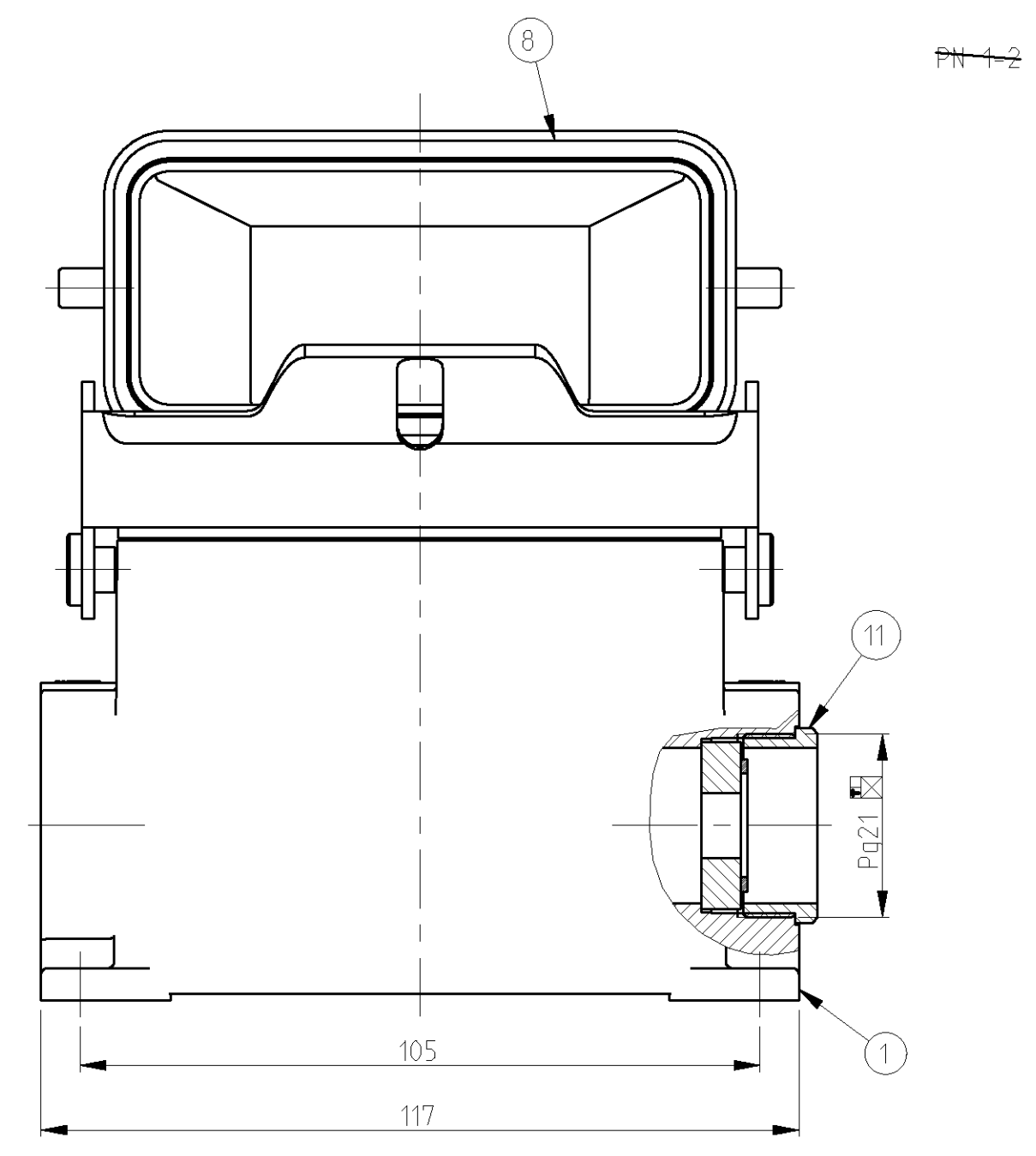


LOC	DISC	REV	DATE	DWN	APVD	
A1	-	A3	Released as per ECR-08-015813	23.JUN.2008	SP	TS
		A4	REVISED PER ECO-09-027197	20JAN10	KK	HMR

- NOTES.
- 1 Material:Housing:Aluminium Diecasting Alloy
Seals:Neoprene
 - 2 Surface:Varnish grey
-Aluminium Oxide +Varnish Black
 - 3 Varnish on the inside not necessary
 - 4 Packaging
Quantify 5 Pieces in a box
- ⚠** OBSOLETE PARTS. OBSOLETE CIS STREAMLINING PER D.RENAUD/D.SINISI



QTY	DESCRIPTION	MATERIAL	SURFACE	COLOR	ITEM NO	REMARKS
1	Gland fitting PG21	Brass	Nickel plated		12	
1	DS-Cable connection round PG21	Brass	Nickel plated		11	
2	LB-Clip bolt	Stainless steel	Blank		10	
1	Cover HB.16	Aluminium	Aluminium oxide	Black	9	
1	Cover HB.16	Aluminium	Aluminium oxide	Black	8	
1	LB-Side clip	Stainless steel	Blank	Grey	7	
1	LB-Side clip	Steel	Zinc plated		6	
4	VS-Clip bolt	Stainless steel	Blank		5	
4	VS-Clip bolt	Steel	Zinc plated		4	
1	Profile seal	Neoprene		Black	3	
1	Surface mounted housing HD.40.Pg.1.21	Aluminium	Aluminium oxide	Black	2	
1	Surface mounted housing HD.40.Pg.1.21	Aluminium		Grey	1	

ORDERING TEXT
 HD.40.SGD.1.21
 HD-K.40.SGD.LB.1.21
 HD-K.40.SGD.LB.1.21

DIMENSIONS: mm 		TOLERANCES UNLESS OTHERWISE SPECIFIED: mm 0 PLC 1 PLC 2 PLC 3 PLC 4 PLC ANGLES		DWN: Schneider 21.01.2000 CHK: Schneider 21.01.2000 APVD: Schweiger	Tyco Electronics AMP GmbH D-53819 Neunkirchen, Germany
MATERIAL: FINISH		PRODUCT SPEC: APPLICATION SPEC:		NAME: Surface mounted housing side entry HD.40.SGD.1.21	
WEIGHT:		SIZE: CAGE CODE: DRAWING NO:		RESTRICTED TO:	
CUSTOMER DRAWING		SCALE: 1:1 SHEET 1 OF 1		REV: A4	

Mouser Electronics

Authorized Distributor

Click to View Pricing, Inventory, Delivery & Lifecycle Information:

[TE Connectivity:](#)

[1-1102588-6](#)