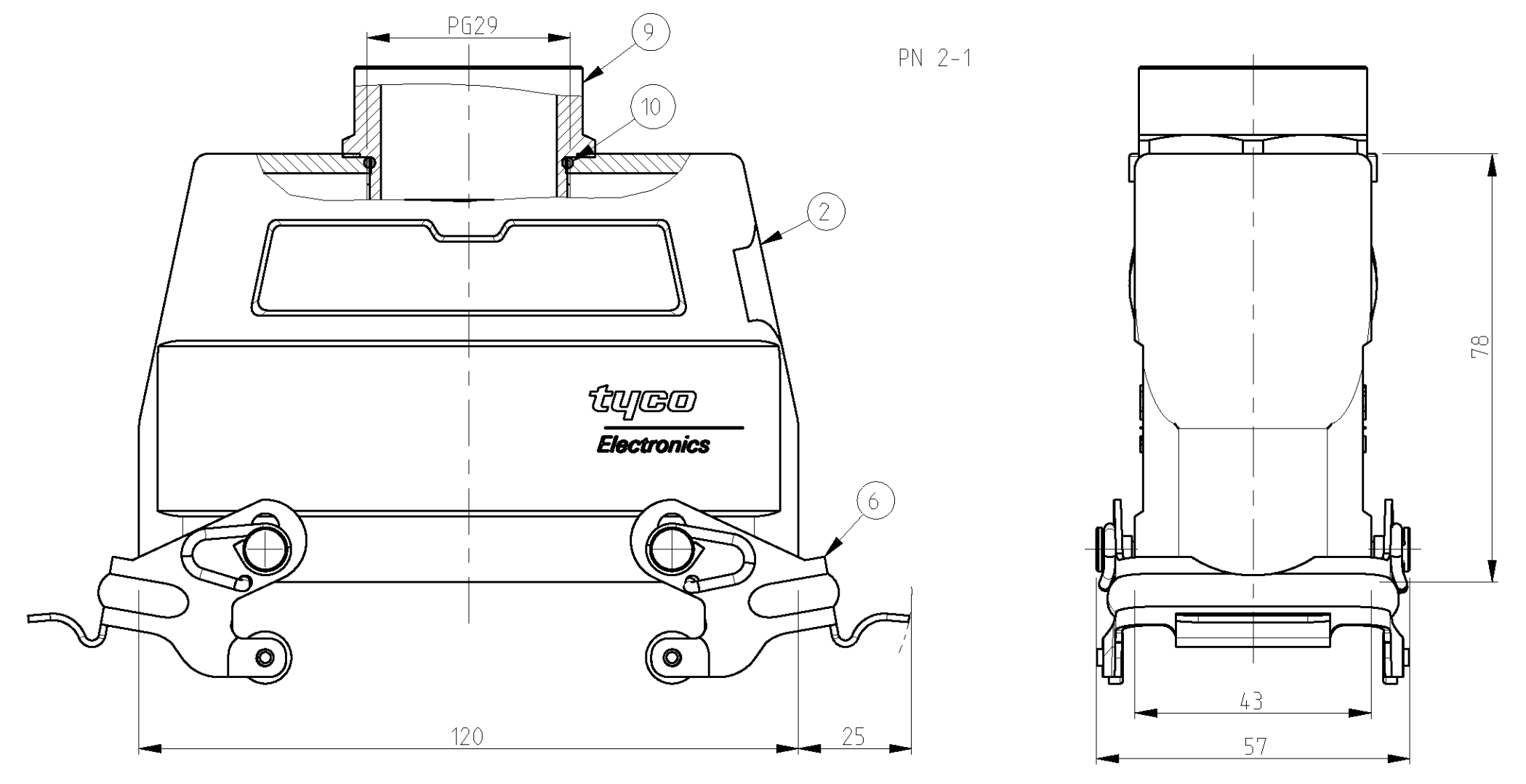
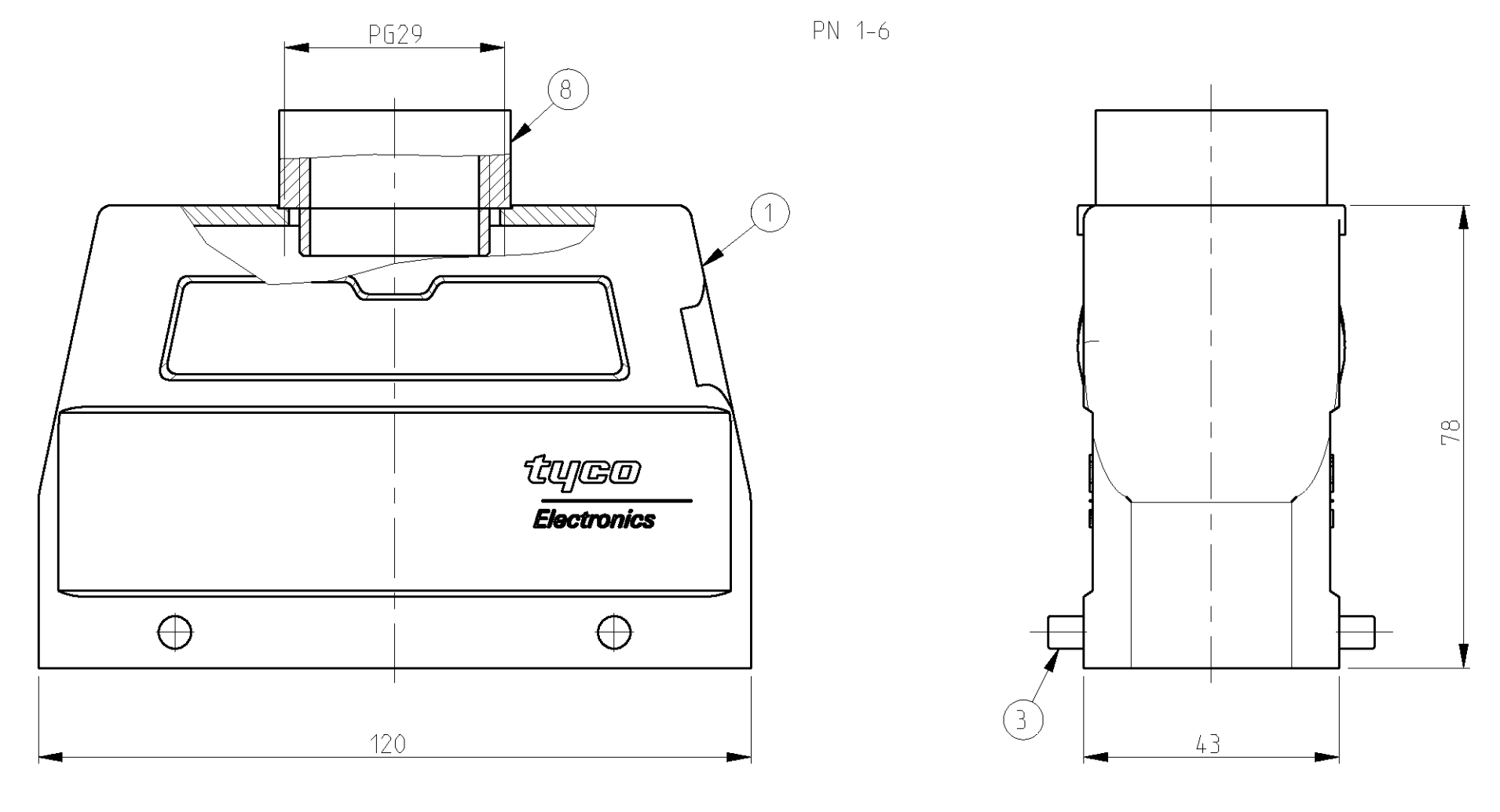
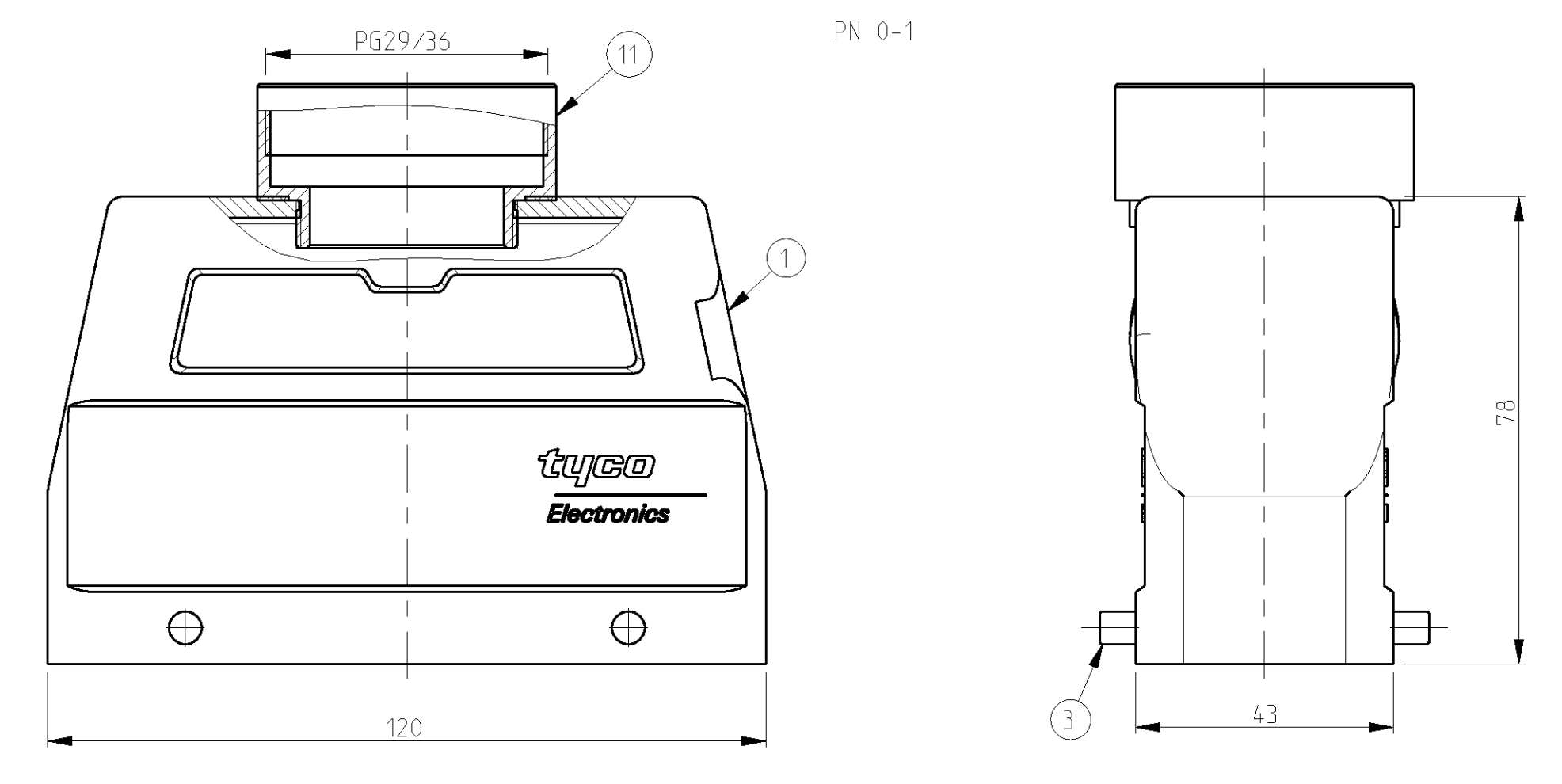
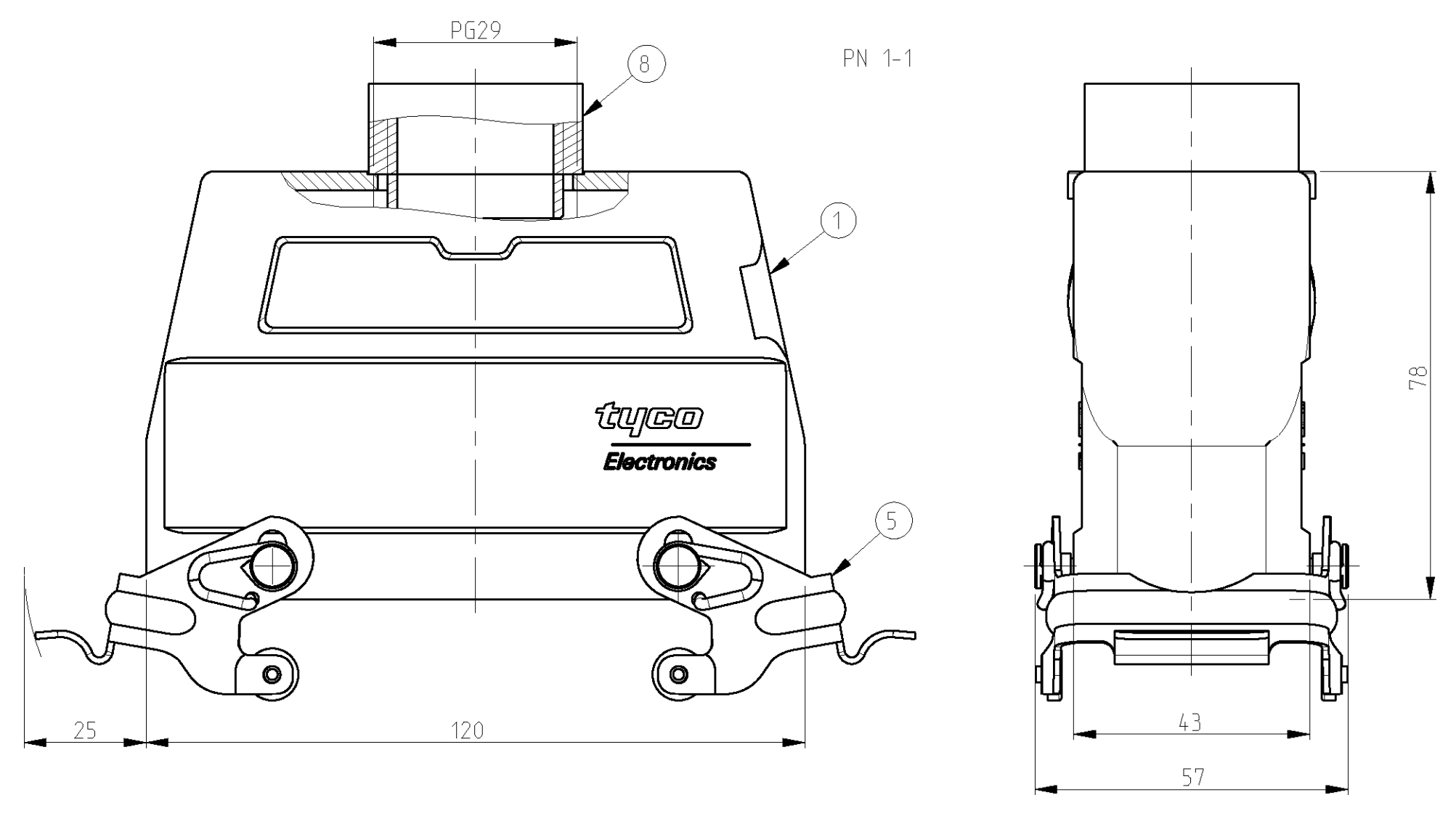
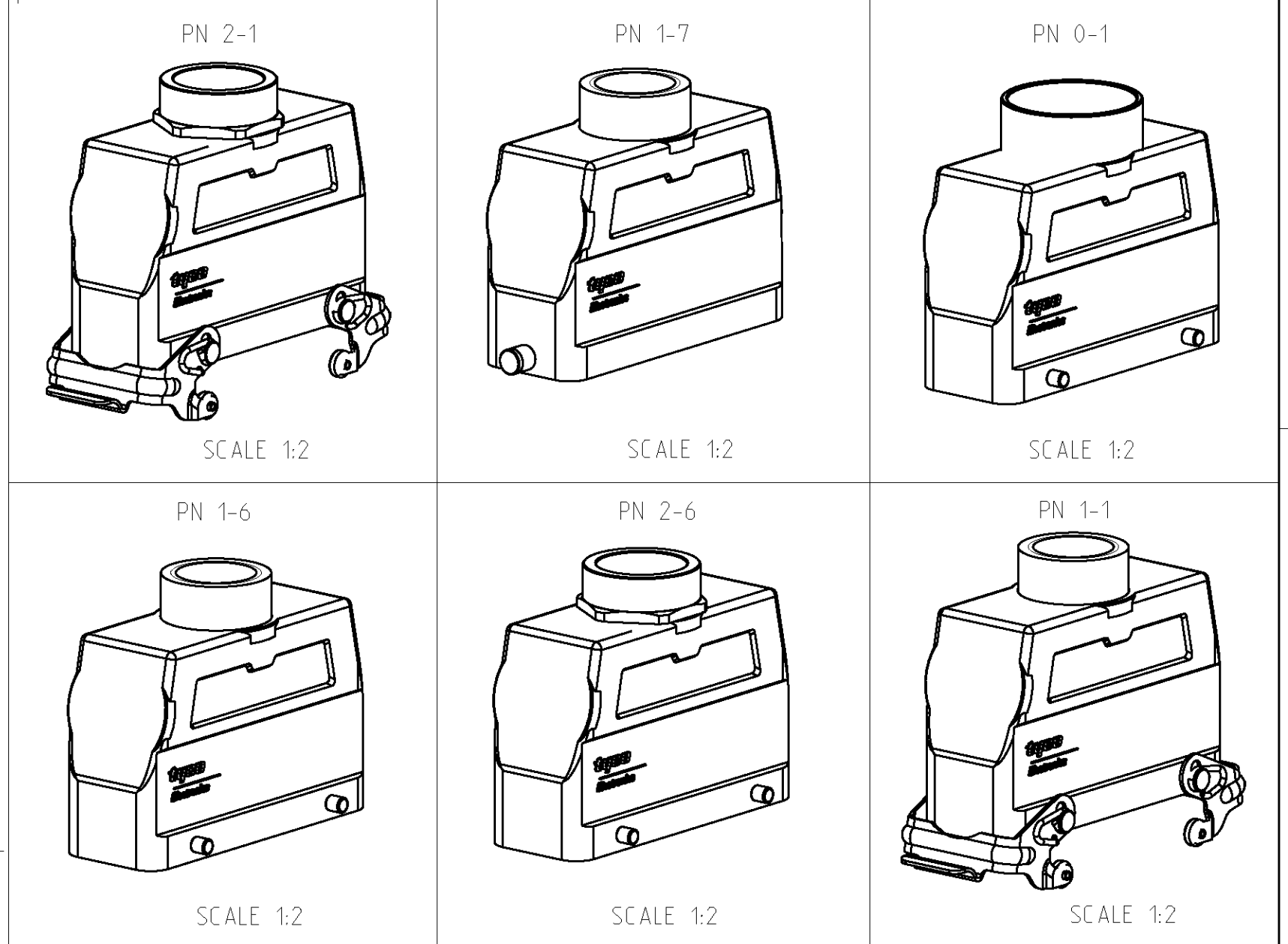
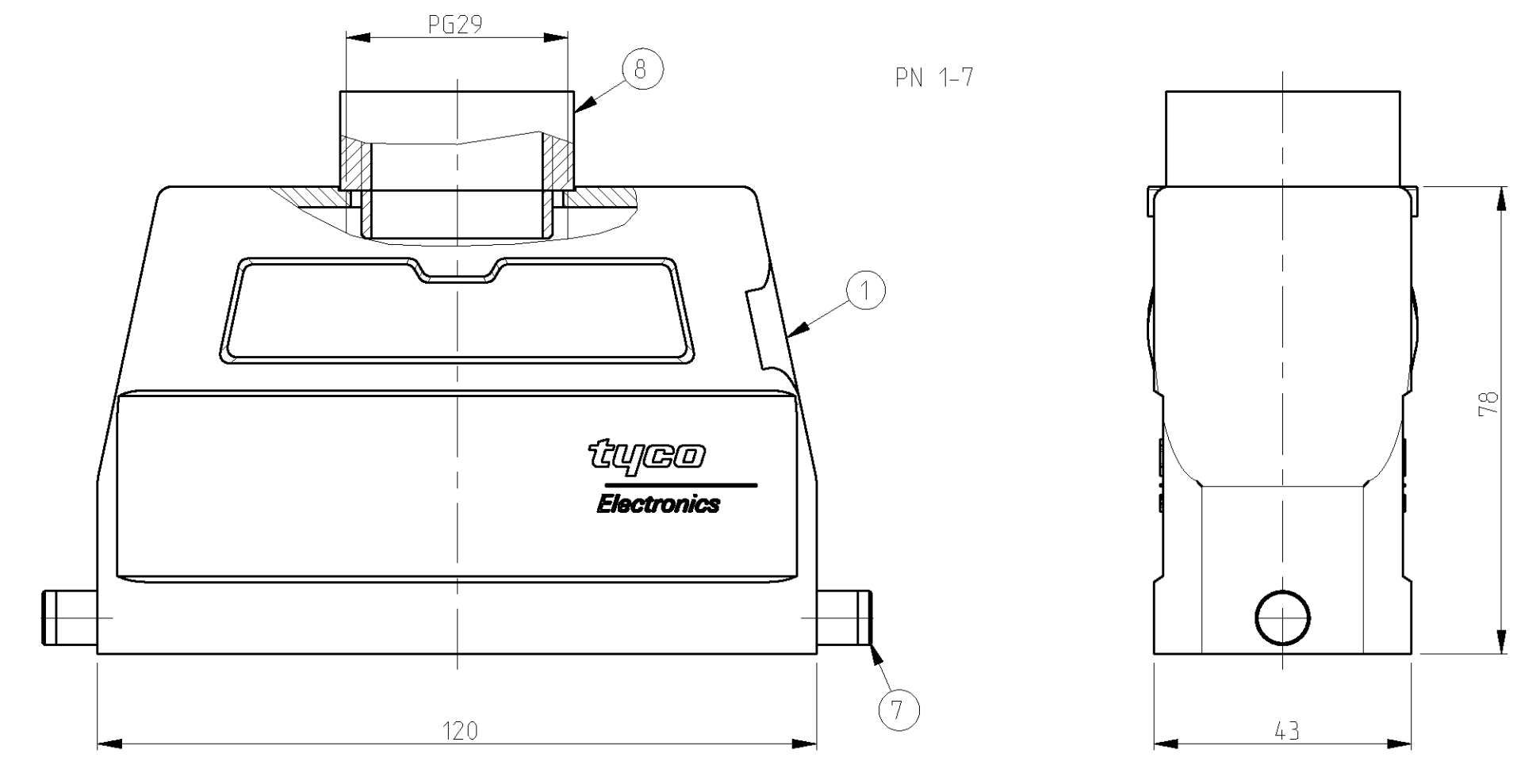
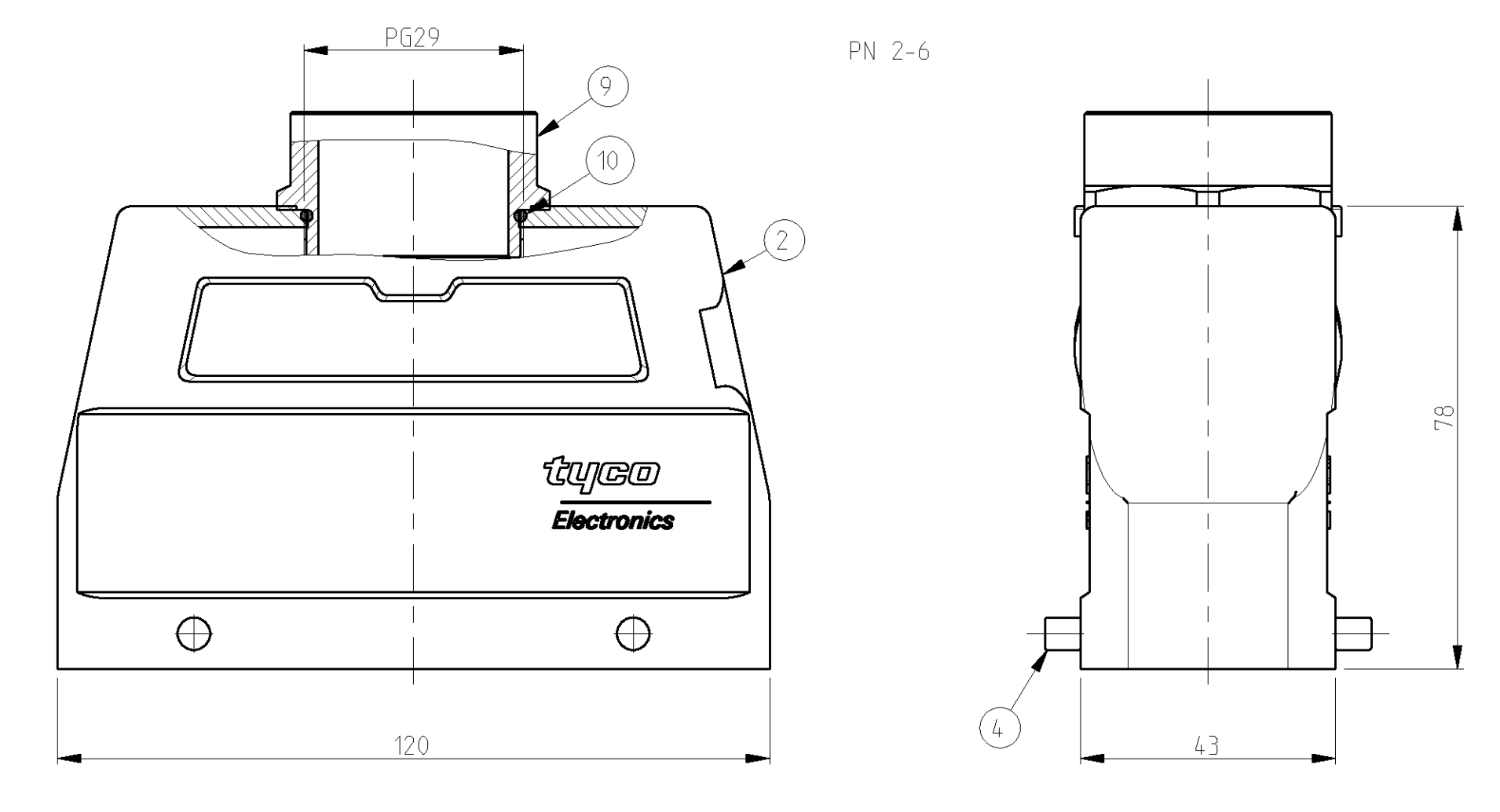


LOC	DIST	REVISIONS			
		REV	DATE	BY	APPV
A1		A3	Released as per ECR-07-030424	17.12.07	SP TS
		A4	REVISED PER ECO-09-027197	08JAN10	KK AEG



- NOTES.
- Material:Housing:Aluminium Diecasting Alloy
 - Surface:Varnish grey
 - Varnish on the inside not necessary
 - Packaging
Quantity 5 Pieces in a box
- ⚠️ OBSOLETE PARTS: OBSOLETE CIS STREAMLINING PER D.RENAUD/D.SINISI



QTY	DESCRIPTION	MATERIAL	SURFACE	COLOR	ITEM NO	REMARKS
1	Extension Pg29/36	Brass	Nickel plated	-	11	
1	O ring	Neoprene	-	Black	10	
1	6-Kt-adaptor round	Brass	Nickel plated	-	9	
1	Cable connection round	Brass	Nickel plated	-	8	
2	LB-Side bolt	Steel	Zinc plated	Blue	7	
2	VS-Locking clip	Stainless steel	-	-	6	
2	VS-Locking clip	Steel	Zinc plated	Blue	5	
4	VS-Clip bolt	Stainless steel	-	-	4	
4	VS-Clip bolt	Steel	Zinc plated	Blue	3	
1	Hood HD.64.Pg.1.29	Aluminium	Aluminium oxide	Black	2	
1	Hood HD.64.Pg.1.29	Aluminium	-	Grey	1	

ORDERING TEXT:
 HD.64.Sto.1.29.Z
 HD-K.64.Sto.1.29.Z
 HD.64.Sto-VS.1.29.Z
 HD-K.64.Sto-VS.1.29.Z
 HD.64.Sto-GR.1.29.Z
 HD.64.Sto.1.29.ERW.29./36

TYCO ELECTRONICS CORPORATION, ALL RIGHTS RESERVED. THIS DRAWING IS UNPUBLISHED. RELEASED FOR PUBLICATION. 1997 BY TYCO ELECTRONICS CORPORATION, ALL RIGHTS RESERVED.

DATE: 09.12.1998
 DWG: Schneider
 APPV: Schwaiger

Tyco Electronics Tyco Electronics AMP GmbH
 0-53819,Neunkirchen,Germany

PRODUCT SPEC: Hood
 HD.64.Sto.1.29.Z

SIZE: A1 | 00779 | C=1103343 | SHEET: 1 OF 1 | REV: A4

CUSTOMER DRAWING SCALE: 1:1

Mouser Electronics

Authorized Distributor

Click to View Pricing, Inventory, Delivery & Lifecycle Information:

[TE Connectivity:](#)

[1-1103343-1](#)