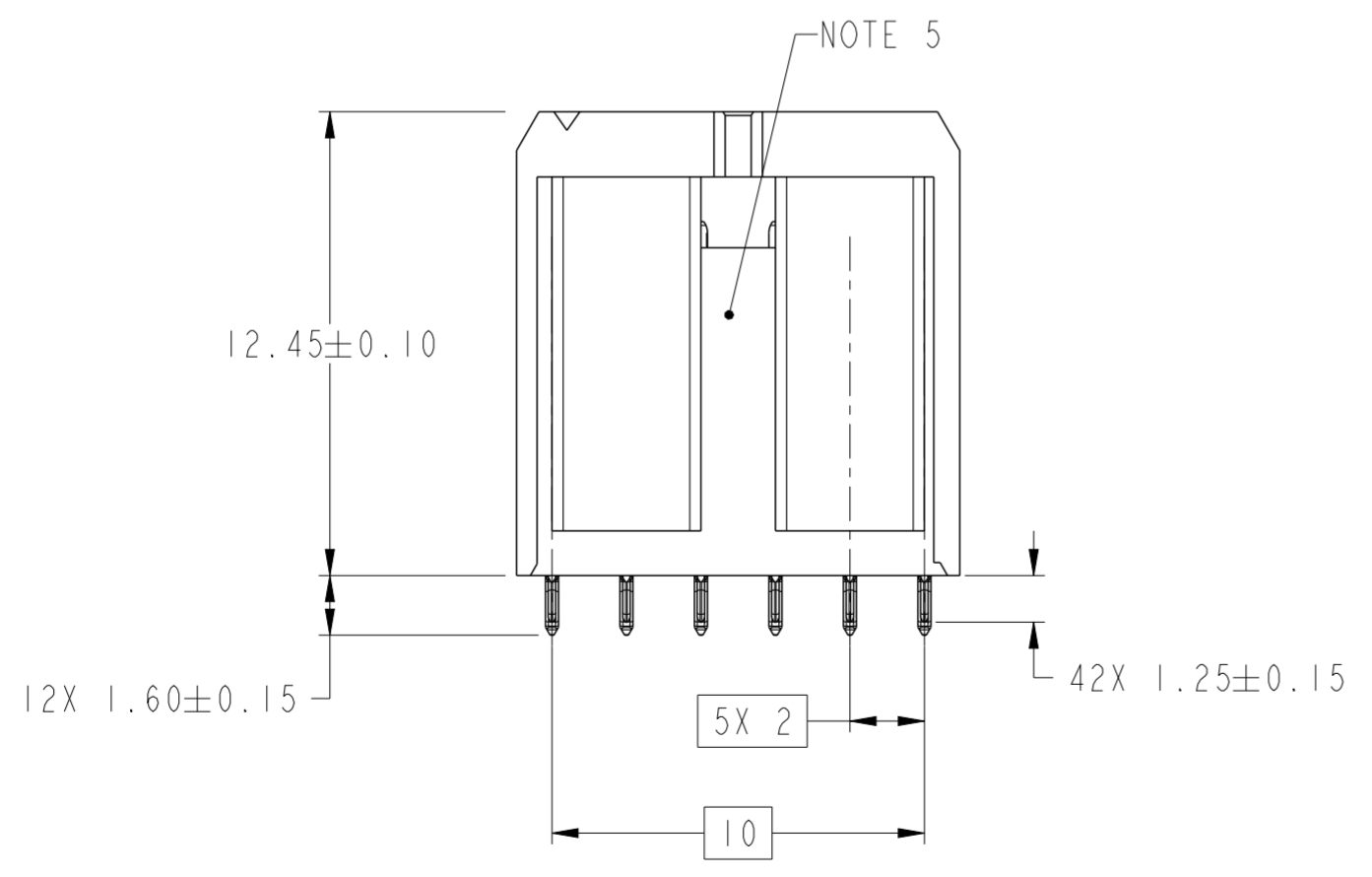
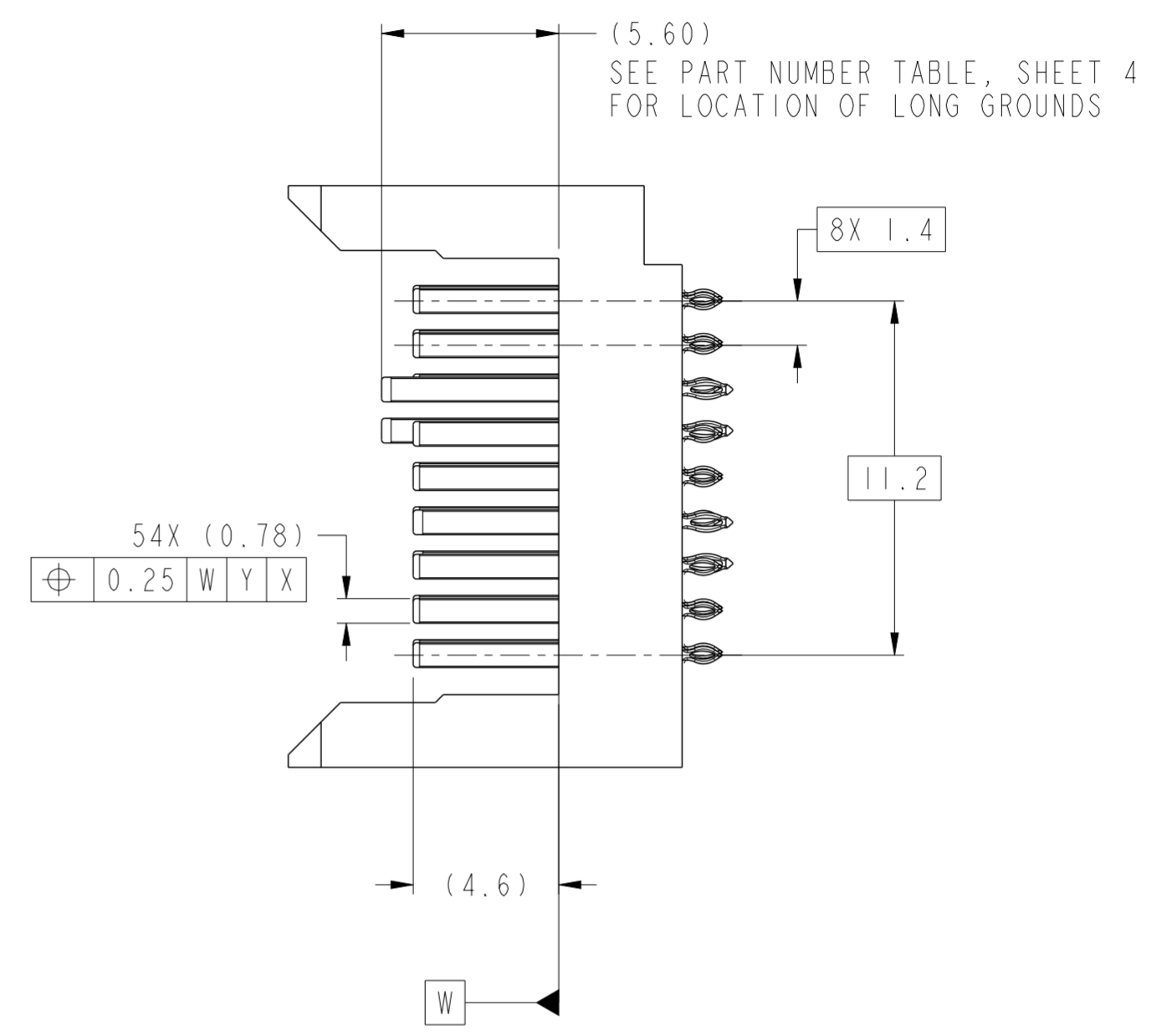
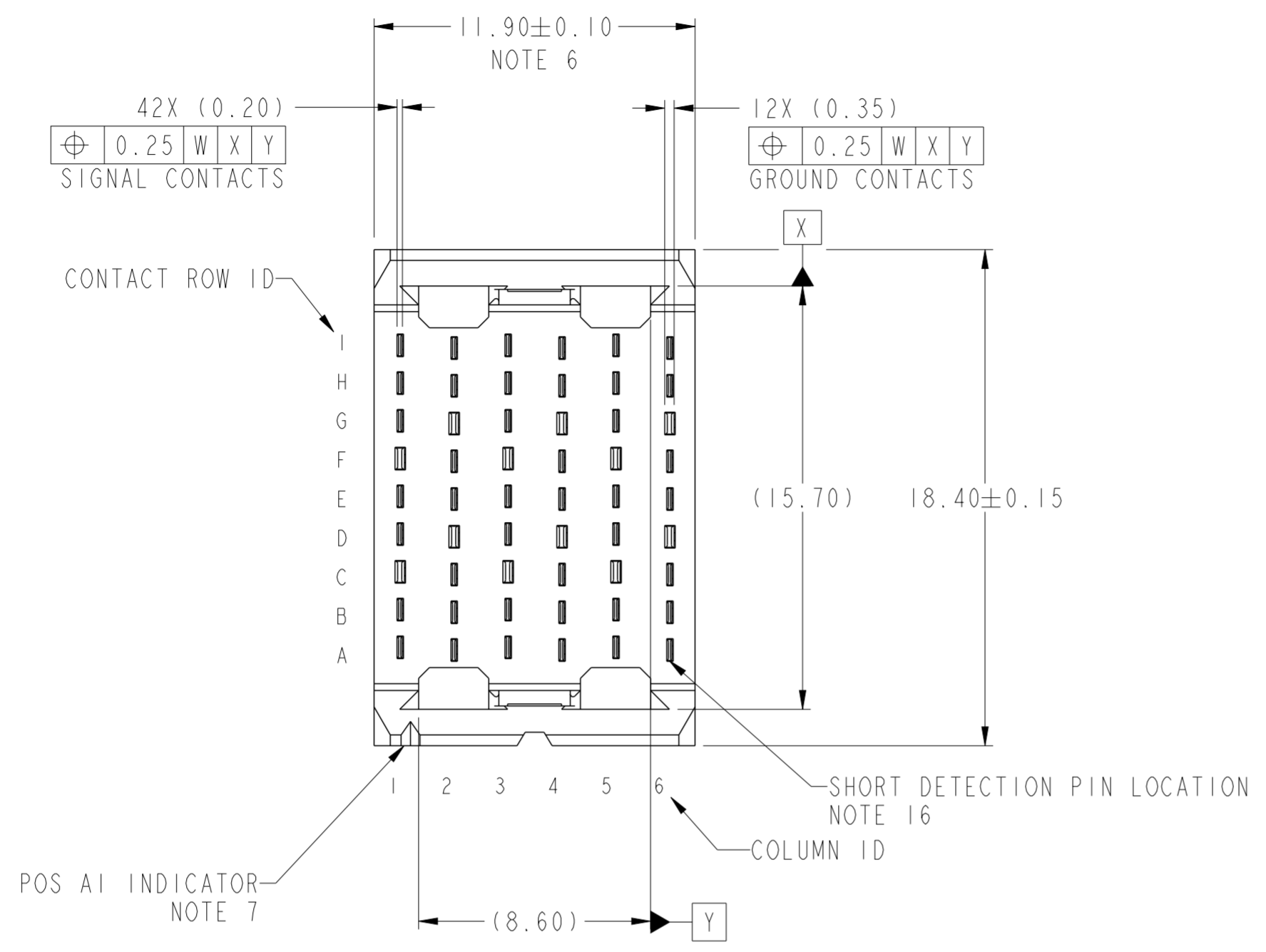


Product number
SEE TABLE, SHT 4



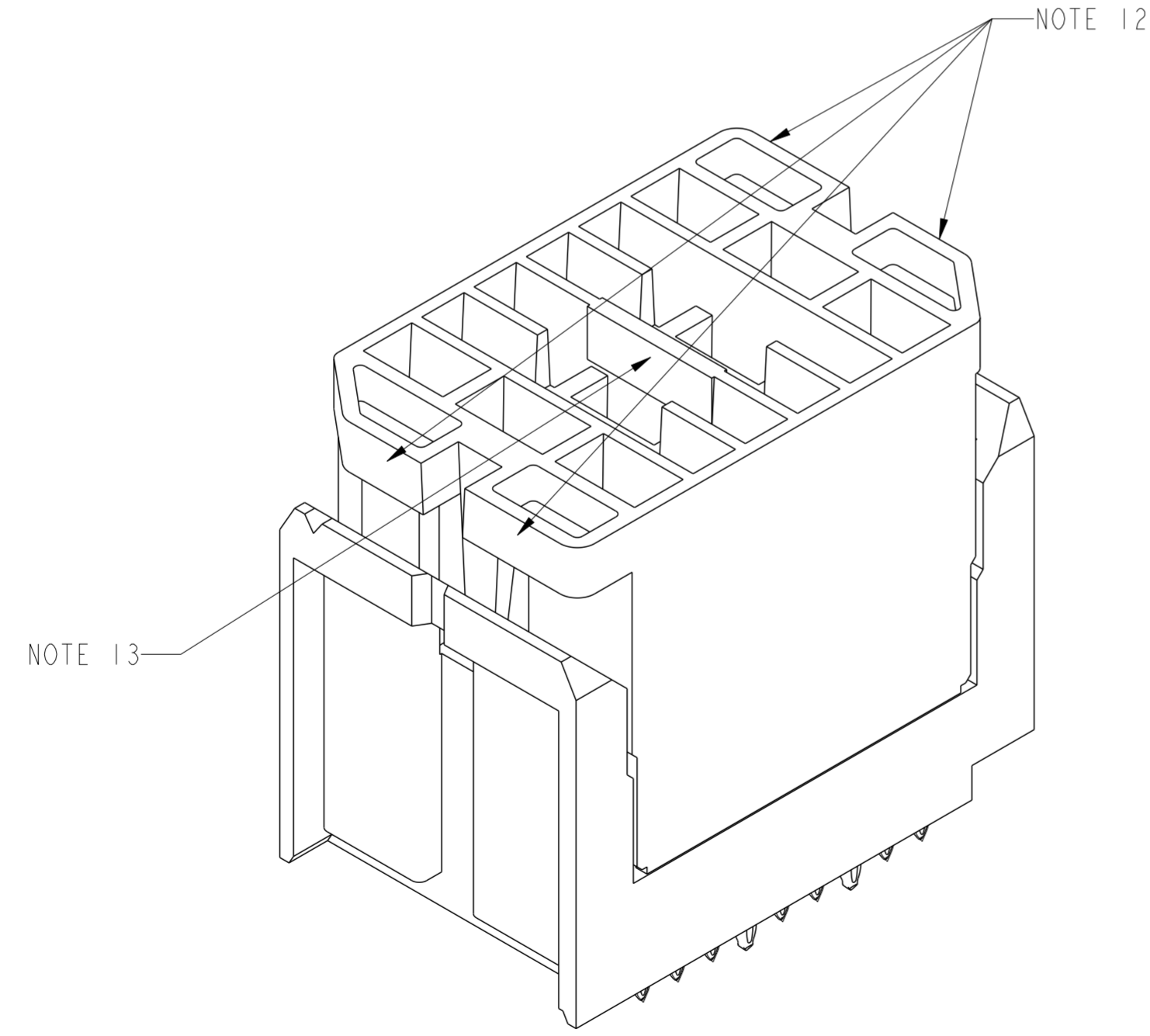
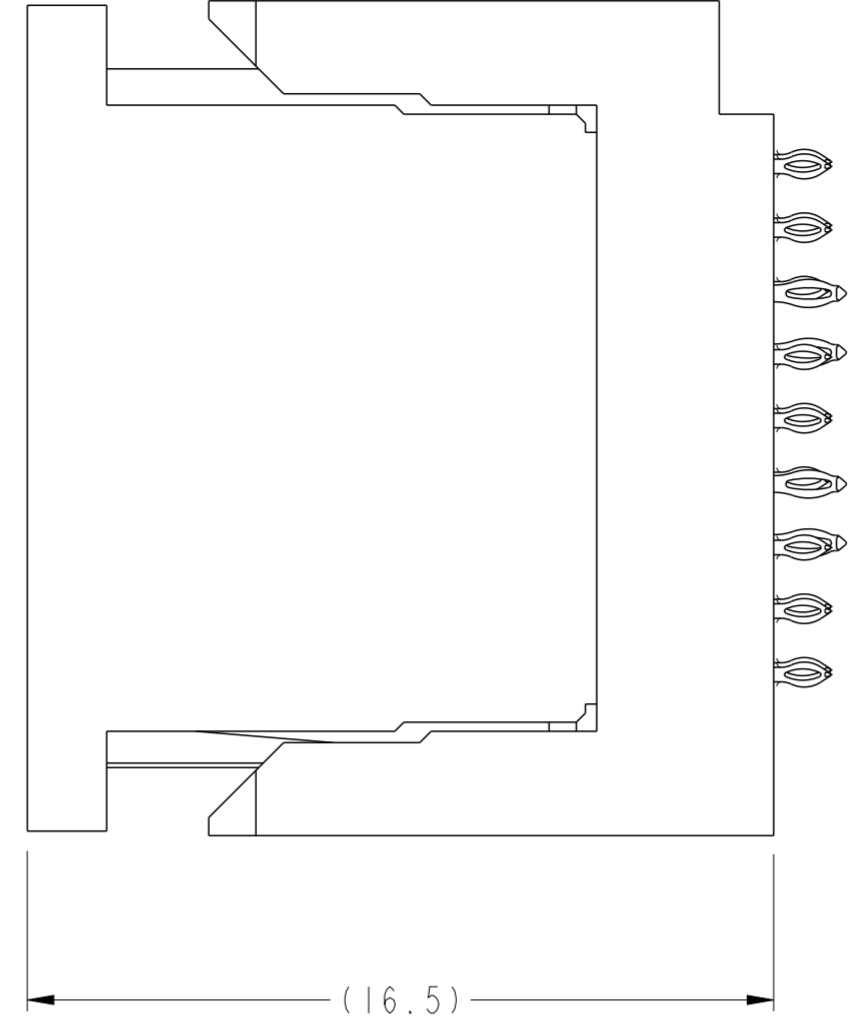
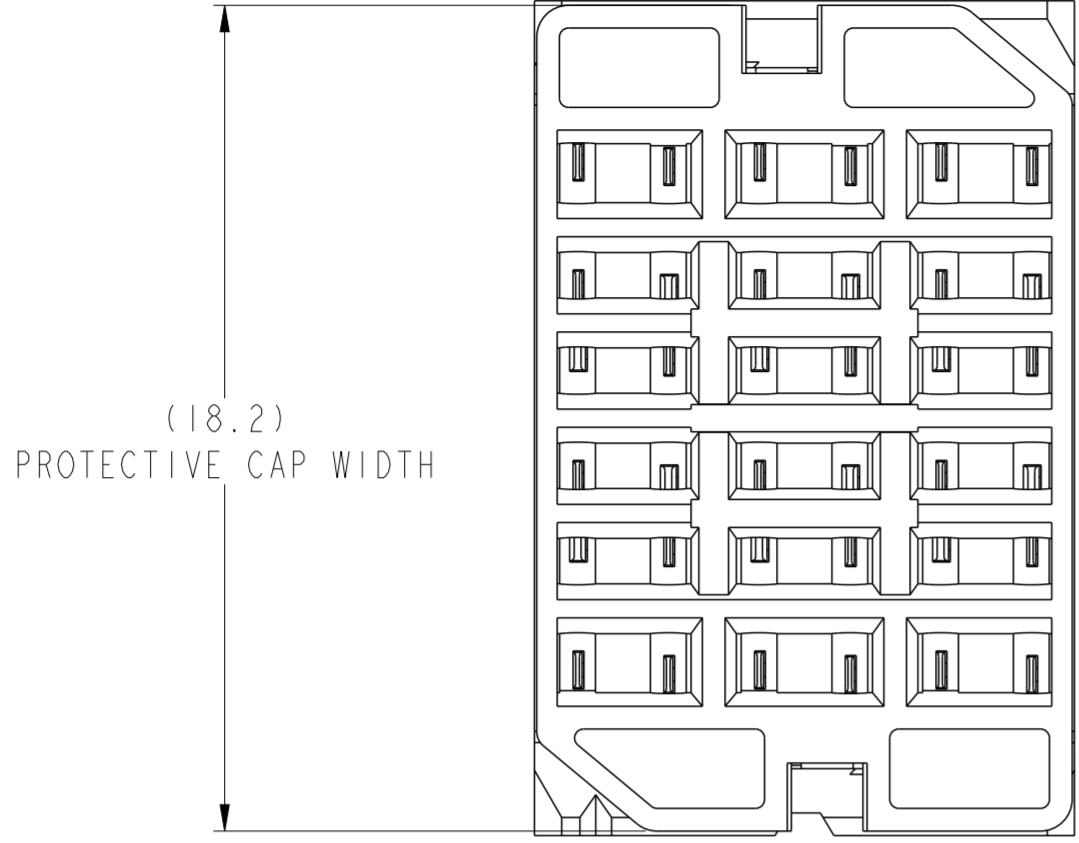
spec ref	-	dr	Robin Johnson	2010/12/03	projection	MM	size	A2	scale	5:1		
tolerance std	ASME Y14.5	eng	Kou Xu	2014/06/05	chr	Zhi-Guo Qiao	2014/06/23	ecn no	ELX-DG-17847-1	rel level	Released	
surface	✓	appr	Collins Lu	2014/06/23	product family	AIRMAX VS	title	AIRMAX VSe VERTICAL HEADER	div no	10116601	rev	D
ASME Y14.5	angular	0°	±2°	www.fci.com	cat. no.	-	Product - Customer Drw	sheet 1 of 4				

PDS: Rev :D

STATUS:Released

Printed: Jun 24, 2014

Copyright FCI.



VIEWS SHOWN WITH PROTECTIVE COVER INSTALLED

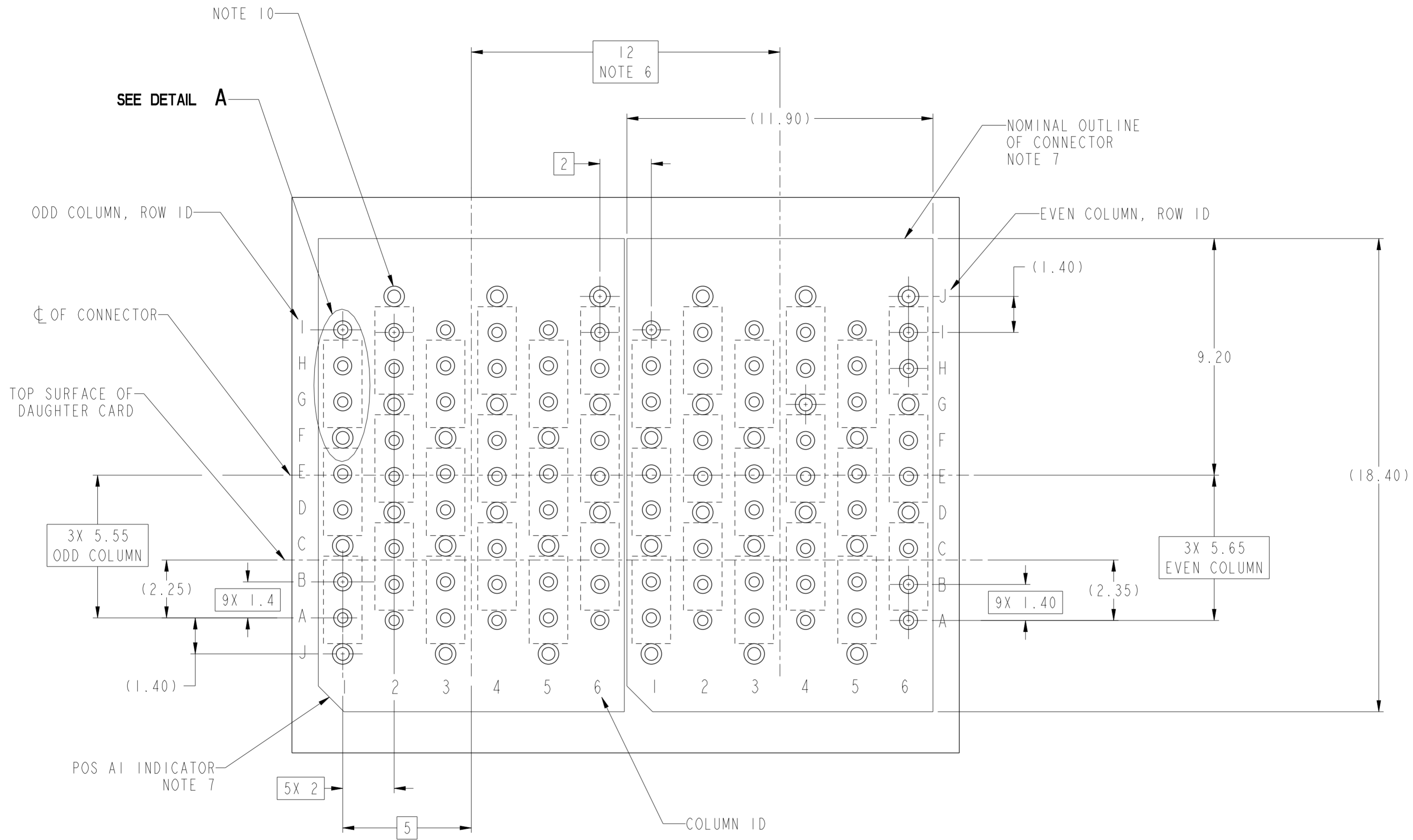
Copyright FCI. FCI

spec ref	-	dr	Robin Johnson	2010/1203	projection	MM	size	A2	scale	5:1	
tolerance std	ASME Y14.5	eng	Kou Xu	2014/06/05			ecn no	ELX-DG-17847-1			
TOLERANCES UNLESS OTHERWISE SPECIFIED		chr	Zhi-Guo Qiao	2014/06/23			rel level	Released			
		appr	Collins Lu	2014/06/23			product family	AIRMAX VS			
surface	✓	linear	0.X	±0.3		AIRMAX VSe VERTICAL HEADER SMALL PRESS-FIT, 54 POS, 12 mm	divg no	10116601			
			0.XX	±0.10			rev	D			
			0.XXX	±0.050			cat. no.	Product - Customer Drw sheet 2 of 4			
ASME Y14.5	angular	0°	±2°	www.fci.com							

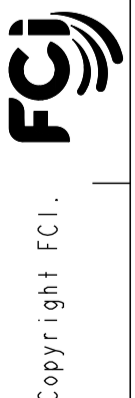
PDS: Rev :D

STATUS:Released

Printed: Jun 24, 2014

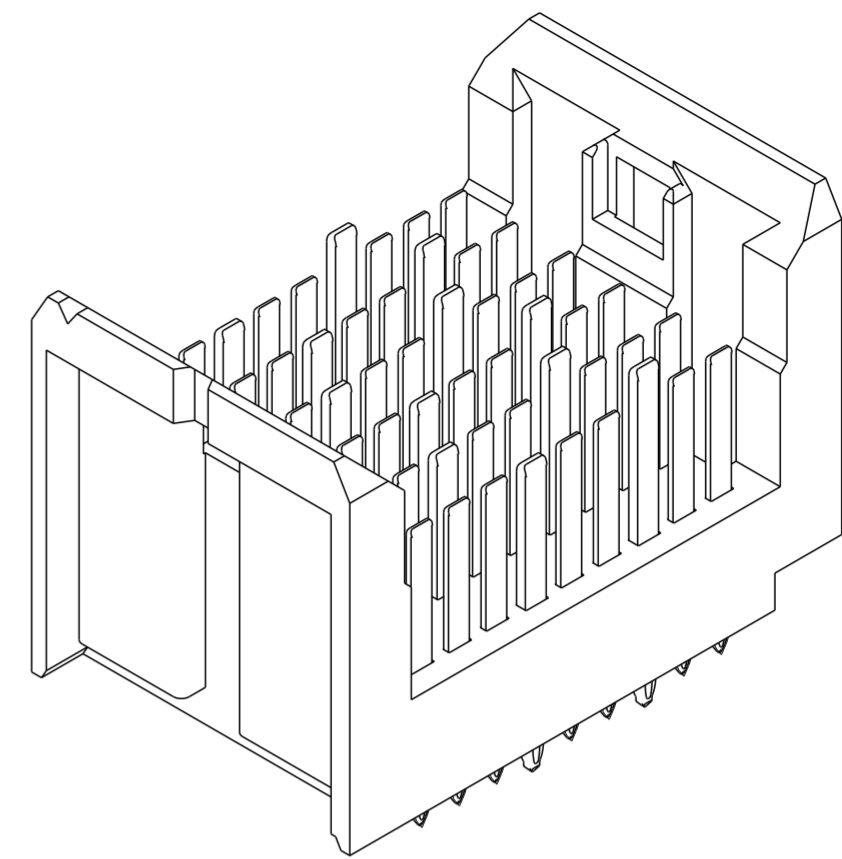


RECOMMENDED PCB LAYOUT
FOR DIFFERENTIAL APPLICATIONS,
COMPONENT SIDE
(TWO ADJACENT FOOTPRINTS SHOWN)
NOTES 6, AND 8



spec ref	-	dr	Robin Johnson	2010/12/03	projection	MM	size	A2	scale	3:1	
tolerance std	ASME Y14.5	eng	Kou Xu	2014/06/05			ecn no	ELX-DG-17847-1			
TOLERANCES UNLESS OTHERWISE SPECIFIED		chr	Zhi-Guo Qiao	2014/06/23			rel level	Released			
surface	✓	appr	Collins Lu	2014/06/23			product family	AIRMAX VS			
ASME Y14.5	linear	0.X	±0.3		TITLE AIRMAX VSe VERTICAL HEADER SMALL PRESS-FIT, 54 POS, 12 mm	DIVG NO 10116601	rev D	Product - Customer Drw			
	angular	0°	±2°					sheet 3 of 4			
www.fci.com			cat. no.								

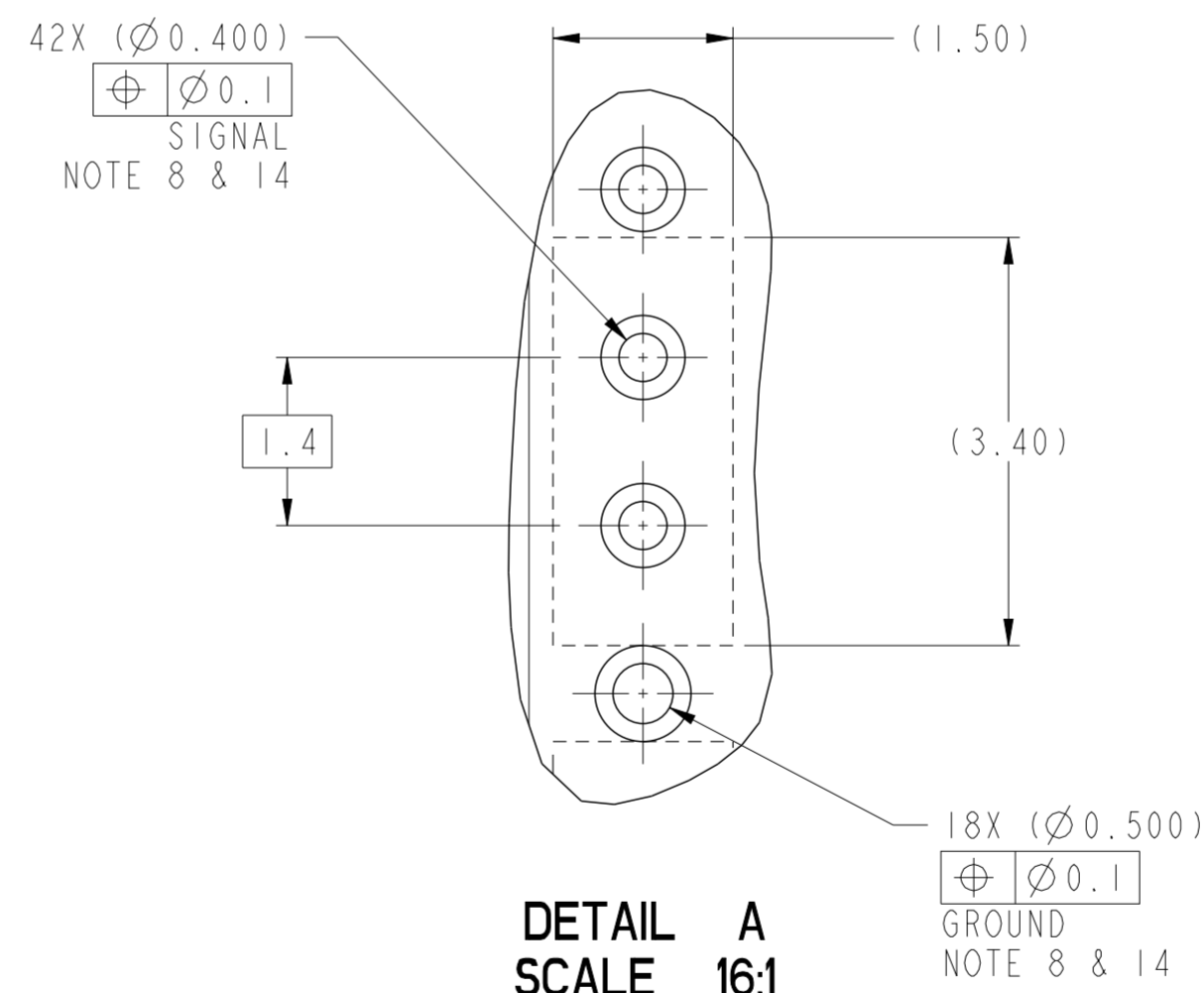
PART NUMBER	PRESS-FIT TAIL PLATING TYPE	PROTECTIVE COVER	LONG GROUND PIN LOCATIONS (5.6MM)	REMARKS
10116601-101LF	TIN OVER NICKEL (LEAD FREE)	YES	F1, F3, F5, G2, G4, G6	WITHOUT DETECTION PIN
10116601-111LF	TIN OVER NICKEL (LEAD FREE)	YES	F1, F3, F5, G2, G4, G6	WITH SHORT DETECTION PIN LOCATS AT A6



10116601-101LF

NOTES:

- CONNECTOR MATERIALS:
HOUSING: HIGH TEMP THERMOPLASTIC, BLACK, UL94V-0
CONTACT: COPPER ALLOY
- CONTACT PLATING:
SEPARABLE INTERFACE: PERFORMANCE-BASED PLATING, QUALIFIED TO MEET THE REQUIREMENTS OF FCI PRODUCT SPECIFICATION GS-12-XXX INCLUDING TELCORDIA GR-1217-CORE (NOVEMBER 1995) CENTRAL OFFICE TEST SEQUENCE
PRESS-FIT TAILS: SEE TABLE
- PRODUCT SPECIFICATION: GS-12-XXX.
- APPLICATION SPECIFICATION: GS-20-XXX.
- PRODUCT MARKING, (PROTOTYPE, PART NUMBER & LOT CODE), ON THIS SURFACE.
- THE MINIMUM CENTERLINE SPACING BETWEEN ADJACENT MODULES IS 12.0 mm.
- CONNECTOR OUTLINE WITH HOUSING POS AI INDICATOR MAY BE SCREEN PRINTED ONTO CUSTOMER PCB TO BE USED AS A GUIDE FOR MANUAL CONNECTOR PLACEMENT.
- REFER TO CUSTOMER DRAWING 10104444 FOR INFORMATION ON PCB HOLE DIAMETERS AND PLATING OPTIONS.
- LEAD FREE PRODUCT MEETS EUROPEAN UNION DIRECTIVES AND OTHER COUNTRY REGULATIONS AS DESCRIBED IN GS-22-008.
- THE OUTER VIAS IN COLUMN J ARE OPTIONAL. IF ADDED THESE HOLES PROVIDE GROUND SYMETRY THROUGH THE PCB. NO CONNECTOR EONS WILL BE PRESSED INTO THESE HOLES.
- PACKAGING MEETS GS-14-920 LEAD FREE LABELING SPECIFICATION.
- FOR REMOVAL OF THE PROTECTIVE CAP BY HAND, GRIP USING THESE SURFACES.
- FOR REMOVAL OF THE PROTECTIVE CAP WITH PLIERS, GRIP USING THIS FEATURE.
- GROUND VIAS IN POSITIONS C, F, & J FOR ODD COLUMNS AND POSITIONS D, G, & J FOR EVEN COLUMNS REQUIRE (Ø0.50) FINISHED HOLES. ALL OTHER VIAS REQUIRE (Ø0.40) FINISHED HOLES.
- A SYMBOL WILL BE NEXT TO ANY DIMENSION, VIEW, OR NOTE THAT HAS BEEN MODIFIED WITH THE CURRENT DRAWING REVISION.
- SHORT DETECTION PIN LOCATES AT A6 IS 0.5mm LESS WIPE NOMINAL THAN THE SHORTEST PIN.



spec ref	-	dr	Robin Johnson	2010/12/03	projection	MM	size	A2	scale	5:1		
tolerance std	ASME Y14.5	eng	Kou Xu	2014/06/05			ecn no	ELX-DG-17847-1				
TOLERANCES UNLESS OTHERWISE SPECIFIED		chr	Zhi-Guo Qiao	2014/06/23			rel level	Released				
surface	✓	appr	Collins Lu	2014/06/23			product family	AIRMAX VS				
ASME Y14.5	linear	0.X	±0.3		AIRMAX VSe VERTICAL HEADER SMALL PRESS-FIT, 54 POS, 12 mm	cat. no. -	Product - Customer Drw	div no	10116601		rev	D
	0.XX	±0.10	sheet 4 of 4									
	0.XXX	±0.050										
	angular	0°	±2°	www.fci.com								

Mouser Electronics

Authorized Distributor

Click to View Pricing, Inventory, Delivery & Lifecycle Information:

[FCI / Amphenol:](#)

[10116601-111LF](#)