

THIS DRAWING IS UNPUBLISHED.

RELEASED FOR PUBLICATION

-. -. .

© COPYRIGHT - By -

ALL RIGHTS RESERVED.

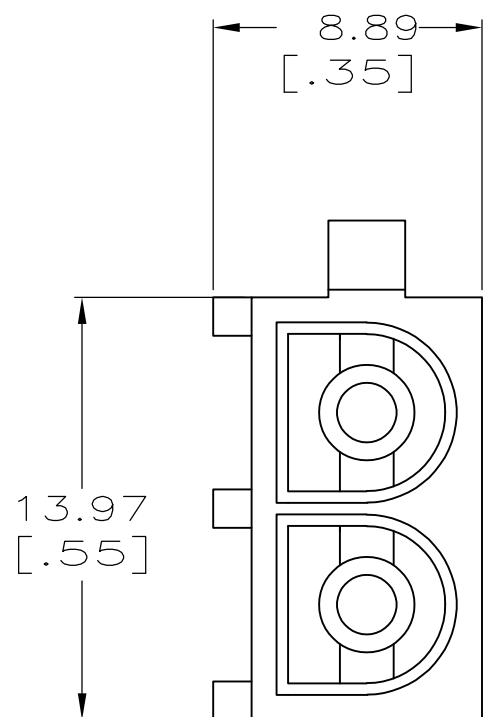
LOC FT DIST 0

REVISIONS

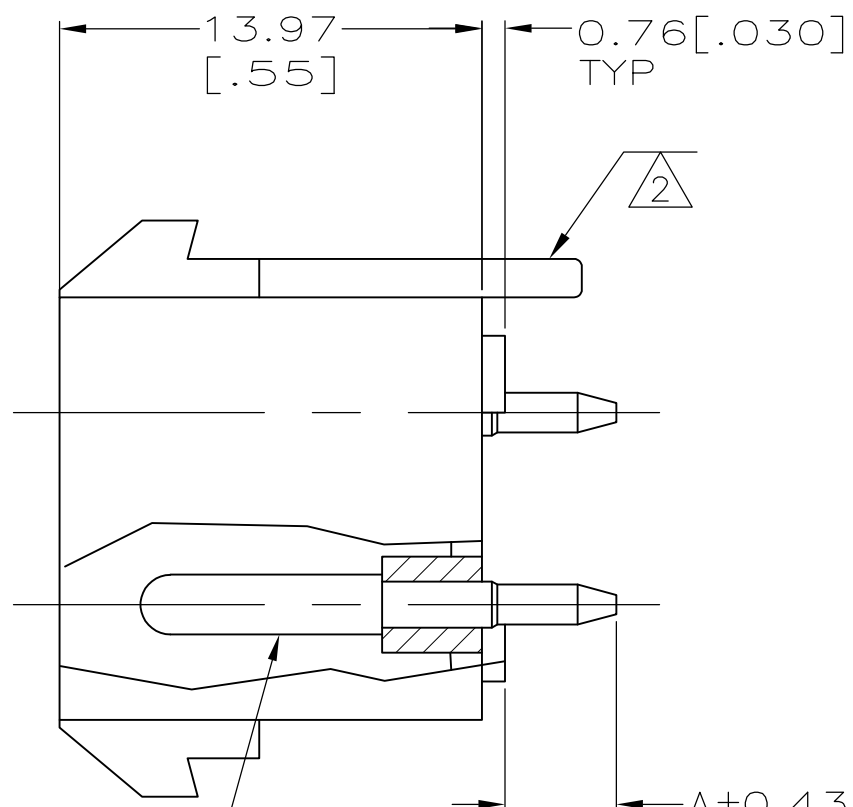
P	LTR	DESCRIPTION	DATE	DWN	APVD
	H3	REVISED PER ECO-11-004917	11MAR11	RK	HMR

1 PRELIMINARY PART NUMBER.

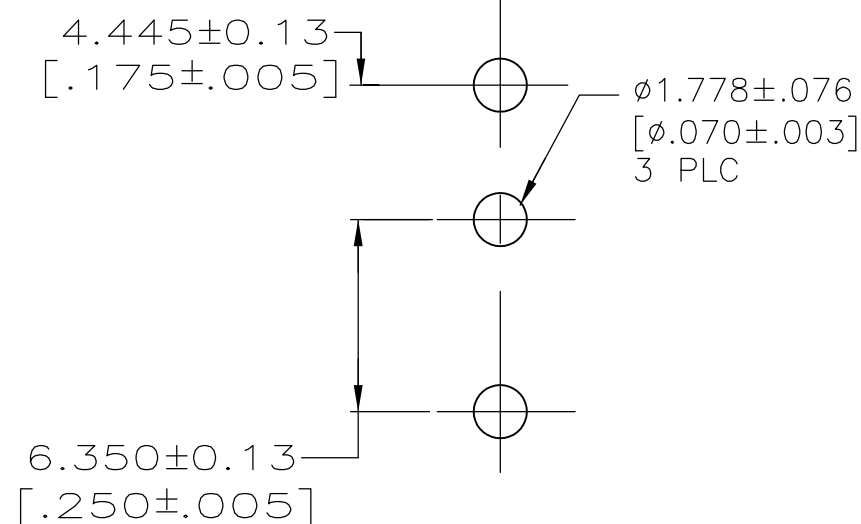
2 NO LOCATION TAB.



HOUSING MATERIAL: NYLON 94V-0



CONTACT MATERIAL: COPPER ALLOY
 FINISH: 5 um [200uIN] MIN SILVER
 OVER 1um [40uIN] MIN NICKEL (-1 & -2).
 30 uIN MIN GOLD OVER 50 uIN MIN NICKEL. (-3).



RECOMMENDED LAYOUT FOR 1.57 [.062] THICK P.C. BOARD

2	3.68 [.145]	194009-4
1	3.68 [.145]	194009-3
1	7.62 [.300]	194009-2
	3.68 [.145]	194009-1
	DIM A	PART NUMBER

THIS DRAWING IS A CONTROLLED DOCUMENT.		DWN R.N. POLK 03NOV94	STE TE Connectivity				
DIMENSIONS: mm		CHK G.STEINHAUER 03NOV94					
TOLERANCES UNLESS OTHERWISE SPECIFIED:		APVD G.STEINHAUER 03NOV94	NAME HIGH CURRENT VERT. PIN HEADER ASSY, MATE-N-LOK 11, 2 CIRCUIT				
<ul style="list-style-type: none"> 0 PLC ± - 1 PLC ± - 2 PLC ± 0.25[.01] 3 PLC ± - 4 PLC ± - ANGLES ± - 		PRODUCT SPEC -	APPLICATION SPEC -				
MATERIAL -		FINISH -	WEIGHT -	SIZE A3	CAGE CODE 00779	DRAWING NO C-194009	RESTRICTED TO -
CUSTOMER DRAWING			SCALE 4:1	SHEET 1 OF 1	REV H3		

Mouser Electronics

Authorized Distributor

Click to View Pricing, Inventory, Delivery & Lifecycle Information:

[TE Connectivity:](#)

[194009-3](#)