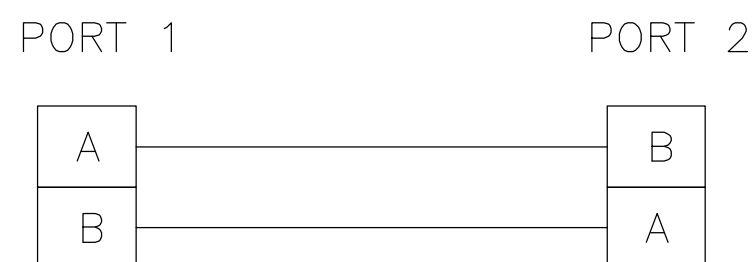
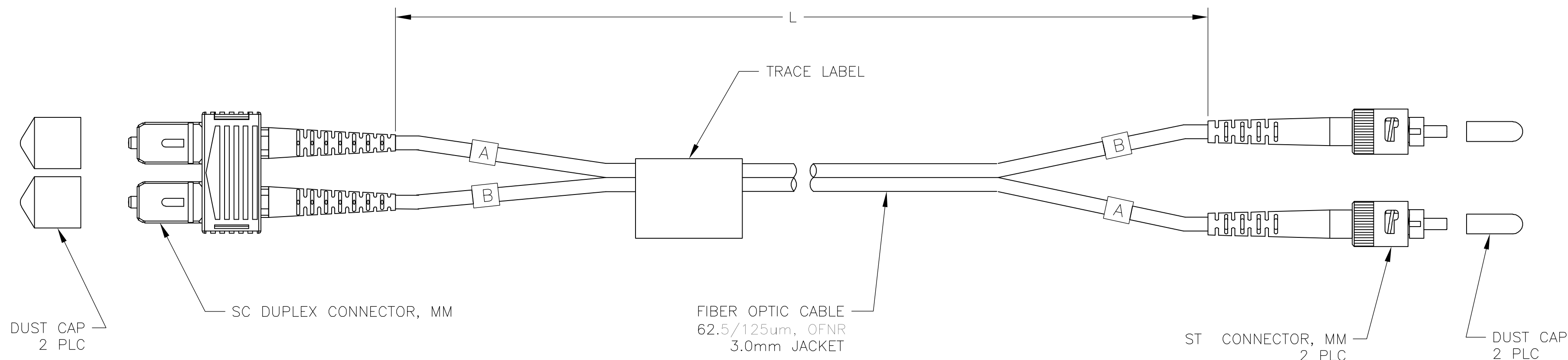


THIS DRAWING IS UNPUBLISHED. RELEASED FOR PUBLICATION
 © COPYRIGHT BY TYCO ELECTRONICS CORPORATION. ALL RIGHTS RESERVED.

LOC	DIST	REVISIONS					
CE	16	P	LTR	DESCRIPTION	DATE	DWN	APVD
		C		REVISED PER ECR-05-015300	10NOV05	KH	JD

1. INSERTION LOSS: SC <= 0.5dB
ST <= 0.5dB.
2. PRODUCT AND PROCESSING MUST MEET REQUIREMENTS OF TYCO ELECTRONICS STANDARD 230-702.



14.85-15.15 [584.65-596.46]	1-1754805-5
9.85-10.15 [387.80-399.61]	1-1754805-0
4.85-5.15 [190.94-202.76]	1754805-5
2.85-3.15 [112.20-124.02]	1754805-3
1.85-2.15 [72.83-84.65]	1754805-2
0.85-1.15 [33.46-45.28]	1754805-1
L METERS [INCHES]	PART NUMBER

THIS DRAWING IS A CONTROLLED DOCUMENT.		DWN J.W.DAVIS 28OCT04	Tyco Electronics Corporation Harrisburg, Pa 17105-3608	
DIMENSIONS: METERS [INCHES]		CHK J.DUNCAN 28OCT04	NAME F.McCORKEL 28OCT04	
TOLERANCES UNLESS OTHERWISE SPECIFIED:		PRODUCT SPEC		
0 PLC ± -		APPLICATION SPEC		
1 PLC ± -		WEIGHT		
2 PLC ± -		SIZE A2		
3 PLC ± -		CAGE CODE 00779		
4 PLC ± -		DRAWING NO 1754805		
ANGLES ± -		RESTRICTED TO		
FINISH		CUSTOMER DRAWING		
MATERIAL		SCALE NTS SHEET 1 OF 1 REV C		

Mouser Electronics

Authorized Distributor

Click to View Pricing, Inventory, Delivery & Lifecycle Information:

[TE Connectivity:](#)

[1-1754805-0](#)