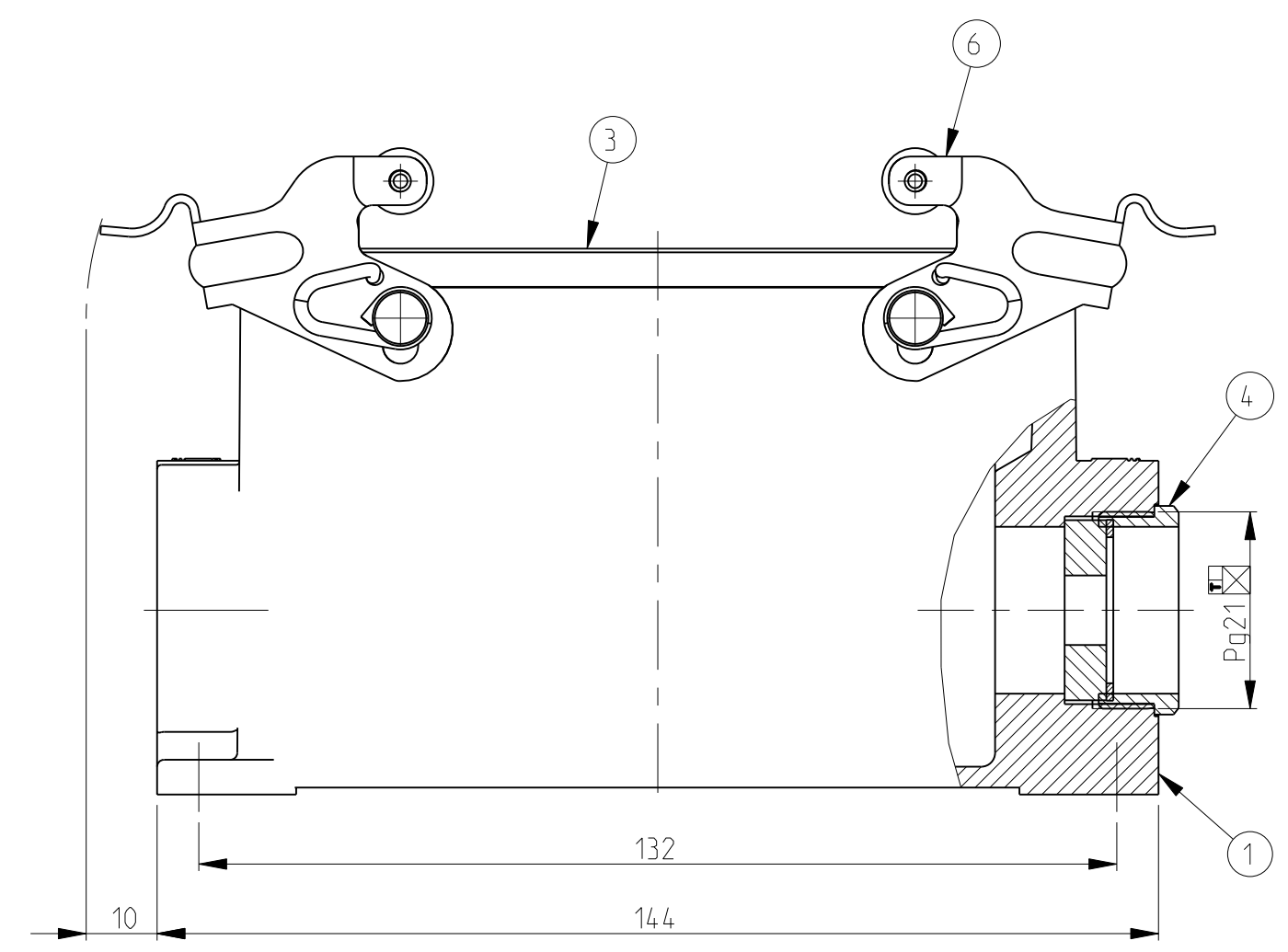
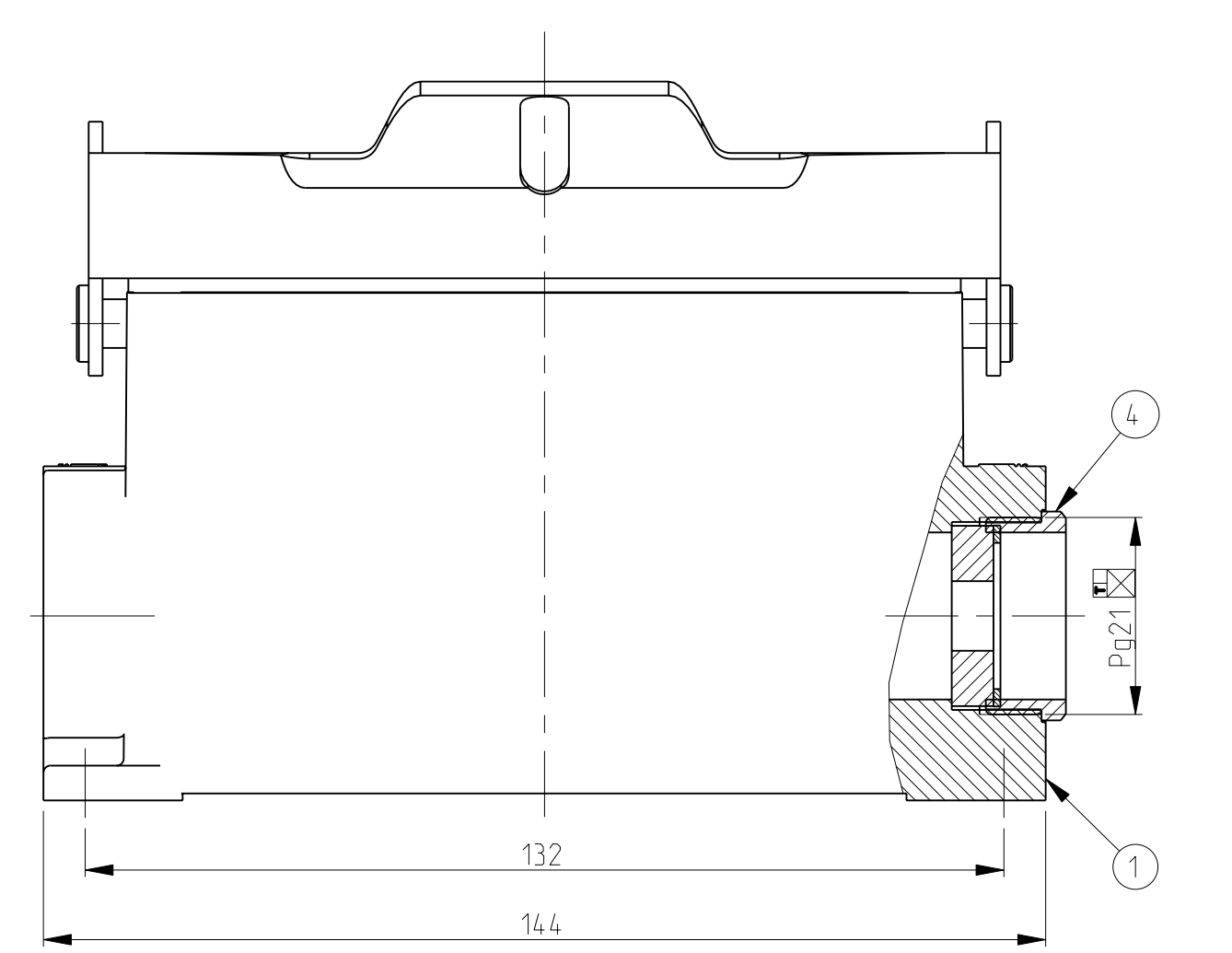
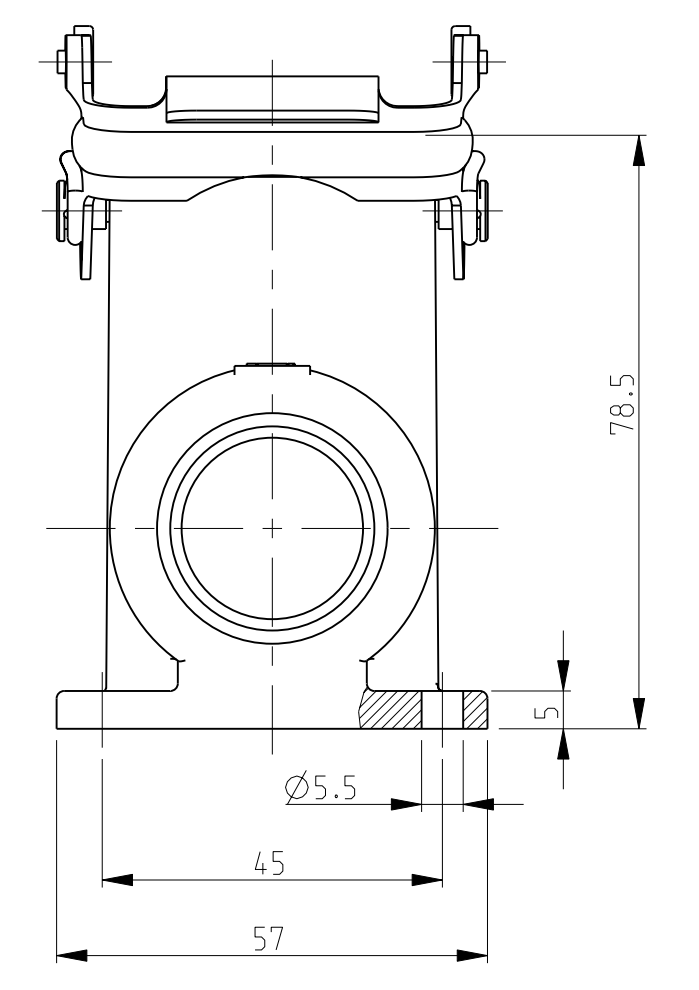


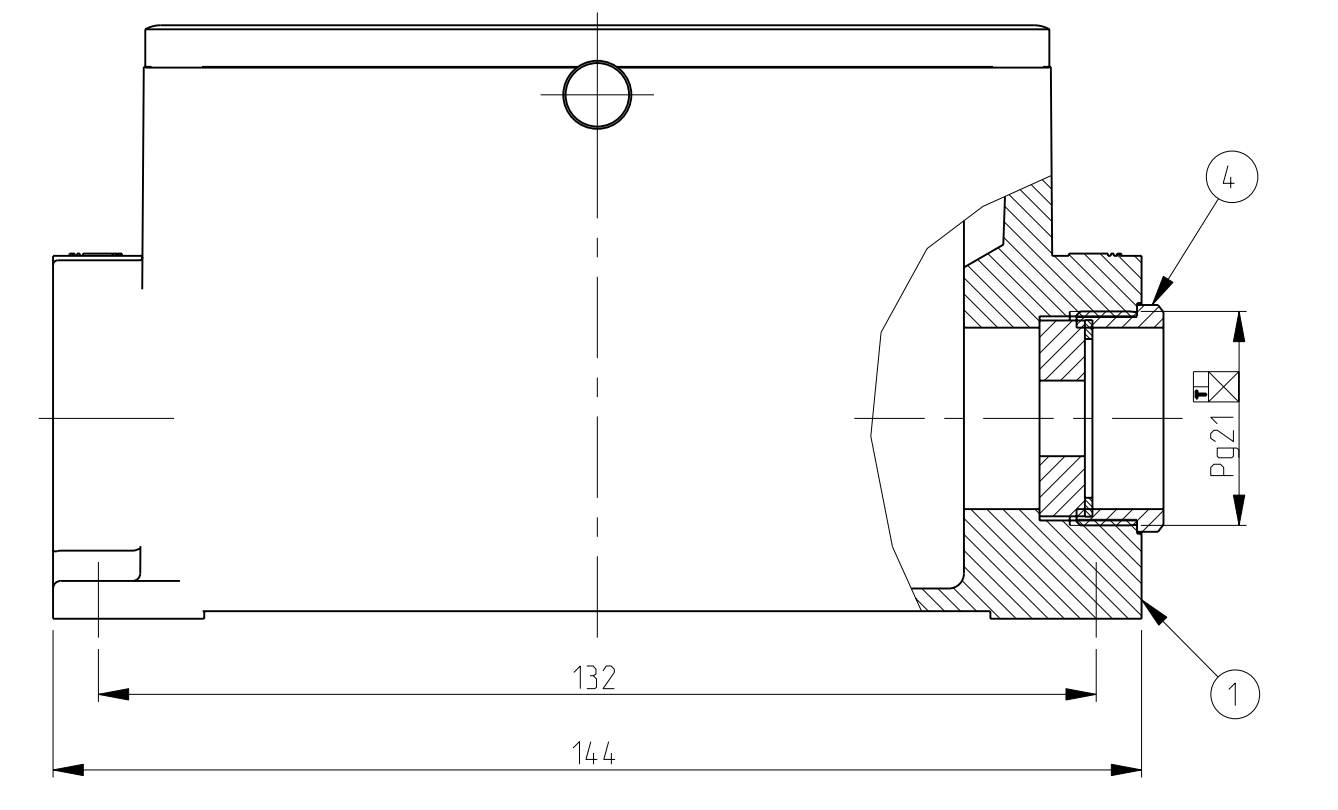
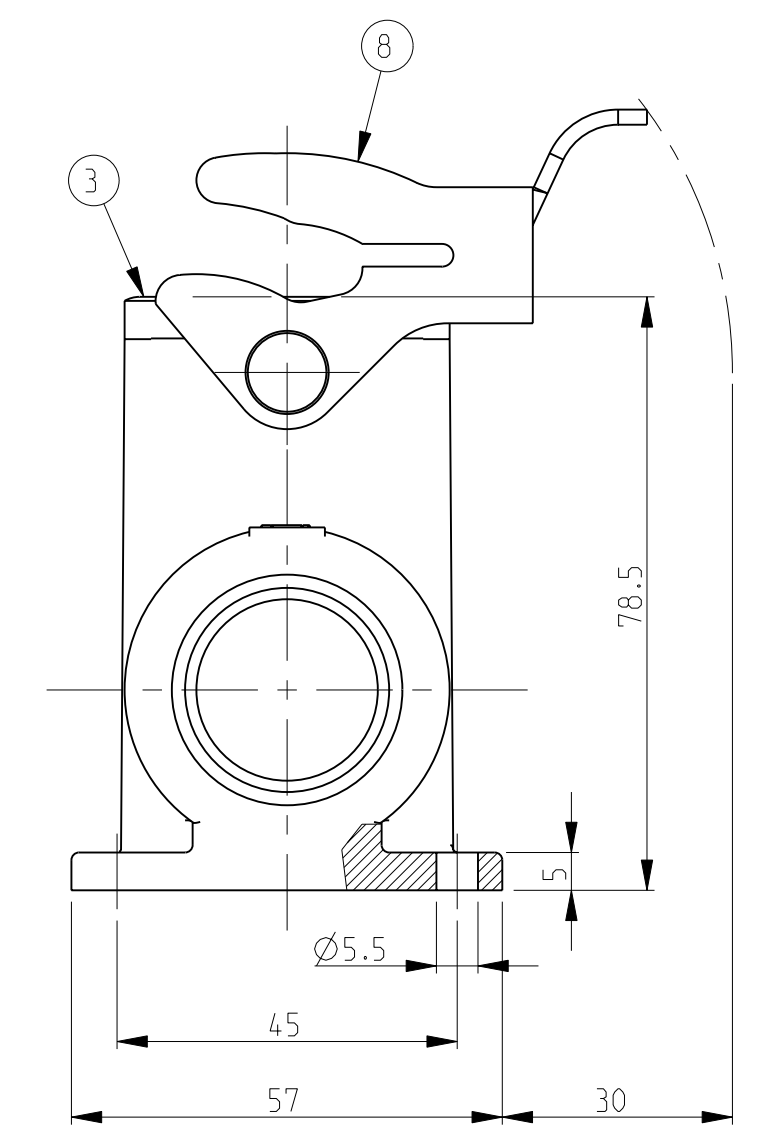
LOC	DIST	REVISIONS			
P	LTB	DESCRIPTION	DATE	DWN	APVD
A4		Released as per ECR-08-017219	09.July.2008	SP	TS
A5		REVISED PER ECO-09-027197	17DEC 2009	KK	AEG



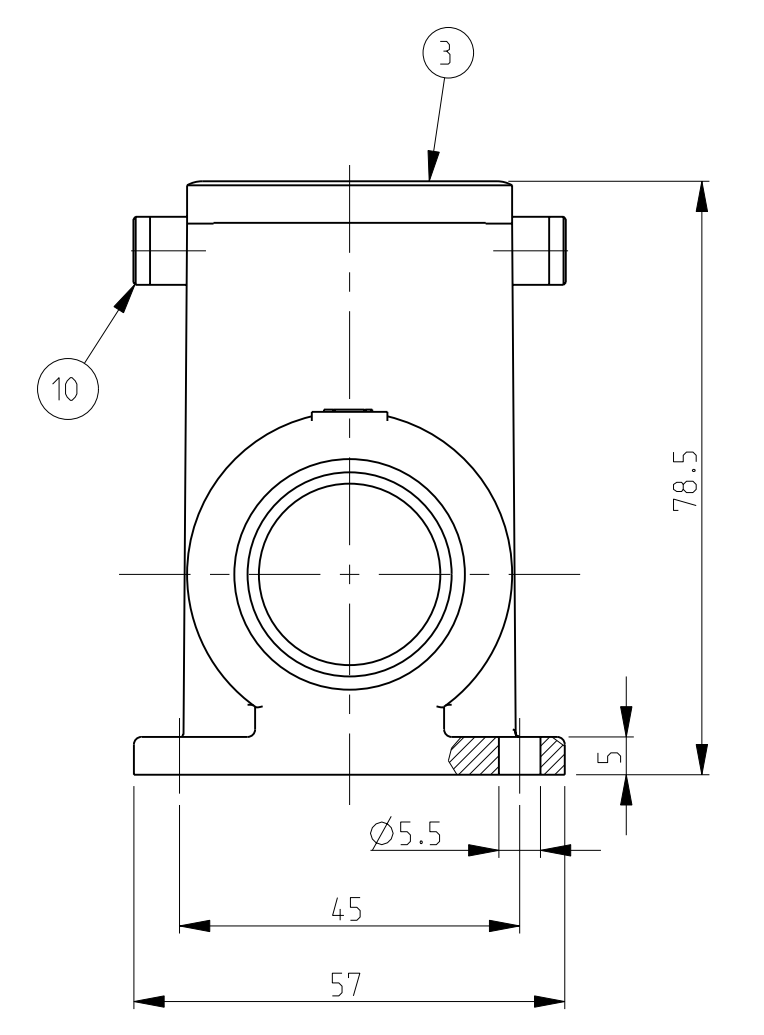
PN 1-1



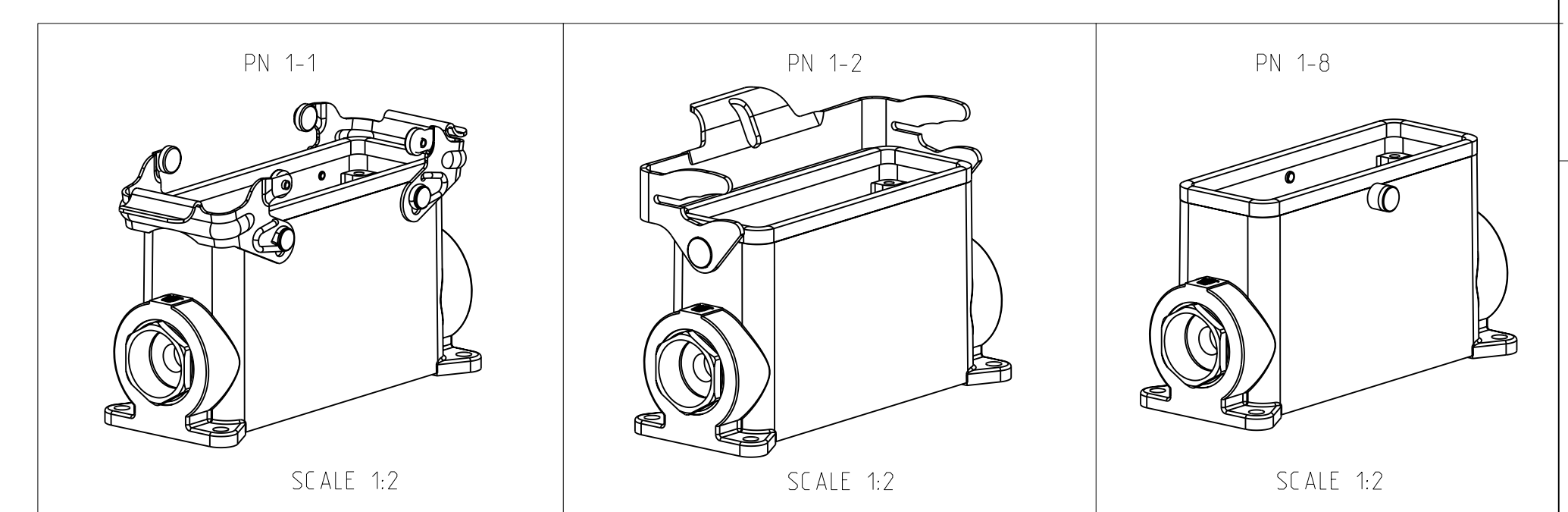
PN 1-2



PN 1-8



NOTES.
 1 Material:Housing:Aluminium Diecasting Alloy
 2 Surface:Varnish grey
 3 Varnish on the inside not necessary
 4 Packaging
 Quantity 5 Pieces in a box
 OBSOLETE PARTS: OBSOLETE C IS STREAMLINING PER D.RENAUD/D.SINISI



QTY	DESCRIPTION	MATERIAL	SURFACE	COLOR	ITEM NO	REMARKS
2	ZB-Clip bolt	Stainless steel			11	
2	ZB-Clip bolt	Steel	Zinc plated	Blue	10	
	LB-Side clip	Stainless steel			9	
1	LB-Side clip	Steel	Zinc plated	Blue	8	
2	VS-Locking clip	Stainless steel			7	
2	VS-Locking clip	Steel	Zinc plated	Blue	6	
1	Gland fitting Pg21	Brass	Nickel plated		5	
1	Cable connection round Pg21	Brass	Nickel plated		4	
1	Profile seal	Neoprene		Black	3	
1	Surface mounted housing side entry HD.64.Pg1.1.21	Aluminium	Aluminium oxide	Black	2	
1	Surface mounted housing side entry HD.64.Pg1.1.21	Aluminium		Grey	1	

ORDERING TEXT
 HD.64.SG-VS.1.21
 HD.K.64.SG-VS.1.21
 HD.64.SG-LB.1.21
 HD.K.64.SG-LB.1.21
 HD.Z.64.SG-ZVGR.1.21
 HD.K.Z.64.SG-ZVGR.1.21

DIMENSIONS:	TOLERANCES UNLESS OTHERWISE SPECIFIED:	DWN	17.07.1997	Tyco Electronics Corporation 0-53819,Neunkirchen,Germany
mm	0 PLC ±0.15 1 PLC ±0.2 2 PLC ±0.3 3 PLC ±0.4 4 PLC ±0.5 ANGLES ±0.5	CHK	26.06.98	
MATERIAL	FINISH	APVD		NAME
				PRODUCT SPEC
				APPLICATION SPEC
				SIZE
				CAGE CODE
				DRAWING NO
				RESTRICTED TO
				SCALE
				SHEET
				OF
				REV
				A5

CUSTOMER DRAWING

Mouser Electronics

Authorized Distributor

Click to View Pricing, Inventory, Delivery & Lifecycle Information:

[TE Connectivity:](#)

[1-1103345-2](#)