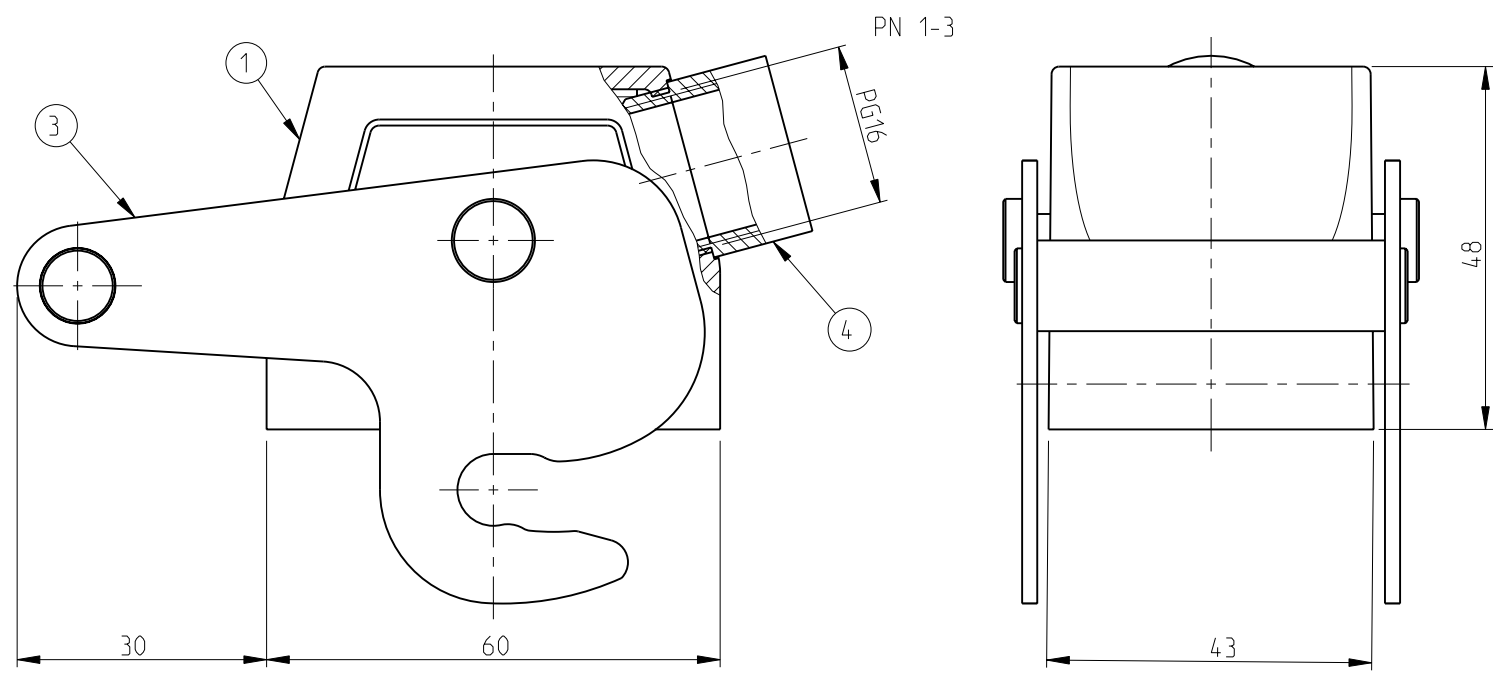


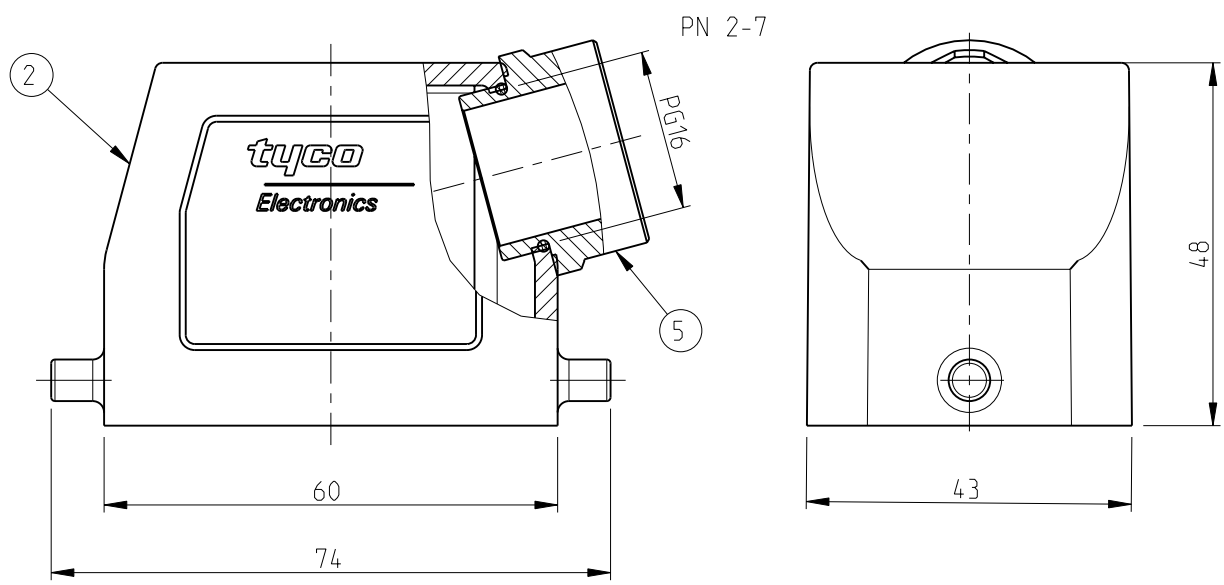
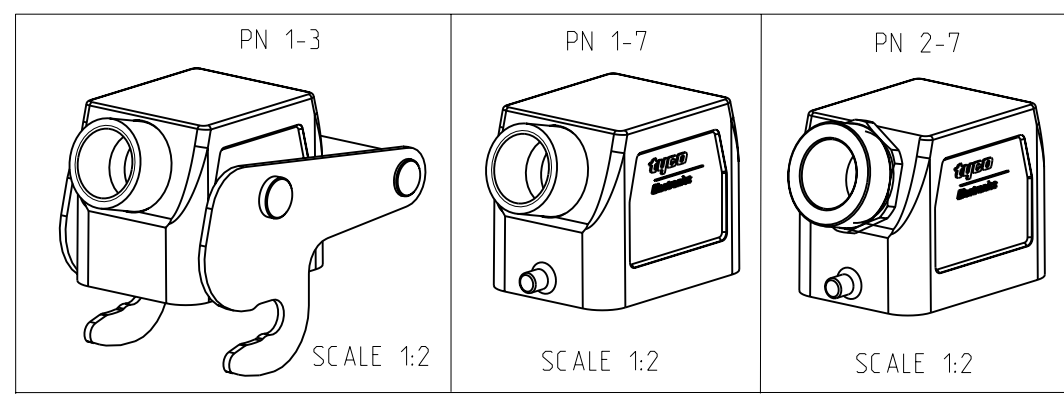
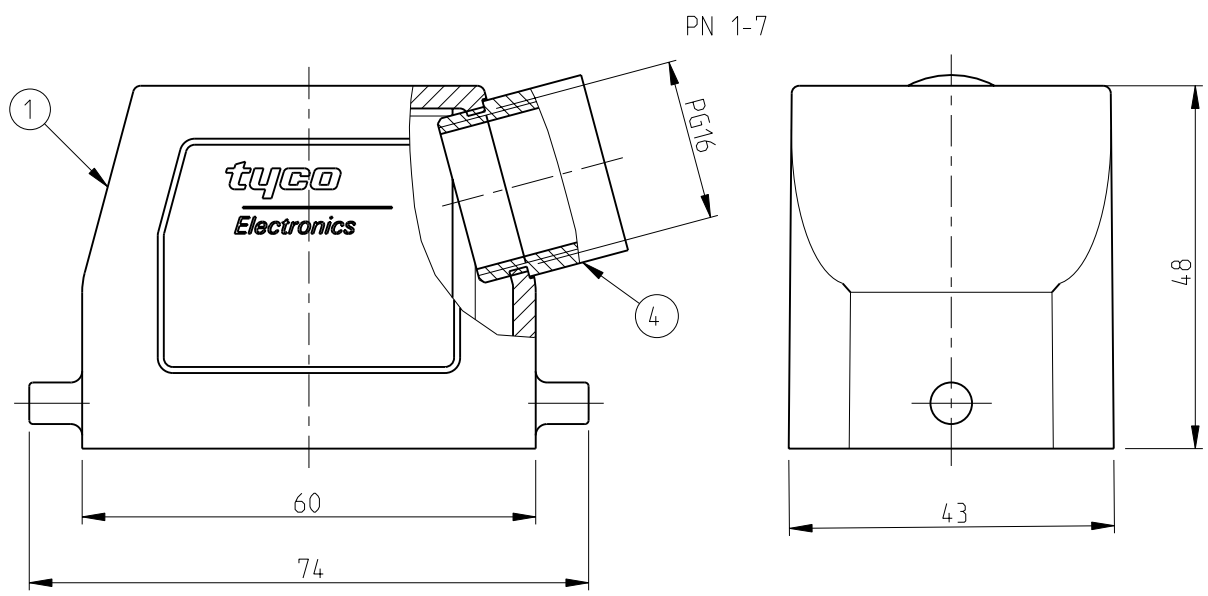
THIS DRAWING IS UNPUBLISHED. RELEASED FOR PUBLICATION 1997

© COPYRIGHT 1997 BY TYCO ELECTRONICS CORPORATION. ALL RIGHTS RESERVED.

LOC	DIST	REVISIONS				
P	LTR	DESCRIPTION	DATE	DWN	APVD	
A1						
	A3	Released as per ECR-08-005944	06.Mar.2008	SP	TS	



- Notes
- 1 Material: Housing: Aluminium diecasting alloy
 - 2 Surface:- Powder varnish-grey
-Aluminium oxide+varnish black
 - 3 Varnish on the inside not necessary
 - 4 Packaging
Packaging quantity: 5 pieces in a box



-	1	-	Adapter 6-Kant	Brass	Nickel plated	Blue	5	Pg16
1	-	1	Adapter	Brass	Nickel plated	Blue	4	Pg16
1	-	-	ZB-Side clip	Steel	Zinc plated	Blue	3	-
-	1	-	Hood HB-K	Aluminium	Aluminium oxide	Black	2	-
1	-	1	Hood HB	Aluminium		Grey	1	-
1-3	2-7	1-7	DESCRIPTION	MATERIAL	SURFACE	COLOR	ITEM NO	NOTES
ORDERING TEXT								
HB.6.STS.1.16.Z								
HB.6.STS.1.16.Z								
HB-Z.6.STS-ZB.1.16.Z								

THIS DRAWING IS A CONTROLLED DOCUMENT FOR TYCO ELECTRONICS CORPORATION IT IS SUBJECT TO CHANGE AND THE CONTROLLING ENGINEERING ORGANIZATION SHOULD BE CONTACTED FOR THE LATEST REVISION.

DIMENSIONS:		TOLERANCES UNLESS OTHERWISE SPECIFIED:	
mm		n-ISO 8015	
		n-ISO 2768-mS-E	
		n-DIN 16901-120	
	±	0 PLC	±
	±	1 PLC	±
	±	2 PLC	±
	±	3 PLC	±
	±	4 PLC	±
	±	ANGLES	±
MATERIAL	FINISH		

DWN	28.11.2002		Tyco Electronics,AMP,GmbH	
CHK	28.11.2002		D-53819,Neunkirchen,Germany	
APVD	Schweiger	NAME		
PRODUCT SPEC		Hood		
108-74001/74003		HB.6.STS.1.16.Z		
APPLICATION SPEC		RESTRICTED TO		
114-74001/74004/74005		SIZE	CAGE CODE	DRAWING NO
WEIGHT		A3	00779	©= 1102239
CUSTOMER DRAWING		SCALE	SHEET	REV
		1:1	1 OF 1	A3