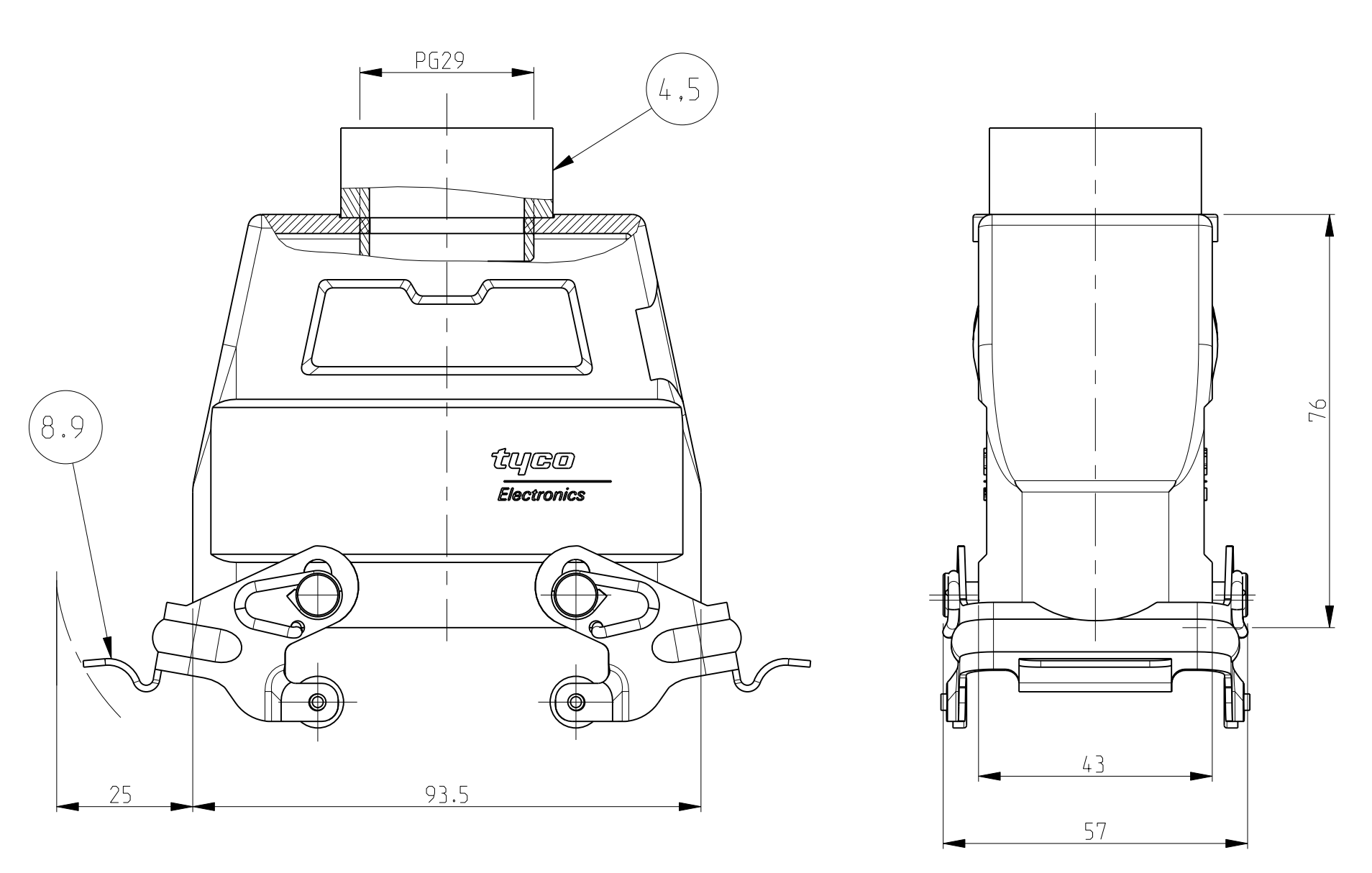
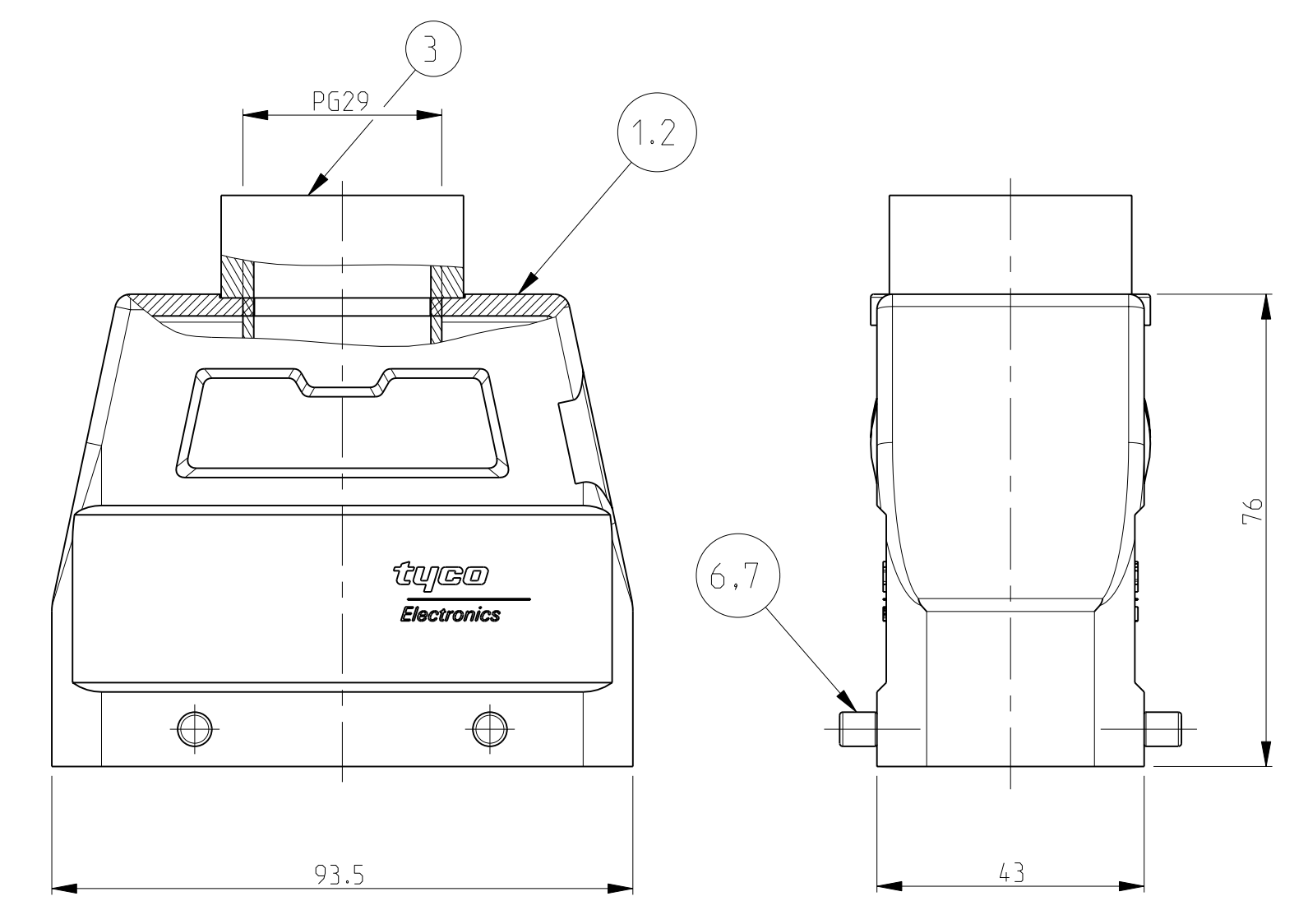


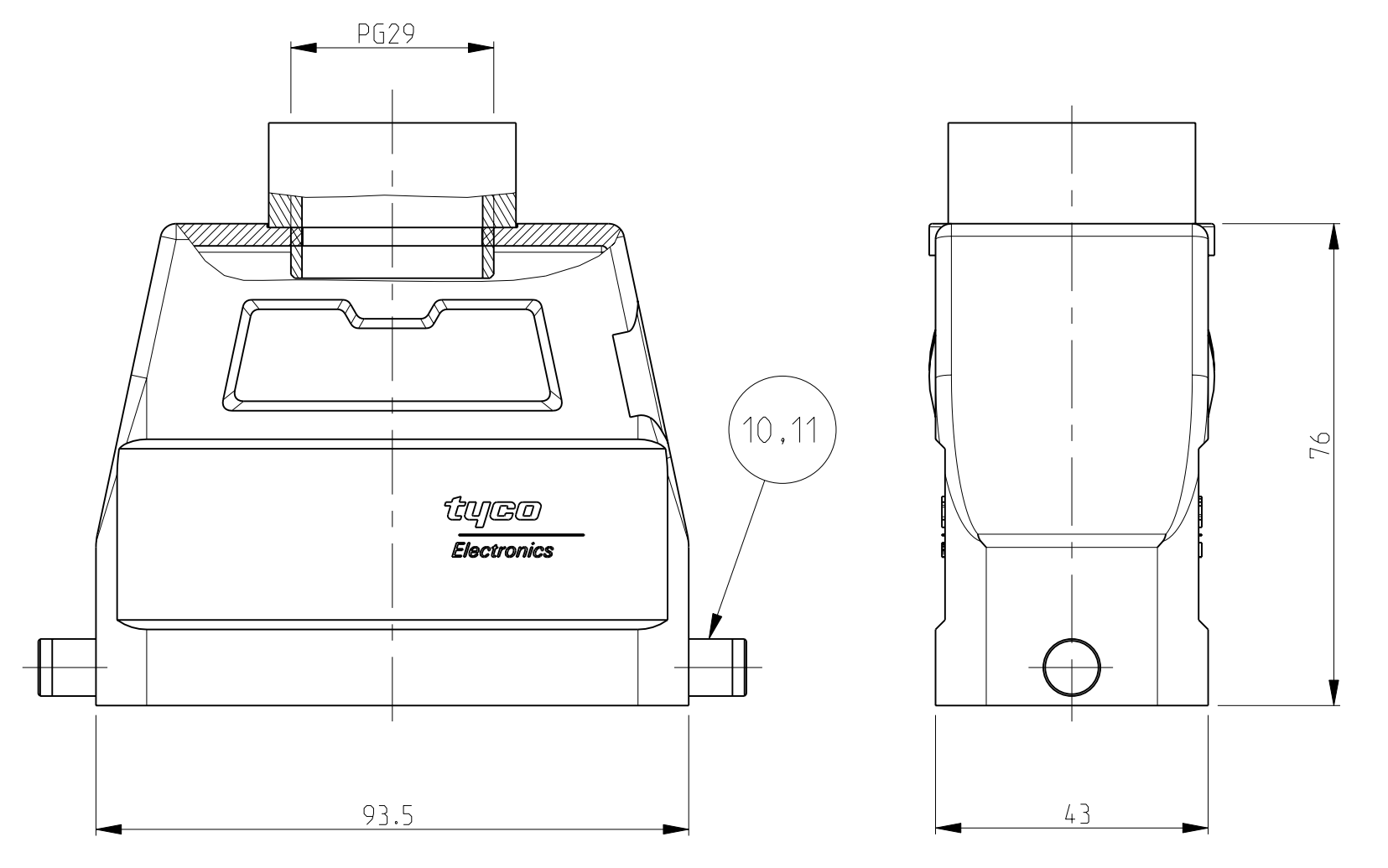
PN 1-1



PN 1-6 & 7-6



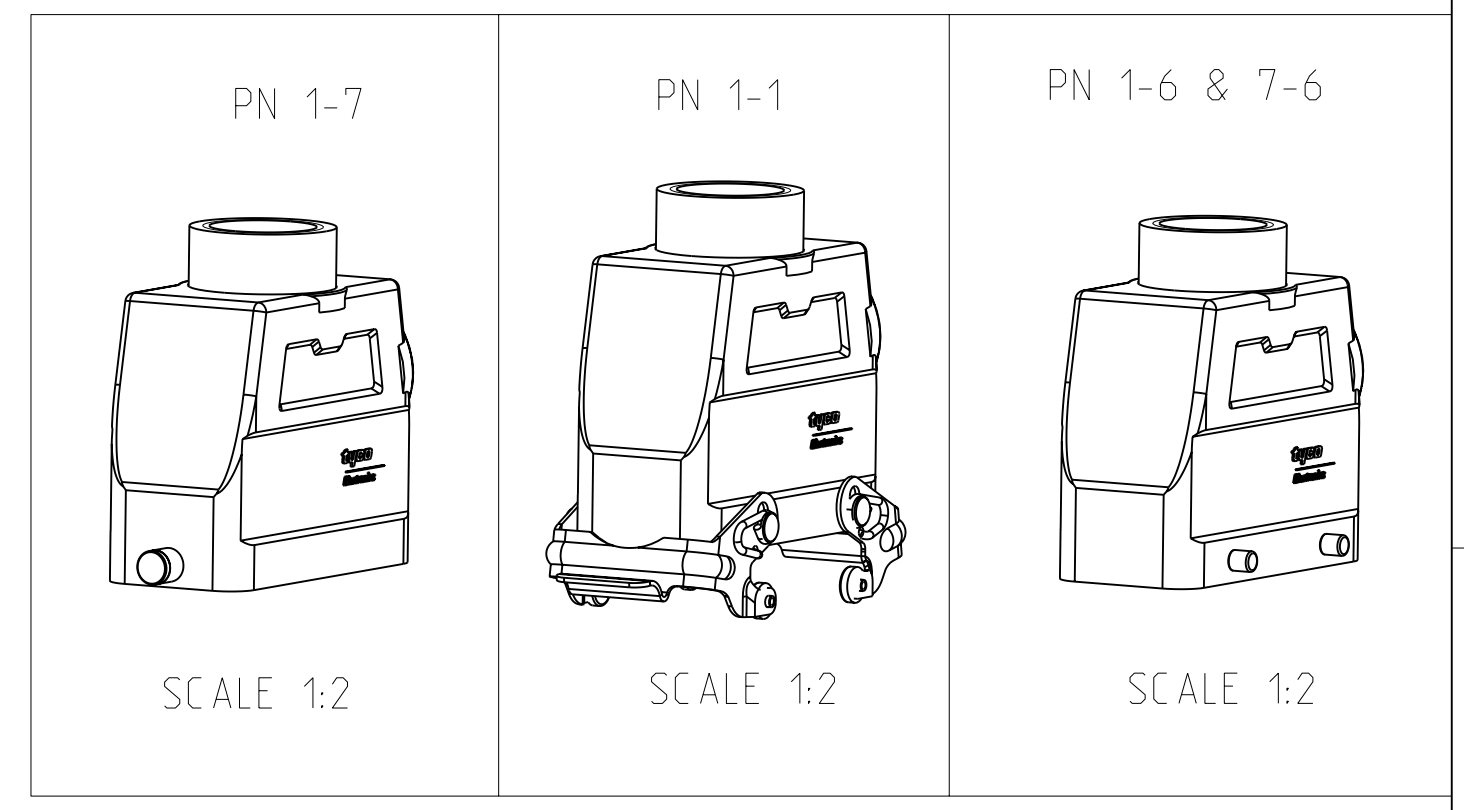
PN 1-7



LOC	DIST	REVISIONS					
A	I	P	LTB	DESCRIPTION	DATE	DWN	APVD
		B5		Released as per ECR-07-012890	05-07-07	SK	TS

NOTES

- 1 Material: Housing: aluminium diecasting alloy
- 2 Surface:- Powder varnish :grey
 :Black
- 3 Varnish on the inside not necessary
- 4 Packaging quantity: 5 pieces



QTY	DESCRIPTION	MATERIAL	SURFACE	COLOR	ITEM NO	NOTES
2	LB-clip bolt	Stainless steel	-	-	11	-
2	LB-clip bolt	Steel	Zinc plated	Blue	10	-
2	VS-side clip	Stainless steel	-	-	9	-
2	VS-side clip	Steel	Zinc plated	Blue	8	-
4	VS-clip bolt	Stainless steel	-	-	7	-
4	VS-clip bolt	Steel	Zinc plated	Blue	6	-
1	O Ring Pg29	Neoprene	-	Black	5	-
1	Adapter 6kt Pg29	Brass	Nickel plated	-	4	-
1	Adapter Pg29	Brass	Nickel plated	-	3	-
1	Hood HD.40.Pg.1.29	Aluminium	-	Black	2	-
1	Hood HD.40.Pg.1.29	Aluminium	-	Grey	1	-

ORDERING TEXT

- HD.40.Sto 1.29.Z
- HD.40.Sto 1.29.Z.So
- HD K40.Sto 1.29.Z
- HD .40.Sto-VS.1.29.Z
- HD K40.Sto VS.1.29.Z
- HD .40.Sto-GR.1.29.Z
- HD K40.Sto GR.1.29.Z

DIMENSIONS: mm 		TOLERANCES UNLESS OTHERWISE SPECIFIED: 0.15 mm 1 PLC ± 2 PLC ± 3 PLC ± 4 PLC ± 5 PLC ± 6 PLC ± 7 PLC ± 8 PLC ± 9 PLC ± 10 PLC ± 11 PLC ± 12 PLC ± 13 PLC ± 14 PLC ± 15 PLC ± 16 PLC ± 17 PLC ± 18 PLC ± 19 PLC ± 20 PLC ± 21 PLC ± 22 PLC ± 23 PLC ± 24 PLC ± 25 PLC ± 26 PLC ± 27 PLC ± 28 PLC ± 29 PLC ± 30 PLC ± 31 PLC ± 32 PLC ± 33 PLC ± 34 PLC ± 35 PLC ± 36 PLC ± 37 PLC ± 38 PLC ± 39 PLC ± 40 PLC ± 41 PLC ± 42 PLC ± 43 PLC ± 44 PLC ± 45 PLC ± 46 PLC ± 47 PLC ± 48 PLC ± 49 PLC ± 50 PLC ± 51 PLC ± 52 PLC ± 53 PLC ± 54 PLC ± 55 PLC ± 56 PLC ± 57 PLC ± 58 PLC ± 59 PLC ± 60 PLC ± 61 PLC ± 62 PLC ± 63 PLC ± 64 PLC ± 65 PLC ± 66 PLC ± 67 PLC ± 68 PLC ± 69 PLC ± 70 PLC ± 71 PLC ± 72 PLC ± 73 PLC ± 74 PLC ± 75 PLC ± 76 PLC ± 77 PLC ± 78 PLC ± 79 PLC ± 80 PLC ± 81 PLC ± 82 PLC ± 83 PLC ± 84 PLC ± 85 PLC ± 86 PLC ± 87 PLC ± 88 PLC ± 89 PLC ± 90 PLC ± 91 PLC ± 92 PLC ± 93 PLC ± 94 PLC ± 95 PLC ± 96 PLC ± 97 PLC ± 98 PLC ± 99 PLC ± 100 PLC ±		DWN: 12.11.1997 CBY: 23.06.98 CBY: Kramer APVD: - NAME: Tyco Electronics Tyco Electronics, AMP GmbH D-53819, Neunkirchen, Germany PRODUCT SPEC: HOOD HD.40 HD.40.STO.1.29.Z APPLICATION SPEC: - WEIGHT: - CUSTOMER DRAW ING: A 00779 C=1102572 SCALE: 1:1 SHEET: 1 OF 1 REV: B5	
--------------------	--	---	--	--	--

Mouser Electronics

Authorized Distributor

Click to View Pricing, Inventory, Delivery & Lifecycle Information:

[TE Connectivity:](#)

[1-1102572-1](#)