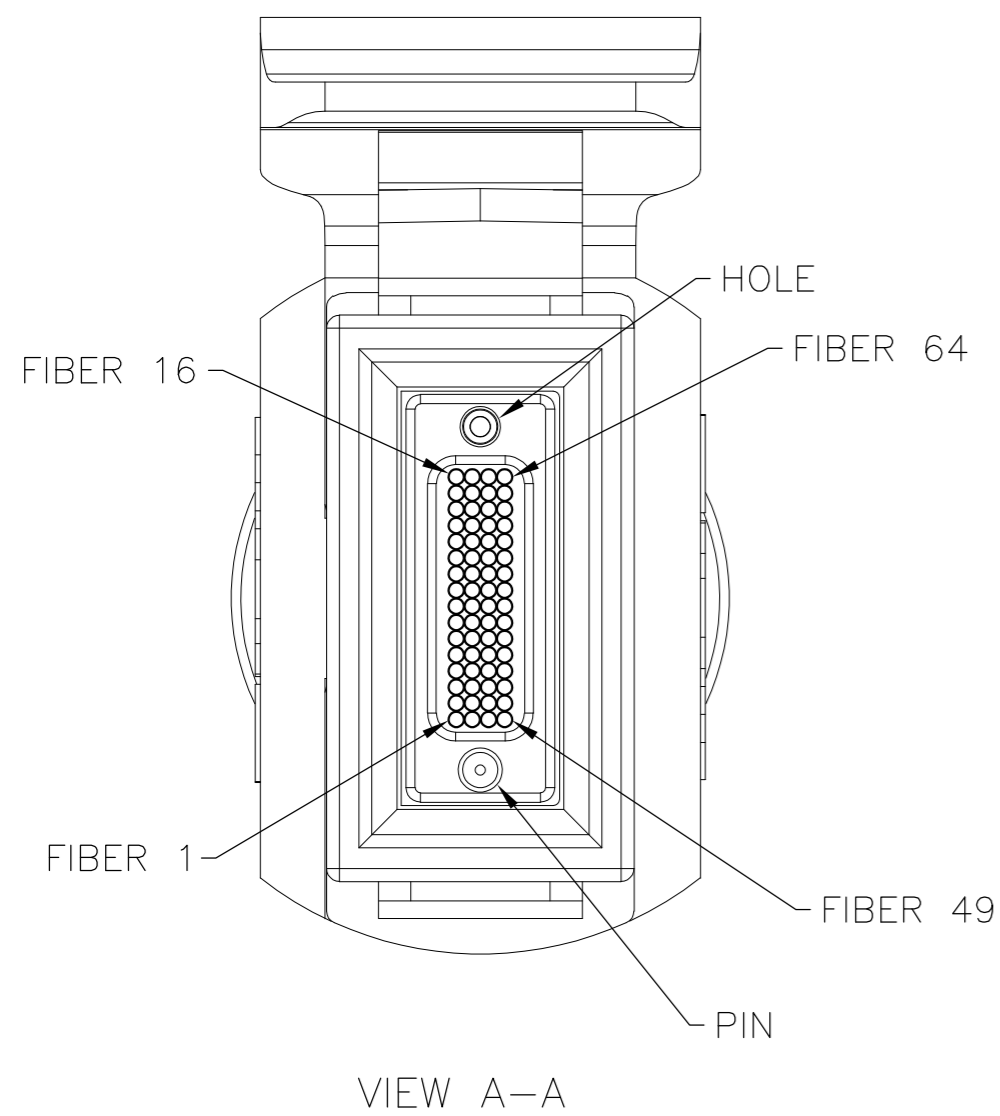
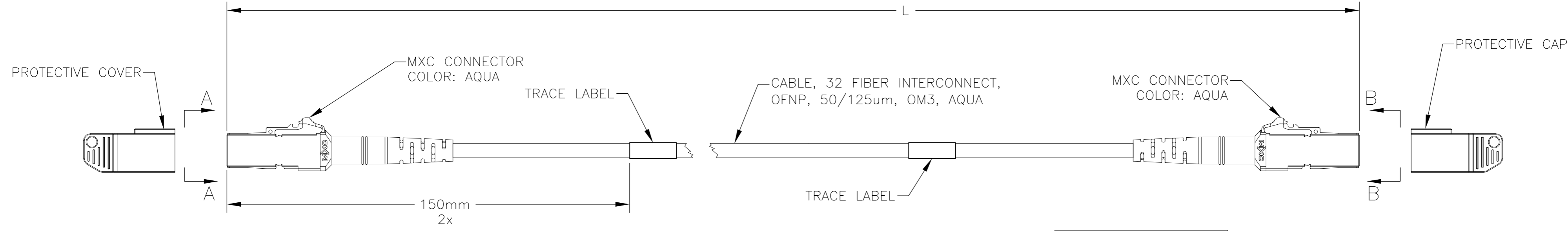
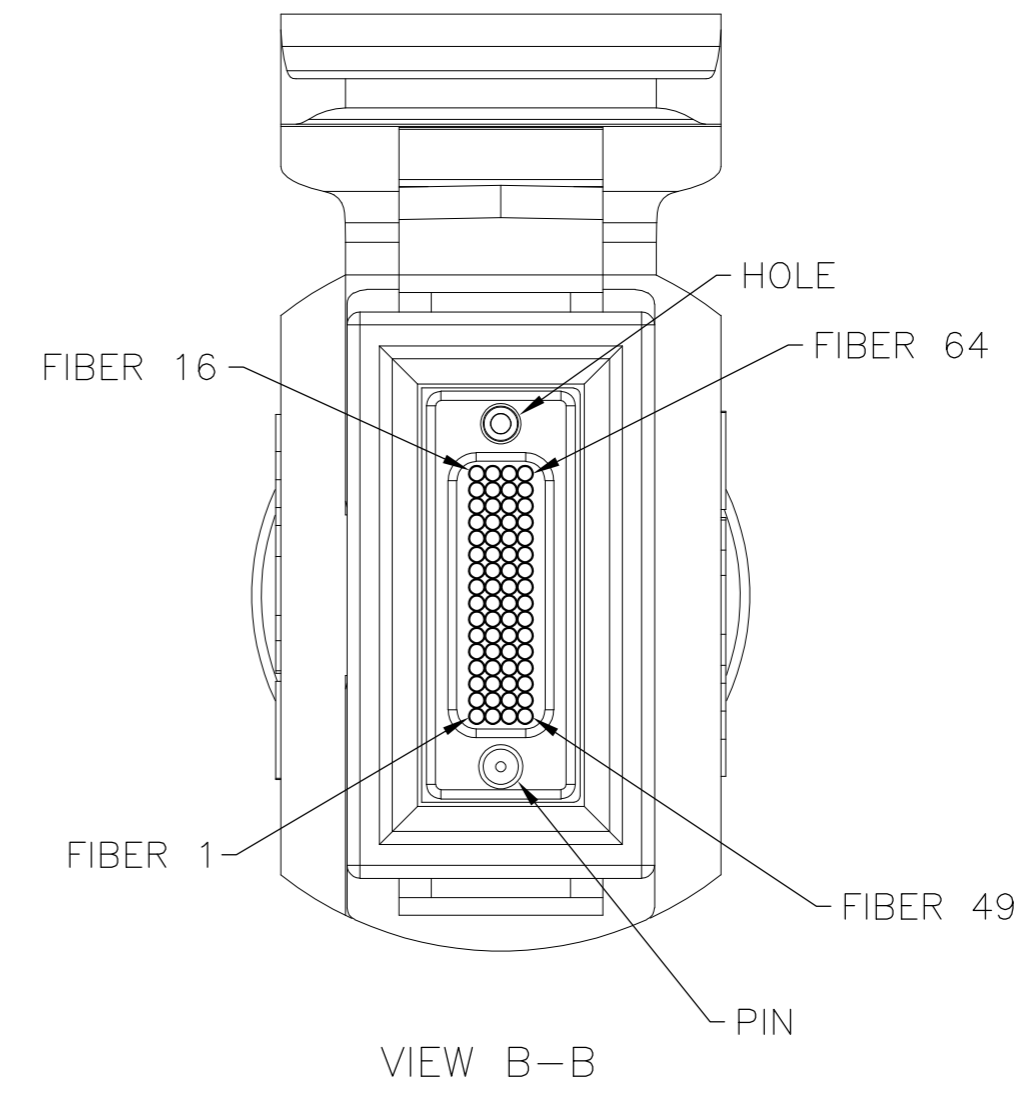


THIS DRAWING IS UNPUBLISHED. RELEASED FOR PUBLICATION
 © COPYRIGHT - By - ALL RIGHTS RESERVED.

LOC		DIST		REVISIONS			
P	LTR	DESCRIPTION	DATE	OWN	APVD		
-	-	SEE SHEET 2	-	-	-		



MXC 1 FIBER NUMBER	FIBER COLOR	MXC 2 FIBER NUMBER
17	BLUE	32
18	ORANGE	31
19	GREEN	30
20	BROWN	29
21	SLATE	28
22	WHITE	27
23	RED	26
24	BLACK	25
25	YELLOW	24
26	VIOLET	23
27	ROSE	22
28	AQUA	21
29	MAGENTA	20
30	OLIVE	19
31	DARK GREEN	18
32	YELLOW BANDED	17
33	BLUE	48
34	ORANGE	47
35	GREEN	46
36	BROWN	45
37	SLATE	44
38	WHITE	43
39	RED	42
40	BLACK	41
41	YELLOW	40
42	VIOLET	39
43	ROSE	38
44	AQUA	37
45	MAGENTA	36
46	OLIVE	35
47	DARK GREEN	34
48	YELLOW BANDED	33



- 1. MAXIMUM CONNECTOR INSERTION LOSS AT 850nm.
- 2. PRODUCT AND PROCESSING MUST MEET REQUIREMENTS OF TEC-138-702.

1.55	100±1.00	9-2123982-9
1.38	50±0.50	5-2123982-0
1.27	20±0.30	2-2123982-0
1.24	10±0.15	1-2123982-0
1.22	5±0.08	2123982-5
1.20	1±0.05	2123982-1
MAX IL CONNECTOR LOSS (dB) 1	L	PART NUMBER

THIS PRINT IS
PRELIMINARY
 UNQUALIFIED PRODUCT
 CONTACT PRODUCT ENGINEERING
 BEFORE USING THIS PRINT

THIS DRAWING IS A CONTROLLED DOCUMENT.

DWN: B.BRIGGS 14MAY2014	TE Connectivity PRELIMINARY CABLE ASSEMBLY, FIBER OPTIC, OM3, 32 FIBER MXC TO 32 FIBER MXC
CHK: E.HALEY 14MAY2014	
APVD: S.BUCHTER 14MAY2014	
PRODUCT SPEC	
APPLICATION SPEC	NAME
WEIGHT	SIZE CAGE CODE DRAWING NO RESTRICTED TO
MATERIAL	A2 00779 C-2123982
FINISH	CUSTOMER DRAWING SCALE NTS SHEET 1 OF 2 REV 2

THIS DRAWING IS UNPUBLISHED. RELEASED FOR PUBLICATION
 © COPYRIGHT - By - ALL RIGHTS RESERVED.

LOC	DIST	REVISIONS					
CE	00	P	LTR	DESCRIPTION	DATE	DWN	APVD
		-	-			-	EH

2123982-C				
REVISION HISTORY				
DATE	REV	CHANGES	REASON	APPROVAL
14MAY2014	1	PROPOSED	NEW DESIGN	BB / EH
3NOV2014	2	ADD TRACE LABELS, MAX IL VALUES, RENUMBER MXC 2 FIBERS, ENLARGE VEW A-A AND B-B		BB / EH

THIS PRINT IS
PRELIMINARY
 UNQUALIFIED PRODUCT
 CONTACT PRODUCT ENGINEERING
 BEFORE USING THIS PRINT

THIS DRAWING IS A CONTROLLED DOCUMENT.		DWN B.BRIGGS 14MAY2014	TE TE Connectivity																			
DIMENSIONS: meters		CHK E.HALEY 14MAY2014																				
TOLERANCES UNLESS OTHERWISE SPECIFIED:		APVD S.BUCHTER 14MAY2014	NAME CABLE ASSEMBLY, FIBER OPTIC, OM3, 32 FIBER MXC TO 32 FIBER MXC																			
<table border="0"> <tr><td>0 PLC</td><td>±</td><td>-</td></tr> <tr><td>1 PLC</td><td>±</td><td>-</td></tr> <tr><td>2 PLC</td><td>±</td><td>-</td></tr> <tr><td>3 PLC</td><td>±</td><td>-</td></tr> <tr><td>4 PLC</td><td>±</td><td>-</td></tr> <tr><td>ANGLES</td><td>±</td><td>-</td></tr> </table>		0 PLC	±	-	1 PLC	±	-	2 PLC	±	-	3 PLC	±	-	4 PLC	±	-	ANGLES	±	-	PRODUCT SPEC -	SIZE A2	
0 PLC	±	-																				
1 PLC	±	-																				
2 PLC	±	-																				
3 PLC	±	-																				
4 PLC	±	-																				
ANGLES	±	-																				
MATERIAL -		FINISH -	APPLICATION SPEC -	CAGE CODE 00779																		
		WEIGHT -	DRAWING NO C=2123982	RESTRICTED TO -																		
CUSTOMER DRAWING			SCALE NTS	SHEET 2 OF 2																		
			REV 2																			

2123982