

4

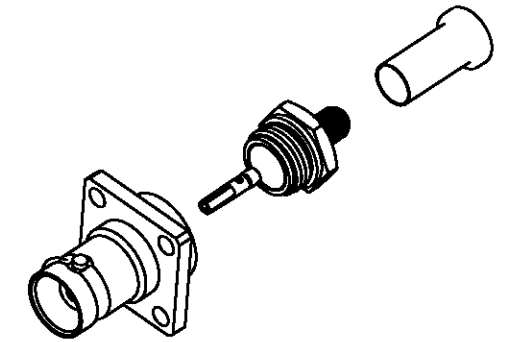
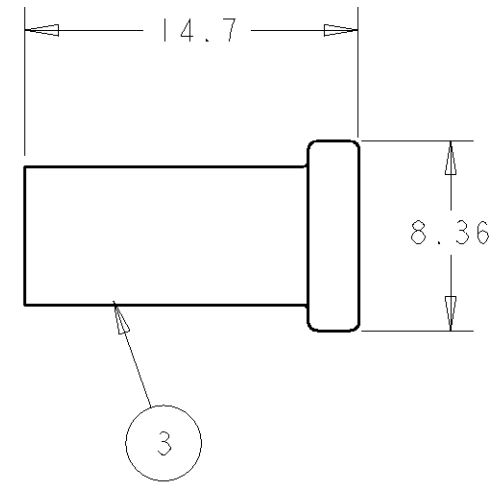
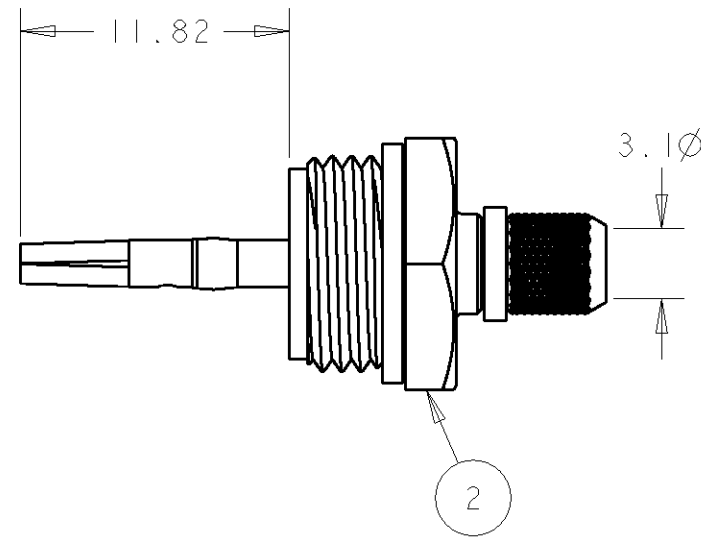
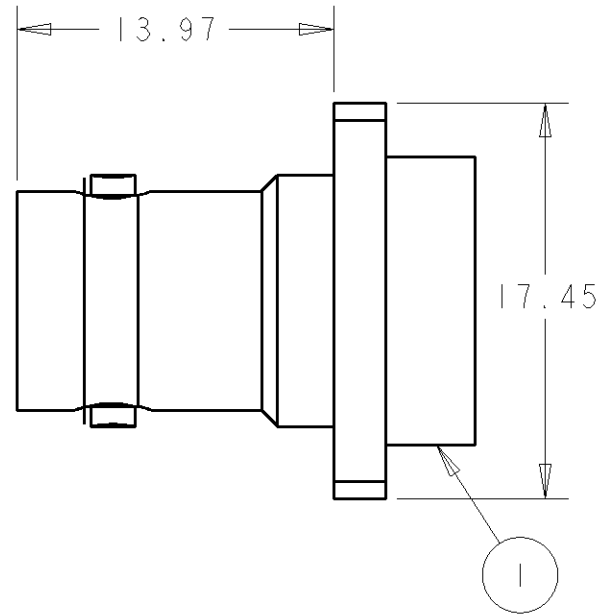
3

2

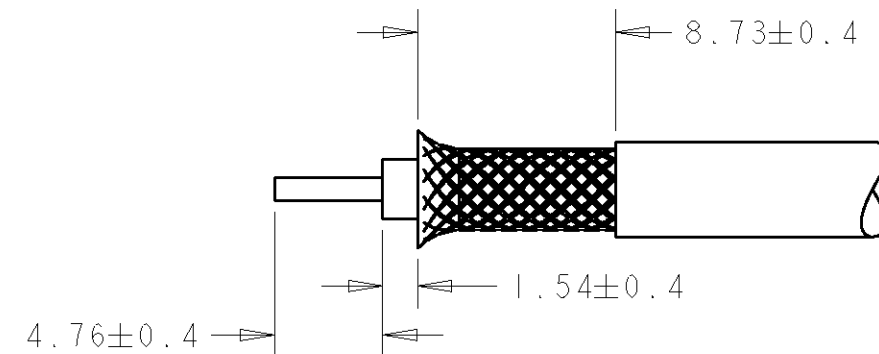
1

THIS DRAWING IS UNPUBLISHED. RELEASED FOR PUBLICATION 20
© COPYRIGHT 20 BY TYCO ELECTRONICS CORPORATION. ALL RIGHTS RESERVED.

| LOC | DIST | REVISIONS | | | | | |
|-----|------|-----------|-----|---------------|-----------|-----|------|
| | | P | LTR | DESCRIPTION | DATE | DWN | APVD |
| B | E | | A | ECR-06-023739 | 11AUG2006 | MJG | JA |
| | | | | | | | |
| | | | | | | | |



RECOMMENDED CABLE PREPARATION
DENUDAGE RECOMMANDE



NOTES:

- FOR USE WITH FILECA CABLE 1703/4
UTILISER AVEC FILECA CABLE 1703/4
- CRIMP WITH HAND TOOL Pt No 69376-2 OR 69710 + INSET 69493
PINCE A SERTIR REF: 69376-2 ou 69710 + MATRICE 69493
- INSTRUCTION SHEET 408-1799-5
INSTRUCTION DE SERTISSAGE: 408-1799-5

| ASSY PART NO | QTY | DESCRIPTION | PART NO | ITEM |
|--------------|-----|---------------------|------------|------|
| 134005-1 | 1 | FERRULE | 134002-1 | 3 |
| | 1 | CRIMP END ASSY | 1-330956-0 | 2 |
| | 1 | BNC PANEL JACK ASSY | 331277 | 1 |

| | | | | | |
|---|--|---|--|---|--|
| <small>THIS DRAWING IS A CONTROLLED DOCUMENT FOR TYCO ELECTRONICS CORPORATION IT IS SUBJECT TO CHANGE AND THE CONTROLLING ENGINEERING ORGANIZATION SHOULD BE CONTACTED FOR THE LATEST REVISION.</small> | | DWN M.GREENER 11AUG2006 CHK J.AMBROSE 11AUG2006 APVD J.AMBROSE 11AUG2006 PRODUCT SPEC | | tyco Tyco Electronics Electronics Bideford, Devon EX39 4HE | |
| DIMENSIONS: MM | | TOLERANCES UNLESS OTHERWISE SPECIFIED: 0 PLC ±- 1 PLC ±0.5 2 PLC ±0.5 3 PLC ±0.5 4 PLC ±0.5 ANGLES ±2 | | NAME BNC SERIES TYPE E | |
| MATERIAL FINISH - | | APPLICATION SPEC WEIGHT | | SIZE CAGE CODE DRAWING NO RESTRICTED TO A300779 C-134005 | |
| CUSTOMER DRAWING | | | | SCALE NTS SHEET 1 OF 1 REV A | |

Mouser Electronics

Authorized Distributor

Click to View Pricing, Inventory, Delivery & Lifecycle Information:

[TE Connectivity:](#)

[134005-1](#)