

4

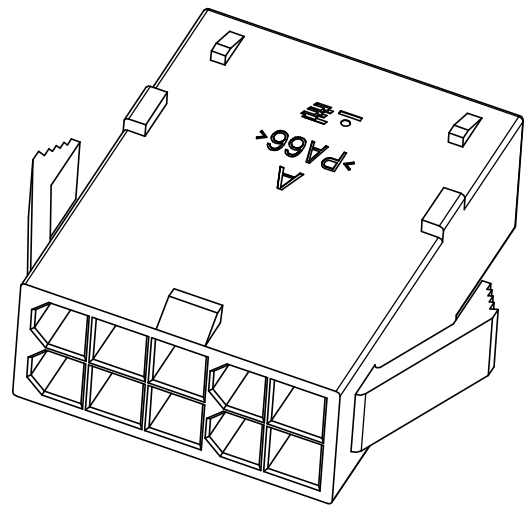
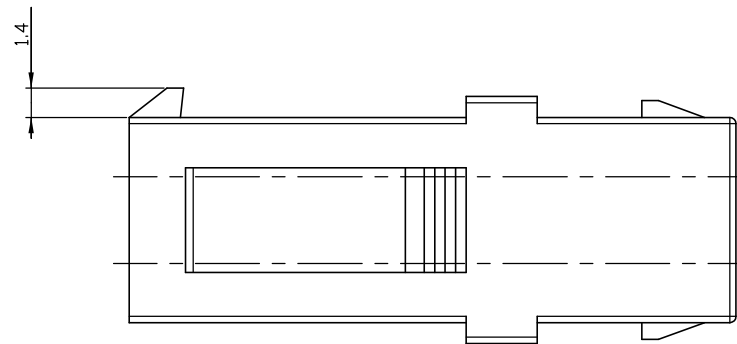
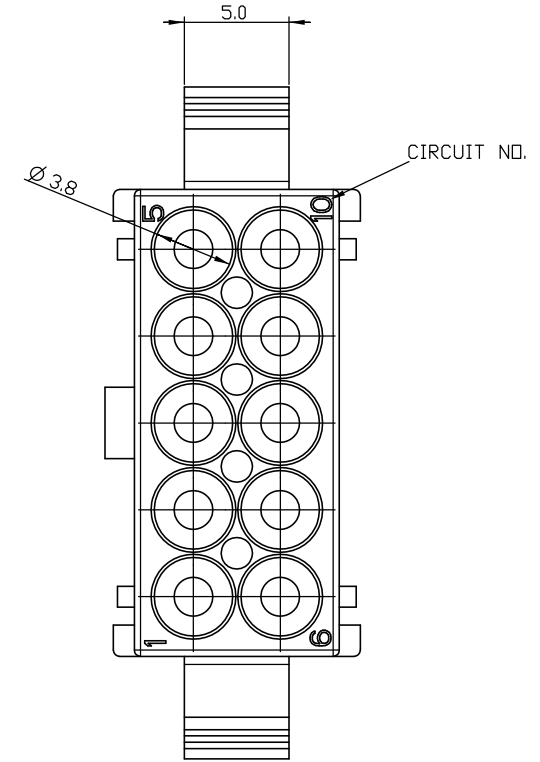
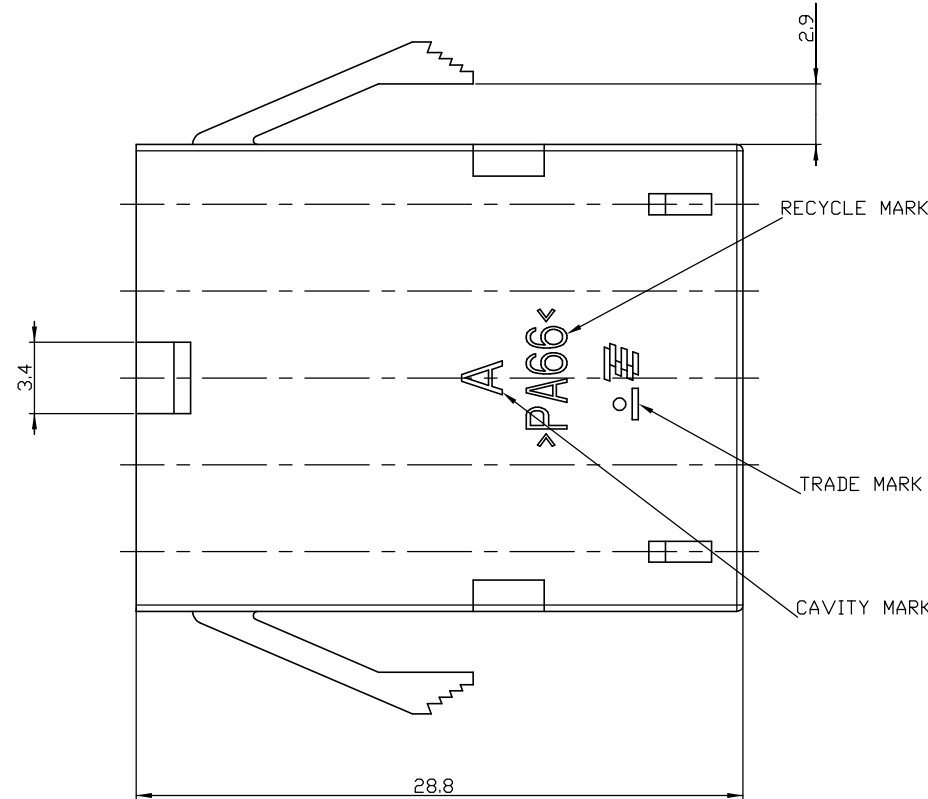
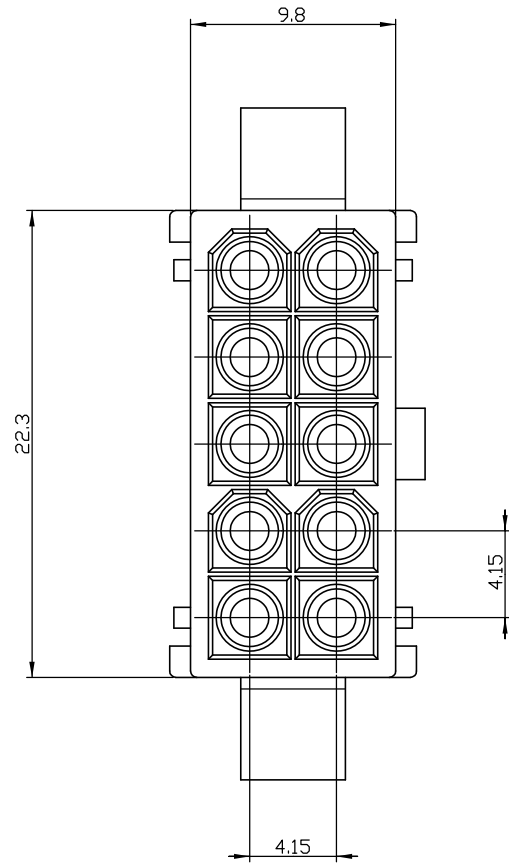
3

2

1

THIS DRAWING IS UNPUBLISHED. RELEASED FOR PUBLICATION 20
 © COPYRIGHT 20 BY TYCO ELECTRONICS CORPORATION. ALL RIGHTS RESERVED.

LOC	DIST	REVISIONS					
		P	LTR	DESCRIPTION	DATE	DWN	APVD
DS	-	A		RELEASED	18,MAR,08	JH	JK



ISOMETRIC VIEW

- NOTES.
1. APPLICABLE CONN. P/N: X-1897620-X
 2. APPLICABLE CONTACT P/N: 770901-X 770903-X
 3. APPLICABLE WIRE SEAL P/N: 2005877-X

1-1897624-1	6/6 NYLON (GWT)	NATURAL
1897624-1	6/6 NYLON UL 94 V-0	NATURAL
P/N	MATERIAL	COLOR

<small>THIS DRAWING IS A CONTROLLED DOCUMENT FOR TYCO ELECTRONICS CORPORATION. IT IS SUBJECT TO CHANGE AND THE CONTROLLING ENGINEERING ORGANIZATION SHOULD BE CONTACTED FOR THE LATEST REVISION.</small>		DWN JH_GONG CHK RW_KANG APVD JK_SONG PRODUCT SPEC 108-61101 APPLICATION SPEC 114-16017 WEIGHT - FINISH -		STE TE CONNECTIVITY NAME MINI MTDL 10P CAP HSG	
DIMENSIONS: MM 	TOLERANCES UNLESS OTHERWISE SPECIFIED: 0 PLC ± 1 PLC ± 2 PLC ± ±0.25 3 PLC ± 4 PLC ± ANGLES ±	MATERIAL 6/6 NYLON	SIZE A200779	DRAWING NO C=1897624	RESTRICTED TO -
CUSTOMER DRAWING			SCALE 4:1	SHEET 1 OF 1	REV A

Mouser Electronics

Authorized Distributor

Click to View Pricing, Inventory, Delivery & Lifecycle Information:

[TE Connectivity:](#)

[1897624-1](#)