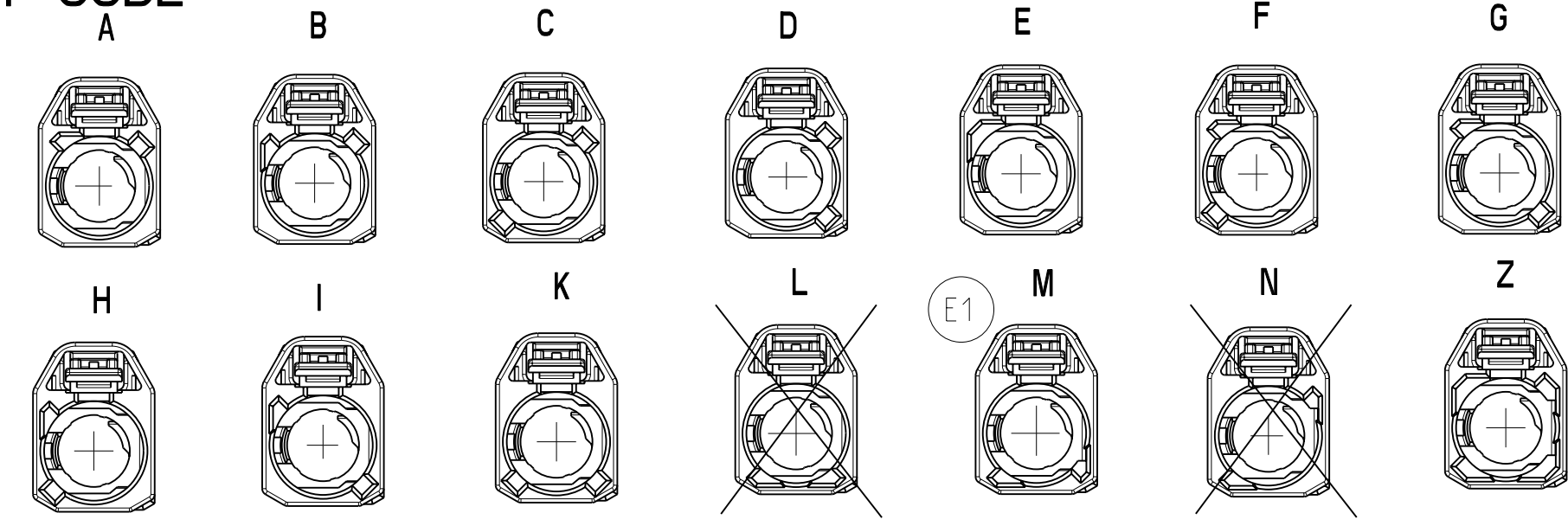
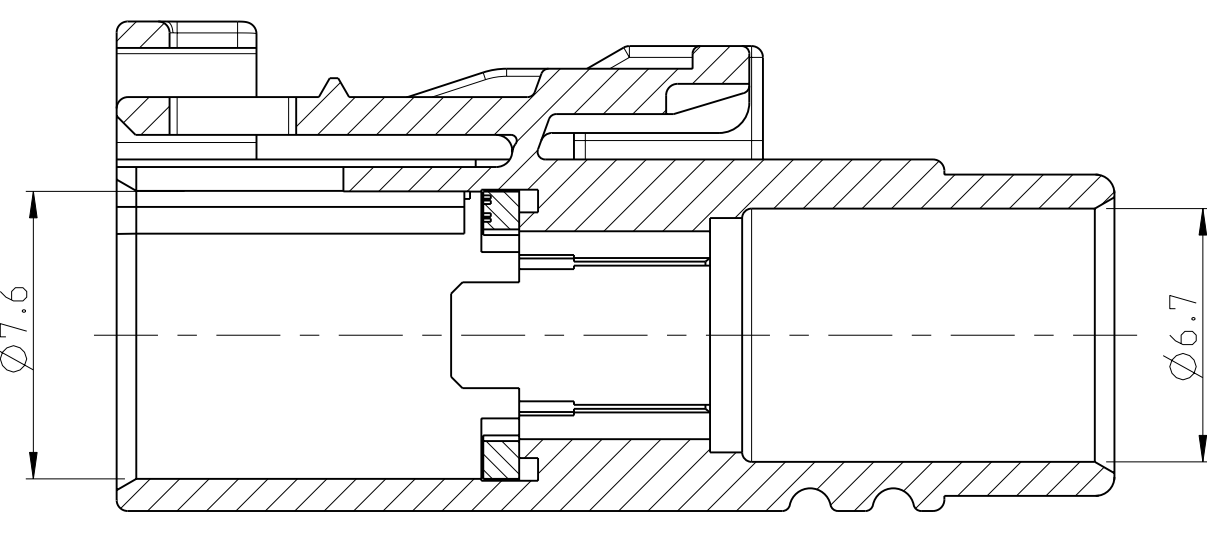
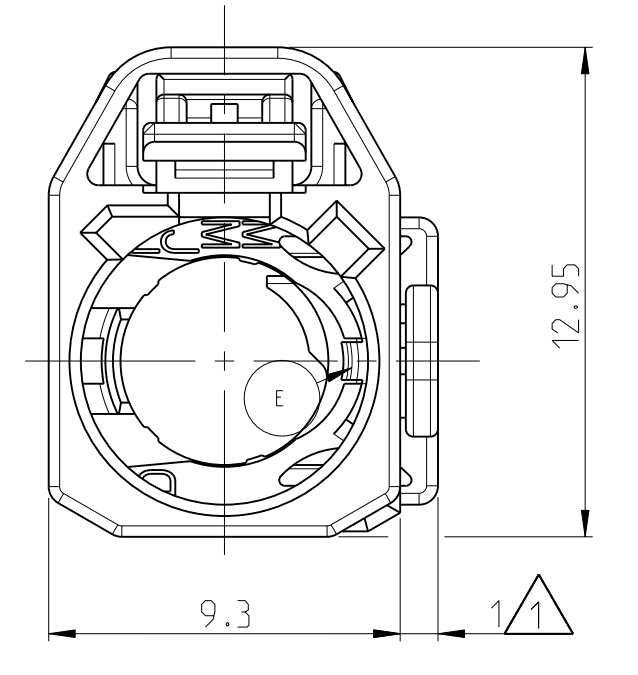
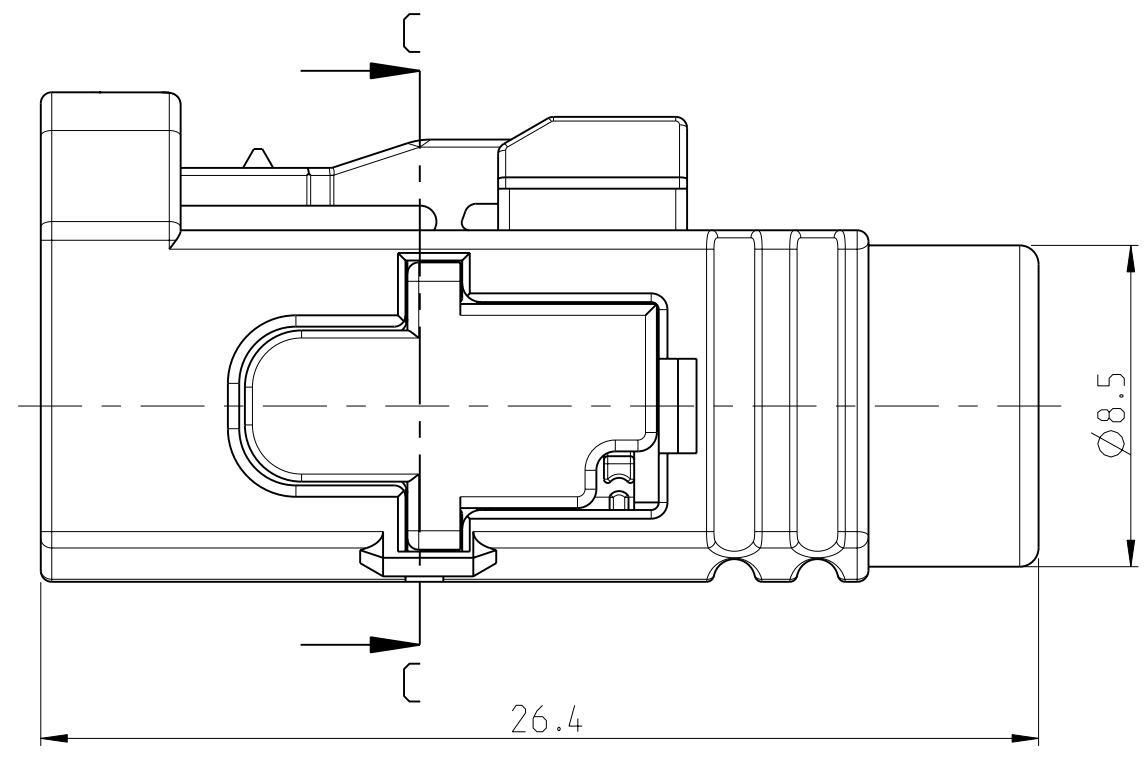
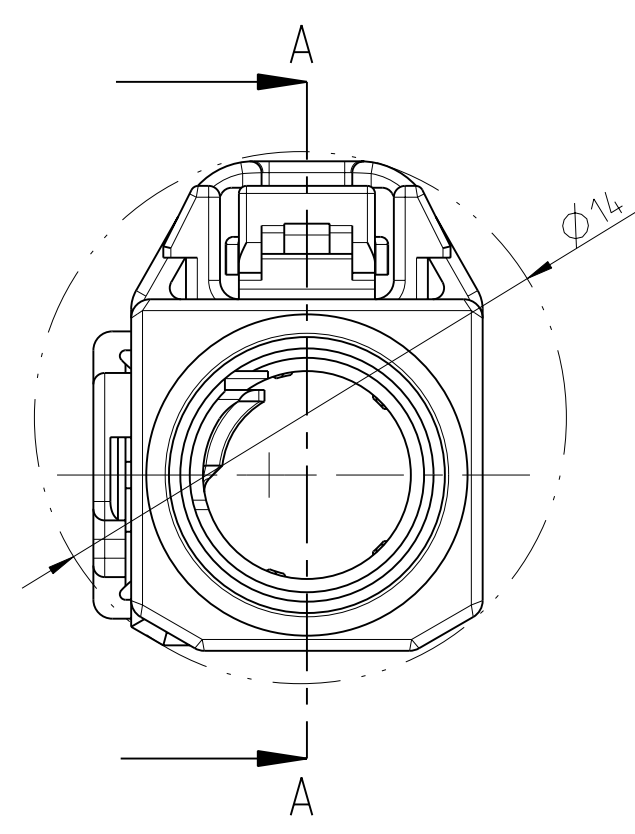
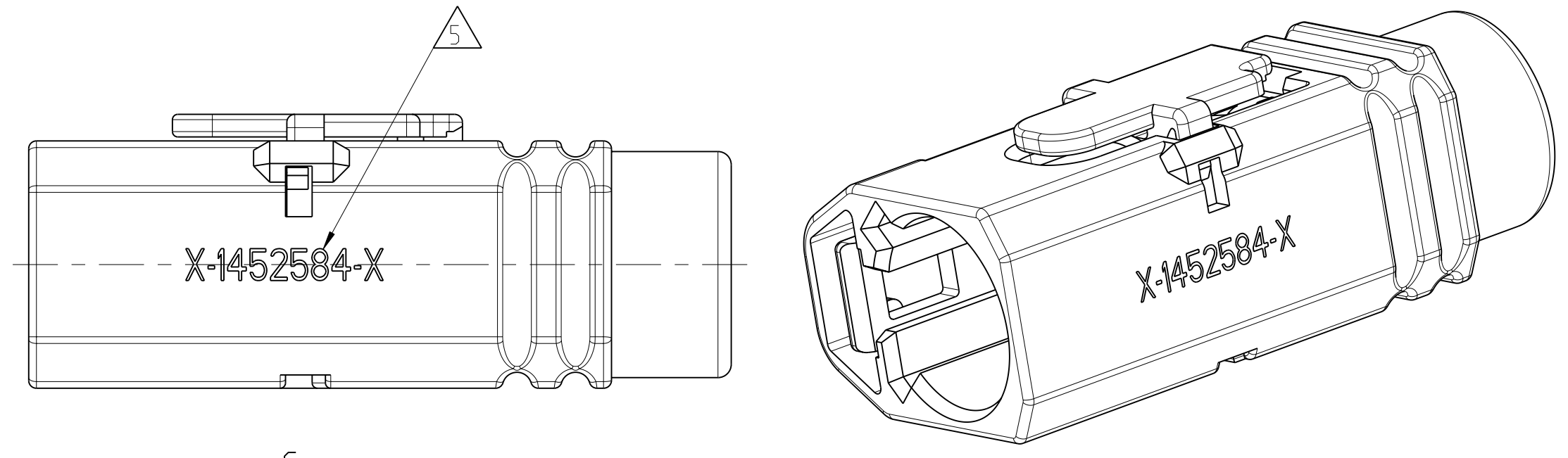
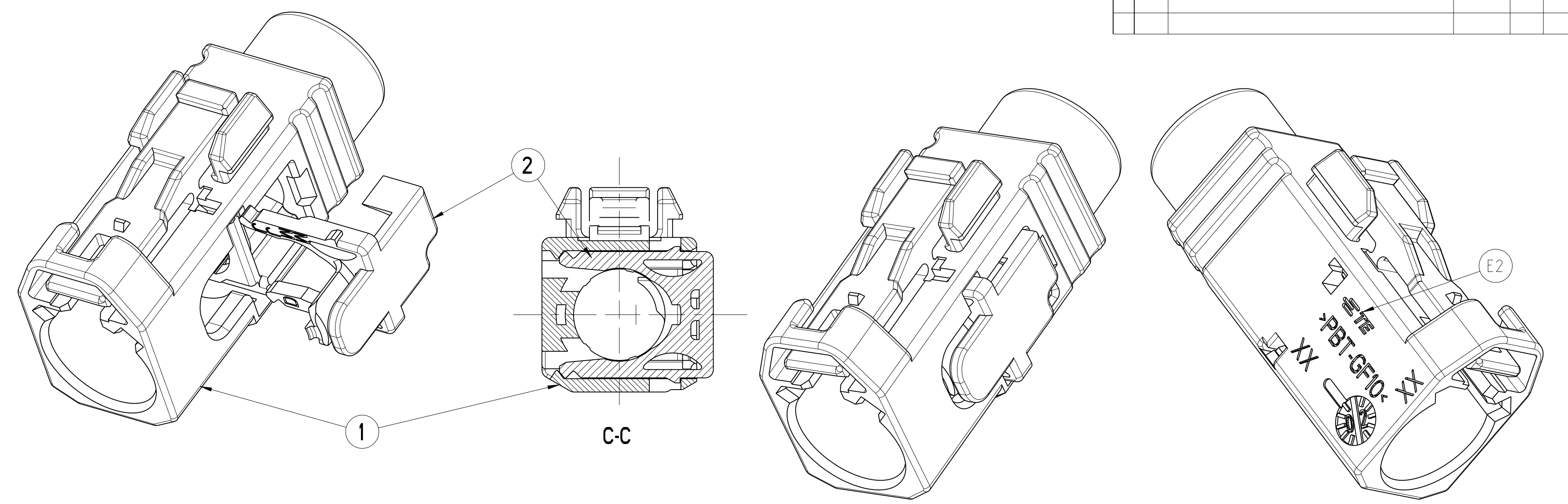
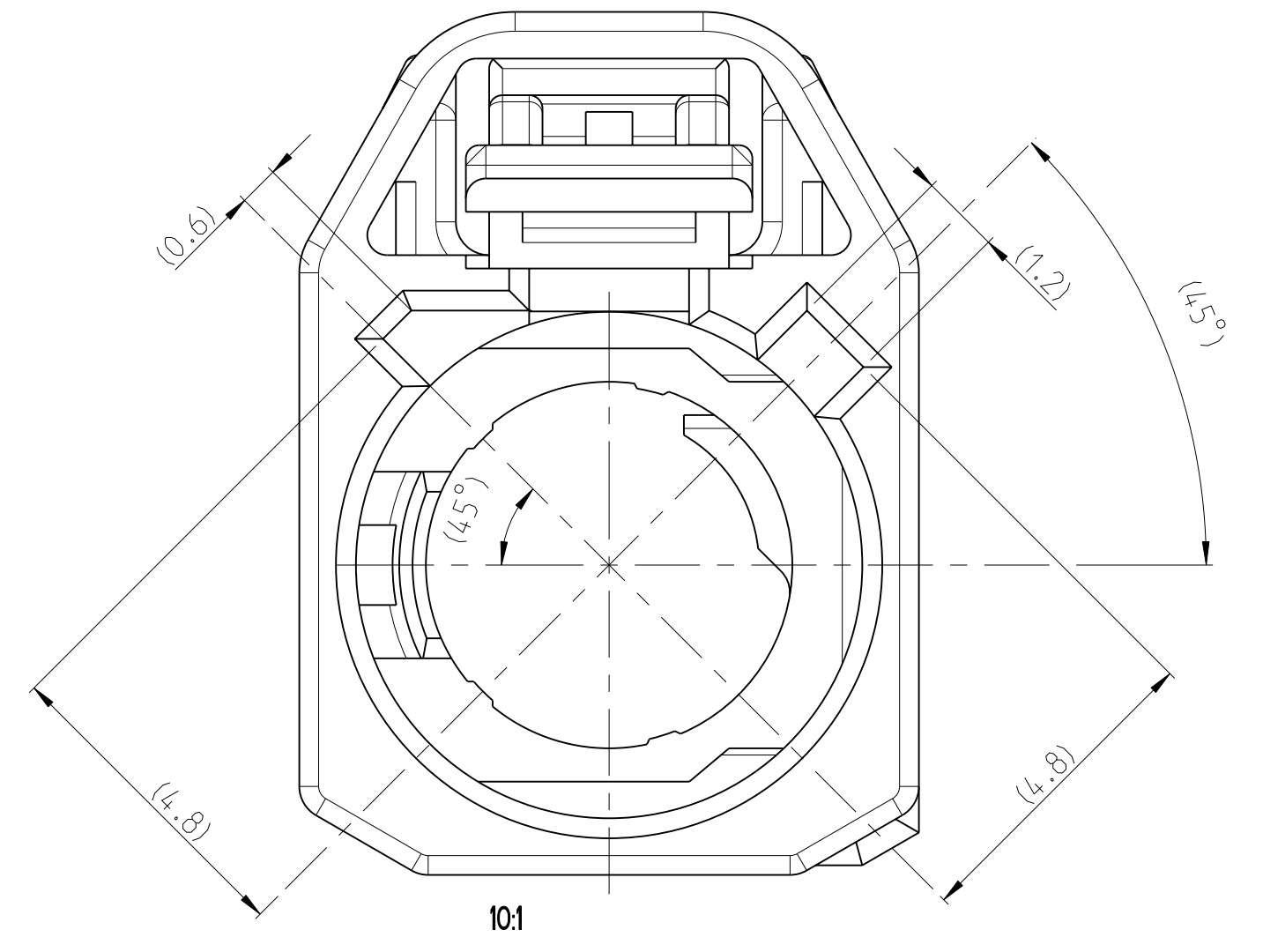


Codierung KEY CODE 2:1



Bemassung gilt fuer alle Fuehrungen fuer die Kodierrippen
DIMENSIONS APPLY TO ALL GUIDANCES FOR THE CODING RIBS



Bemerkungen NOTES

- 1 Sekundarverriegelung in Vorraststellung
RETAINER IN PRE-SET POSITION
- 2 0-1452584-1 wie gezeichnet
0-1452584-1 AS SHOWN
- 3 Im gesteckten Zustand sollen die elektrischen und mechanischen Anforderungen nach FAKRA und IEC 169-10 erfuellt werden.
THE CONNECTION HAS TO FULFILL THE MECHANICAL AND ELECTRICAL REQUIREMENTS OF FAKRA AND IEC 169-10.
- 4 Passende Kontakte siehe K-Zeichnung 1488571
SUITABLE TERMINALS SEE C-DRAWING 1488571
- 5 TE Teile Nummer siehe Tabelle
TE PART NUMBER SEE TABLE

TE PART NUMBER	REV	KEY CODE	COLOUR	DESCRIPTION	QTY	ITEM NO	SUITABLE FOR
1-1452584-4		E N	traffic purple/4006 green/6019	1 WAY RETAINER 1 WAY PLUG HSG.	1 1	2 1	1-1452581-4
1-1452584-3		E M	traffic purple/4006 orange/2003	1 WAY RETAINER 1 WAY PLUG HSG.	1 1	2 1	1-1452581-3
1-1452584-2		E L	traffic purple/4006 red/3002	1 WAY RETAINER 1 WAY PLUG HSG.	1 1	2 1	1-1452581-2
1-1452584-1		E Z	traffic purple/4006 water blue/5021	1 WAY RETAINER 1 WAY PLUG HSG.	1 1	2 1	1-1452581-1
1-1452584-0		E K	traffic purple/4006 curry/1027	1 WAY RETAINER 1 WAY PLUG HSG.	1 1	2 1	1-1452581-0
0-1452584-9		E I	traffic purple/4006 beige/1001	1 WAY RETAINER 1 WAY PLUG HSG.	1 1	2 1	0-1452581-9
0-1452584-8		E H	traffic purple/4006 violett/4003	1 WAY RETAINER 1 WAY PLUG HSG.	1 1	2 1	0-1452581-8
0-1452584-7		E G	traffic purple/4006 blue grey/7031	1 WAY RETAINER 1 WAY PLUG HSG.	1 1	2 1	0-1452581-7
0-1452584-6		E F	traffic purple/4006 brown/8011	1 WAY RETAINER 1 WAY PLUG HSG.	1 1	2 1	0-1452581-6
0-1452584-5		E E	traffic purple/4006 green/6002	1 WAY RETAINER 1 WAY PLUG HSG.	1 1	2 1	0-1452581-5
0-1452584-4		E D	traffic purple/4006 claret violett/4004	1 WAY RETAINER 1 WAY PLUG HSG.	1 1	2 1	0-1452581-4
0-1452584-3		E C	traffic purple/4006 blue/5005	1 WAY RETAINER 1 WAY PLUG HSG.	1 1	2 1	0-1452581-3
0-1452584-2		E B	traffic purple/4006 cream/9001	1 WAY RETAINER 1 WAY PLUG HSG.	1 1	2 1	0-1452581-2
0-1452584-1		E A	traffic purple/4006 black/9005	1 WAY RETAINER 1 WAY PLUG HSG.	1 1	2 1	0-1452581-1

THIS DRAWING IS A CONTROLLED DOCUMENT.		OWN: G.HO/TEA 27Mar2012		
DIMENSIONS: mm		CHK: H. RIPPER 26FEB2003		
TOLERANCES UNLESS OTHERWISE SPECIFIED:		APVD: G. MUMPER 27FEB2003	NAME: Steckergehaeuse (Buchse), Zusammenbau PLUG HOUSING (FEMALE) ASSEMBLY	
9 PLC ±0.3		PRODUCT SPEC: 108-18897-1	1-polig, 1WAY, FAKRA 2	
1 PLC ±0.3		APPLICATION SPEC: 114-18609-1	SIZE: CAGE CODE DRAWING NO: A1 00779 C=1452584	
2 PLC ±0.3		WEIGHT: -	RESTRICTED TO: -	
3 PLC ±0.3		CUSTOMER DRAWING	SCALE: 5:1 SHEET: 1 OF 1 REV: E2	
4 PLC ±0.3				
ANGLES FINISH				