

LOC	DIST	REVISIONS					
A	00	P	LTR	DESCRIPTION	DATE	DWN	APVD
			A2	ECR-12-07795	10-2012	MY	GB


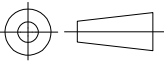
SEE PRODUCTION DRAWING
 1855212

RELEASED FOR PUBLICATION

ALL RIGHTS RESERVED.

THIS DRAWING IS UNPUBLISHED.

By -
 © COPYRIGHT

DIMENSIONS: INCHES	DWN	M. YOUNGER	11OCT2012	MATERIAL	-	FINISH	-	
	CHK	M. YOUNGER	15OCT2012	 TE Connectivity				
TOLERANCES UNLESS OTHERWISE SPECIFIED:	APVD	G. BAILEY	15OCT2012					
0 PLC ± -	PRODUCT SPEC	NAME END FEED HDM APPLICATOR FINE ADJUST						
1 PLC ± -	APPLICATION SPEC							
2 PLC ± -	WEIGHT	-	SIZE	CAGE CODE	DRAWING NO	RESTRICTED TO		
3 PLC ± -			A4	00779	C-1855212	-		
4 PLC ± -			CUSTOMER DRAWING				SCALE	1:1
ANGLES ± -						SHEET	1 OF 1	
						REV	A2	