

52mm sq.

San Ace 52



General Specifications

- Material Frame: Plastics (Flammability: UL94V-0),
Impeller: Plastics (Flammability: UL94V-1)
- Expected Life Refer to specifications (L10:Survival rate:90% at 60°C ,
rated voltage, and continuously run in a free air state)
- Lead Wire ⊕red ⊖black or blue (Sensor) yellow
- Storage Temperature -30°C to +70°C (Non-condensing)

52×52×15mm (Mass : 55g) **9P** type

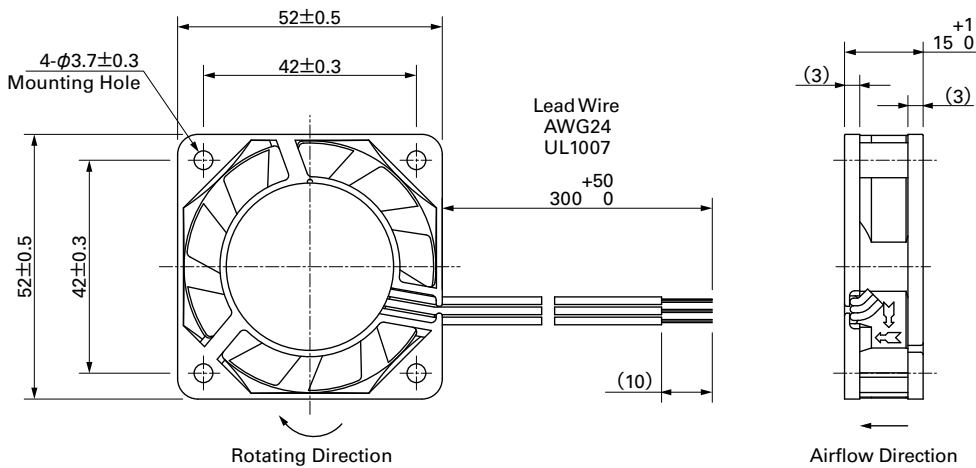
Specifications

The following nos. **have pulse sensors and ribs.**

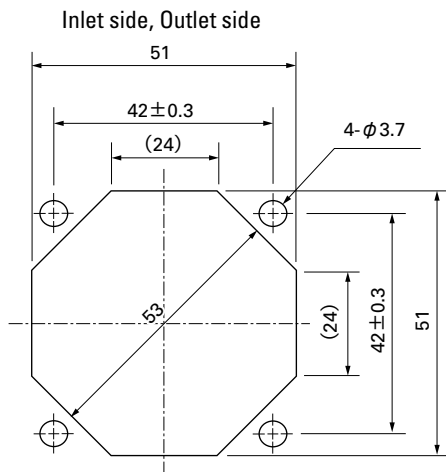
Model No.	Rated Voltage [V]	Operating Voltage Range [V]	Rated Current [A]	Rated Input [W]	Rated Speed [min ⁻¹]	Max. Airflow [m ³ /min] [CFM]	Max. Static Pressure [Pa] [inchH ₂ O]	SPL [dB(A)]	Operating Temperature [°C]	Expected Life [h]
109P0505M701	5	4.5 to 5.5	0.15	0.75	3,700	0.205 7.24	21.4 0.086	22	-20 to +70	60,000/60°C
109P0512A701	12	10.2 to 13.8	0.21	2.52	6,800	0.375 13.25	69.7 0.280	36		40,000/60°C
109P0512H701		7 to 13.8	0.10	1.20	4,600	0.255 9.00	31.9 0.128	27		60,000/60°C
109P0512M701			0.07	0.84	3,700	0.205 7.24	21.4 0.086	22		
109P0524A701	24	14 to 27.6	0.11	2.64	6,800	0.375 13.24	69.7 0.280	36	-20 to +60	40,000/60°C
109P0524H701			0.05	1.20	4,600	0.255 9.00	31.9 0.128	27	-20 to +70	60,000/60°C
109P0524M701			0.04	0.96	3,700	0.205 7.24	21.4 0.086	22		

Other sensor specifications are available as options. Please refer to the index (p. 497).

Dimensions (unit: mm)



Reference Dimensions of Mounting Holes and Vent Opening (unit: mm)

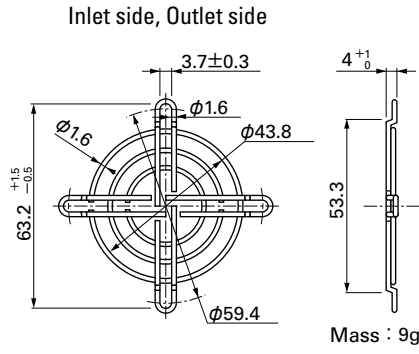
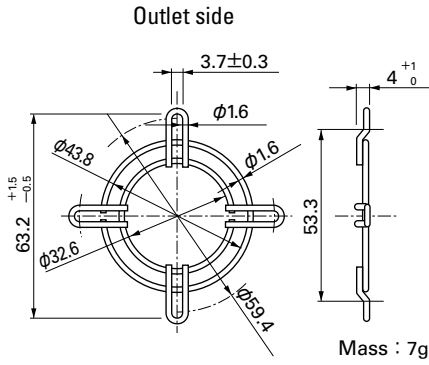


Options (unit: mm)

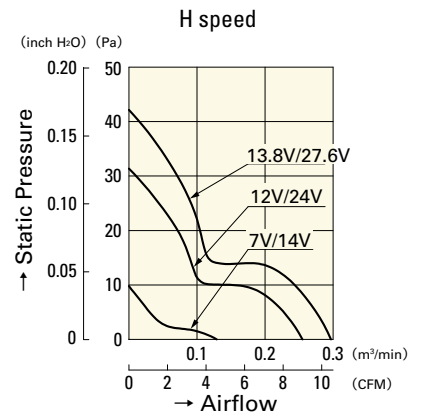
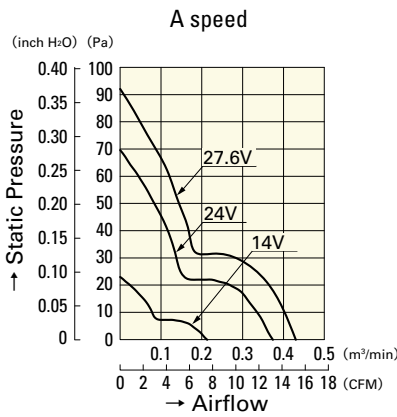
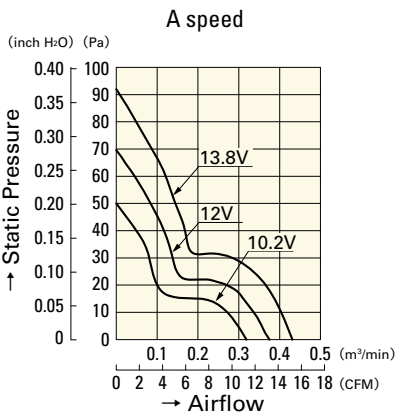
Finger Guards

Model : 109-149 Surface treatment : Nickel-chrome plating Color (silver)

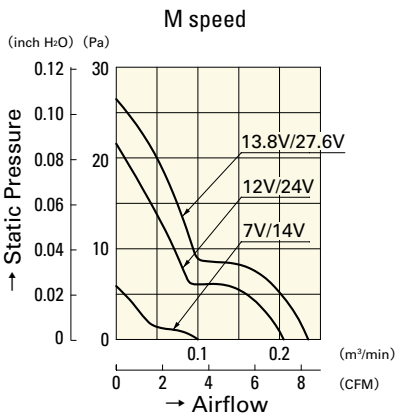
Model : 109-149E Surface treatment : Nickel-chrome plating Color (silver)



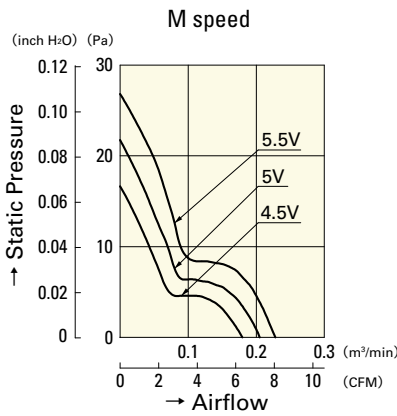
Airflow - Static Pressure Characteristics



109P0524H701



109P0524M701



Mouser Electronics

Authorized Distributor

Click to View Pricing, Inventory, Delivery & Lifecycle Information:

[Sanyo Denki:](#)

[109P0512A701](#) [109P0512H701](#) [109P0524H701](#) [109P0512M701](#) [109P0524A701](#) [109P0524M701](#) [109P0505M701](#)