

**92**mm sq.

# San Ace 92

25mm thick, 25mm thick (with Sensor)



## General Specifications

- Material..... Frame: Aluminum, Impeller:Plastics (Flammability: UL94V-1)
- Life Expectancy ..... Varies for each model (L10:Survival rate: 90% at 60°C , rated voltage,and continuously run in a free air state)
- Dielectric Strength ..... 50/60Hz 1,500VAC 1minute (between input terminal and frame)
- Dielectric Strength (With Sensor) ... between AC input and DC input(Sensor output)
  - : 50/60Hz 1,000VAC 1minute
  - between AC input and G
  - : 50/60Hz 1,500VAC 1minute,
  - between G and DC input(Sensor output)
  - : 50/60Hz 1,000VAC 1minute
- Sensor-Purpose Lead Wire ... ⊕ brown ⊖ black (Sensor) yellow

**92×92×25mm** (Mass : 290g / 310g (with Sensor))

## Specifications Standard

 ※ represents low-speed.

Model No.	Voltage [V]	Frequency [Hz]	Input [W]	Current [A]	Locked Rotor Current [A]	Rated Speed [min <sup>-1</sup> ]	Air Flow [m <sup>3</sup> /min] [CFM]	Static Pressure [Pa] [inchH <sub>2</sub> O]	SPL [dB(A)]	Operating Temperature [°C]	Life Expectancy [h]
109S091	100	50/60	8/7	0.1 /0.09	0.13/0.12	2,700/3,100	0.95/1.1 33.6/38.9	39.2/49.0 0.157/0.197	35/38	-30 to +60	25,000
109S093	115			0.09/0.08	0.11/0.1						
109S092	200		11/10	0.07/0.06	0.08/0.08						
109S094	230		10/9	0.06/0.05	0.07/0.07						
109S095	100		8/7	0.1 /0.09	0.11/0.1	2,400/2,800	0.84/0.98 29.7/34.6	31.4/40.2 0.126/0.161	32/35		
109S096 ※	100		7/6	0.09/0.08	0.09/0.08	1,500/1,700	0.55/0.65 19.4/23	12.5/16.3 0.050/0.065	24/27		
109S193 ※	115										
109S192 ※	200		8/7	0.06/0.05	0.06/0.05						
109S194 ※	230										

## with Sensor

 ※ represents low-speed.

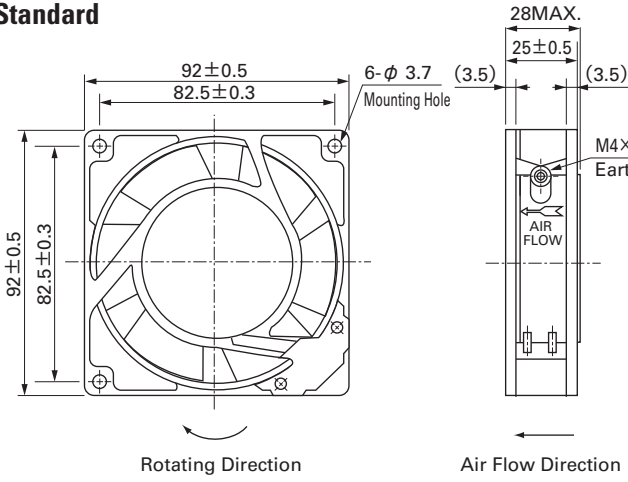
Model No.	Voltage [V]	Frequency [Hz]	Input [W]	Current [A]	Locked Rotor Current [A]	Rated Speed [min <sup>-1</sup> ]	Air Flow [m <sup>3</sup> /min] [CFM]	Static Pressure [Pa] [inchH <sub>2</sub> O]	SPL [dB(A)]	Operating Temperature [°C]	Life Expectancy [h]
109S491	100	50/60	8/7	0.1 /0.09	0.13/0.12	2,700/3,100	0.95/1.1 33.6/38.9	39.2/49.0 0.157/0.197	35/38	-10 to +60	25,000
109S493	115			0.09/0.08	0.11/0.1						
109S492	200		11/10	0.07/0.06	0.08/0.08						
109S494	230		10/9	0.06/0.05	0.07/0.07						
109S495	100		8/7	0.1 /0.09	0.11/0.1	2,400/2,800	0.84/0.98 29.7/34.6	31.4/40.2 0.126/0.161	32/35		
109S496 ※			7/6	0.09/0.08	0.09/0.08	1,500/1,700	0.55/0.65 19.4/23	12.5/16.3 0.050/0.065	24/27		

Two types of power supplies, 5V and 12V, are available in fans with sensor attached.

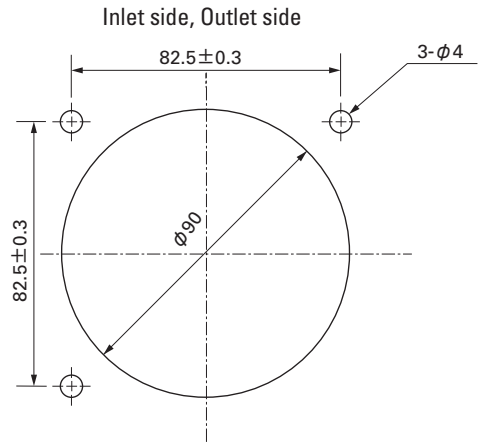
**Dimensions (Unit : mm)**

**Reference dimension of mounting holes and vent opening (Unit : mm)**

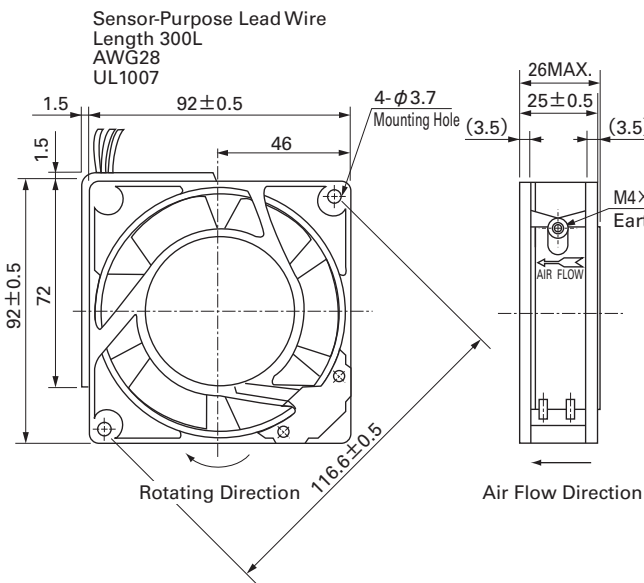
**Standard**



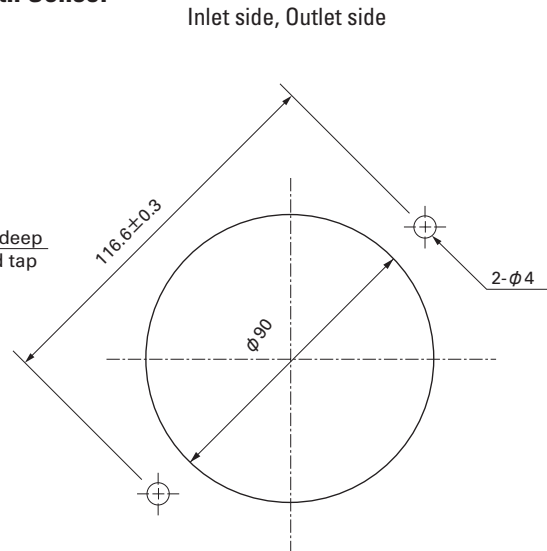
**Standard**



**with Sensor**

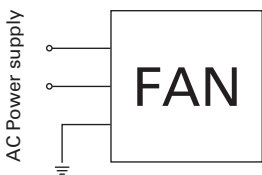


**with Sensor**



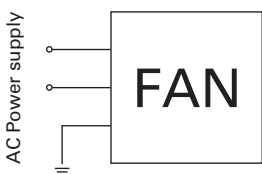
**Wiring diagram**

**Standard**

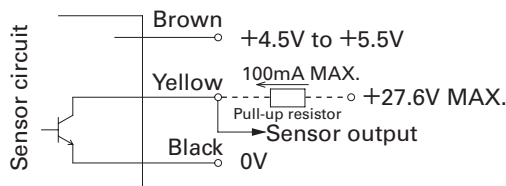


**with Sensor**

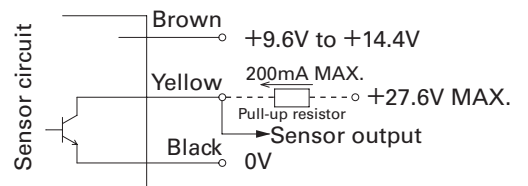
(For fan power supply)



**5V**



**12V**



GND should be shared in case that power supply for sensor circuit and that for sensor pull-up are separated.

**92**mm sq.

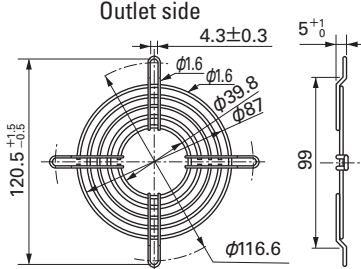
# San Ace 92

**92×92×25**mm [Mass : 290g / 310g (with Sensor)]

## Options (Unit : mm)

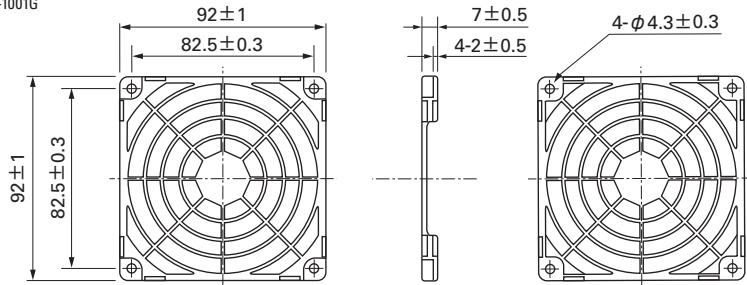
### Finger guards

Model : 109-099C Surface treatment : Nickel-chrome plating (silver) Color



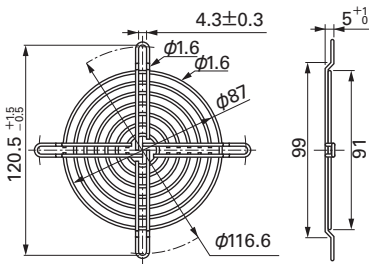
### Resin finger guards

Model : 109-1001G



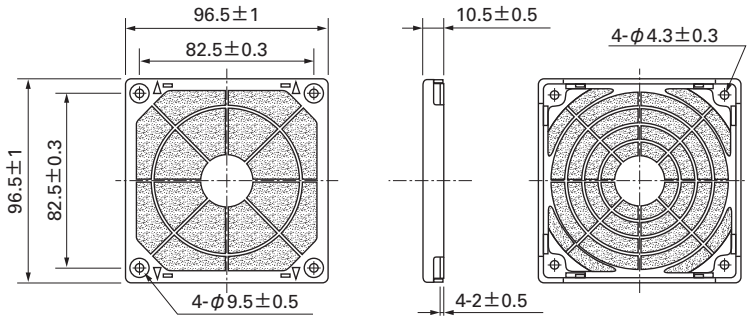
Model : 109-099E Surface treatment : Nickel-chrome plating (silver) Color  
: 109-099H : Cation electropainting (black)

### Inlet side, Outlet side



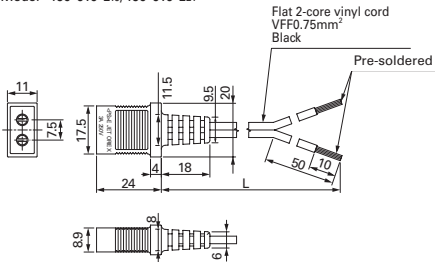
### Resin filter kits

Model : 109-1001F13 (13PPI), 109-1001F20 (20PPI)  
: 109-1001F30 (30PPI), 109-1001F40 (40PPI)

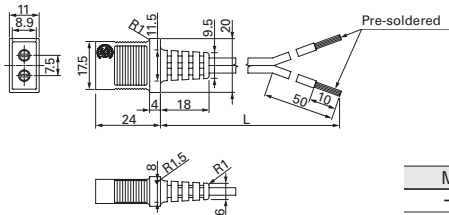


### Plug cord

(Products compliant with Electrical Appliance and Material Safety Law)  
Model : 489-016-L10/489-016-L21



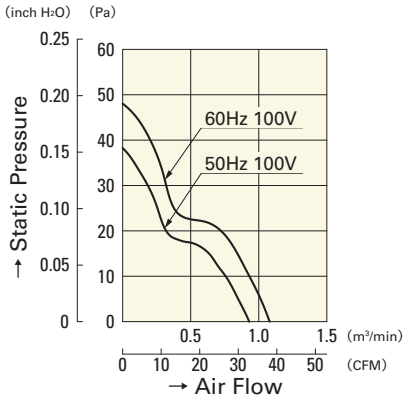
(UL/CSA CERTIFIED)  
UL FILE No.E50197 CSA FILE No.LR67048  
Model : 489-047-L10/489-047-L21



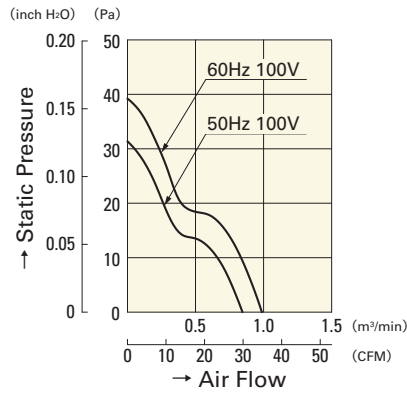
Model	Power cord length(mm)
- L10	1,000
- L21	2,100

**Air Flow and Static Pressure Characteristics**

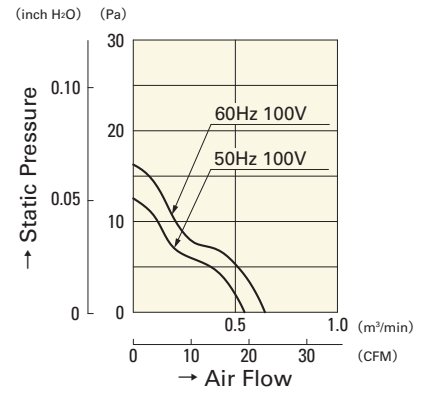
**Standard**



- 109S091**
- 109S093**
- 109S092**
- 109S094**

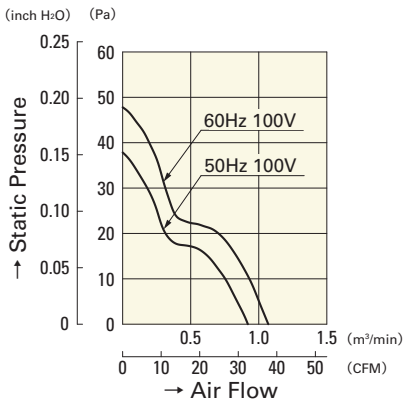


- 109S095**

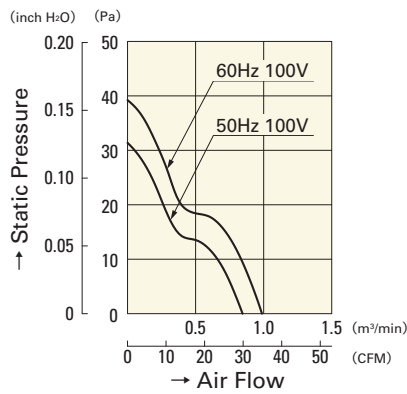


- 109S096**
- 109S193**
- 109S192**
- 109S194**

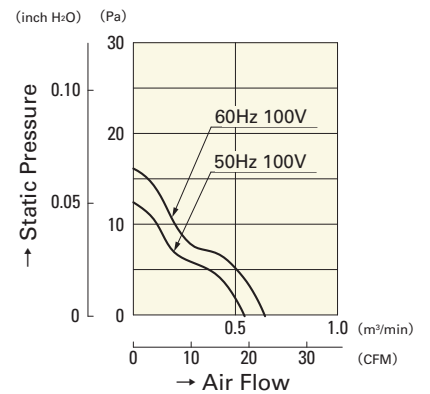
**with Sensor**



- 109S491**
- 109S493**
- 109S492**
- 109S494**



- 109S495**



- 109S496**