

THIS DRAWING IS UNPUBLISHED.

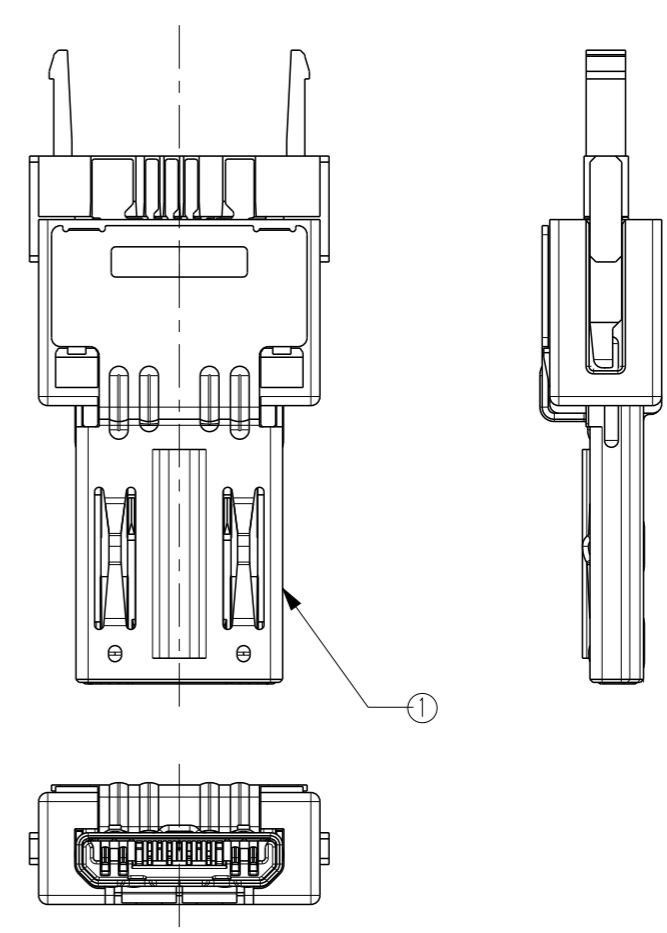
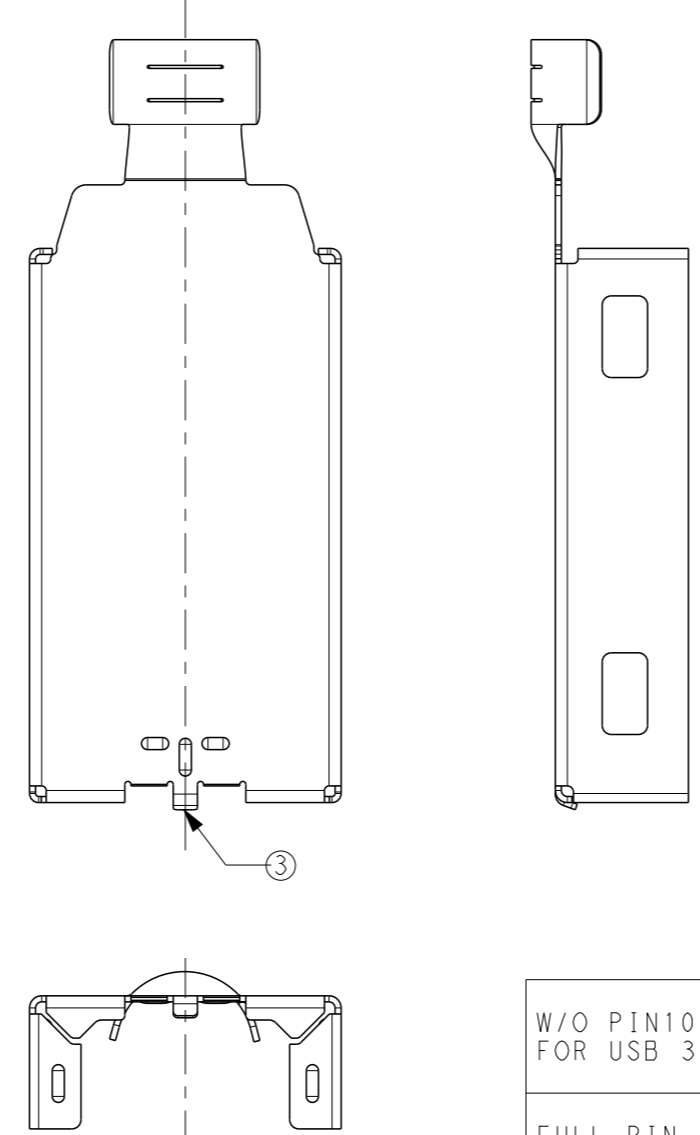
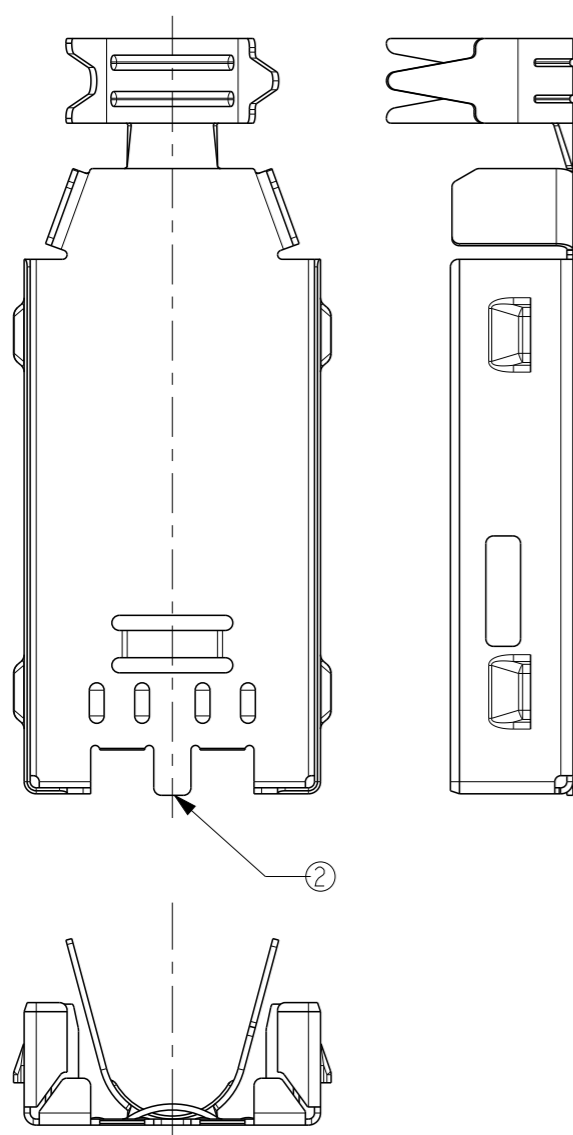
RELEASED FOR PUBLICATION

20

REVISIONS

© COPYRIGHT 20 BY - ALL RIGHTS RESERVED.

P	LTR	DESCRIPTION	DATE	DWN	APVD
	4	REVISED	08JAN2014	N.T	M.C



APPLICABLE CABLE ASSY	PART NO. FOR KIT	DESCRIPTION	PART NO.	QTY	ITEM
W/O PIN10~13 / FOR USB 3.0	2-2199225-3	COVER SHELL (BOTTOM)	2199301-2	1	③
		COVER SHELL (TOP)	2199297-2	1	②
		SEMI PLUG ASSY	1-2199225-1	1	①
FULL PIN / FOR PCB SOLDER	2-2199225-2	COVER SHELL (BOTTOM)	2199301-2	1	③
		COVER SHELL (TOP)	2199297-2	1	②
		SEMI PLUG ASSY	2199225-2	1	①
FULL PIN / FOR WIRE SOLDER	2-2199225-1	COVER SHELL (BOTTOM)	2199301-2	1	③
		COVER SHELL (TOP)	2199297-2	1	②
		SEMI PLUG ASSY	2199225-1	1	①

1. ITEM 2 AND 3 ARE NOT ASSEMBLED.
 2. PACKAGING QUANTITY: TBD

THIS DRAWING IS A CONTROLLED DOCUMENT.

DIMENSIONS: mm

TOLERANCES UNLESS OTHERWISE SPECIFIED:

0 PLC	±0.25
1 PLC	±0.25
2 PLC	±0.15
3 PLC	±0.15
4 PLC	±0.15
ANGLES	±3°

MATERIAL: SEE NOTE 3

FINISH: SEE NOTE 4

APPROVALS:

DWN	09-Jan-14	N. TSAI
CHK	09-Jan-14	G. SHIH
APVD	09-Jan-14	M. CHAO

PRODUCT SPEC: 108-115055

APPLICATION SPEC: 501-

WEIGHT: -

CUSTOMER DRAWING

STE TE Connectivity

PRELIMINARY

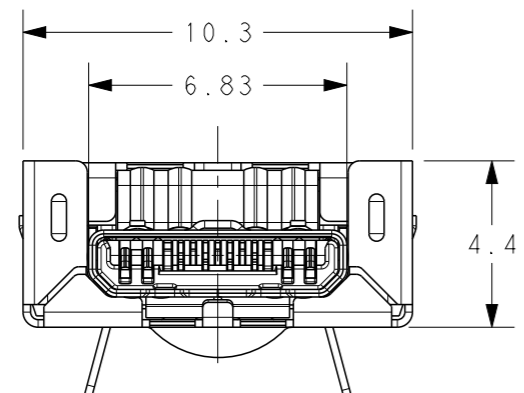
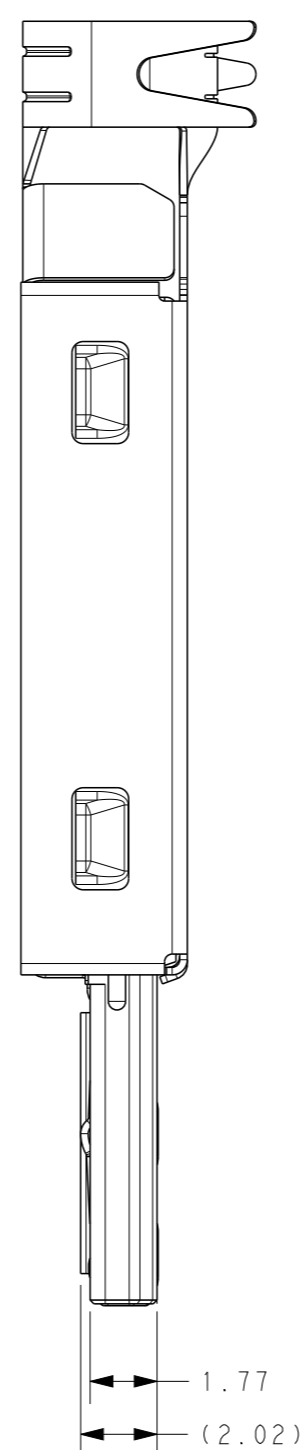
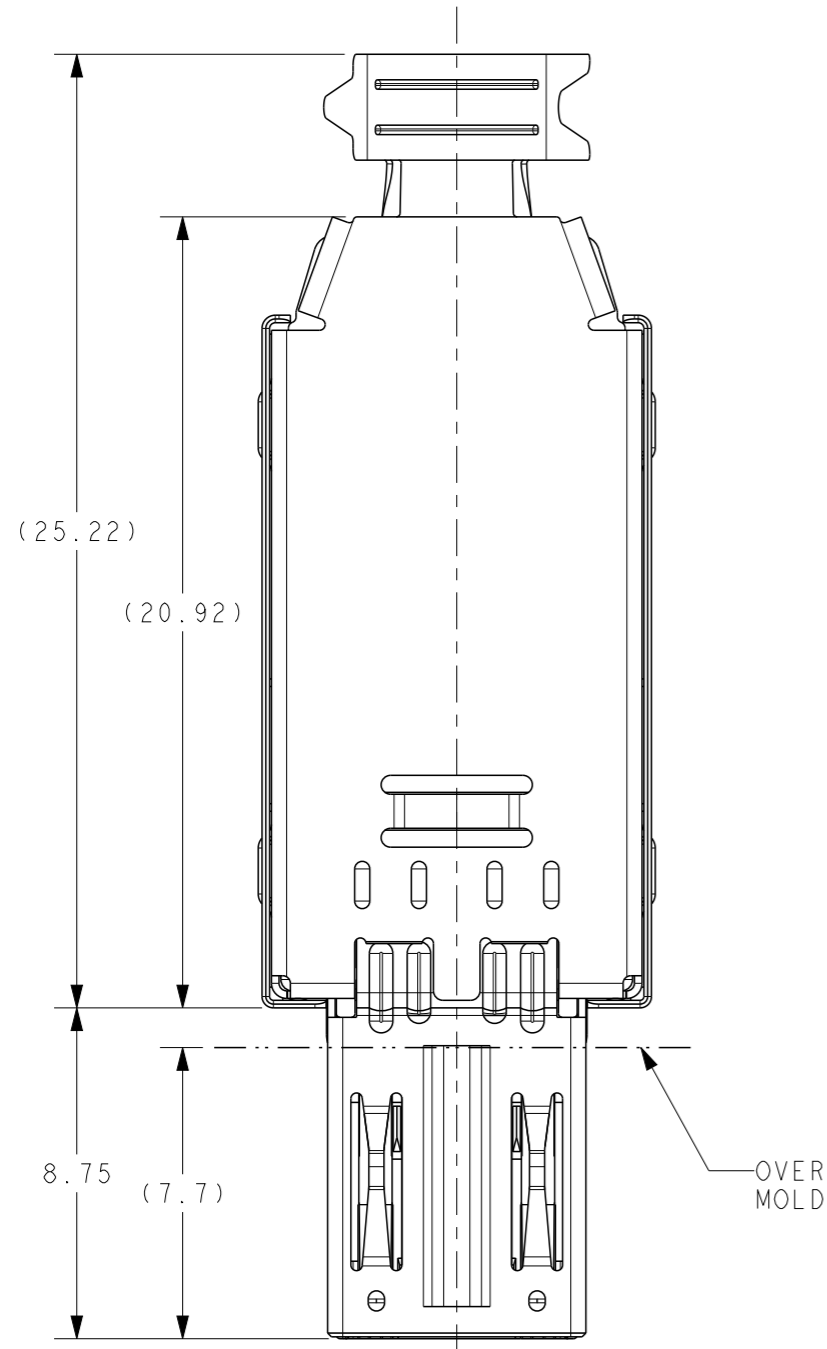
MULTI I/O 5+4+4 CABLE PLUG KIT

SIZE: A3	CAGE CODE: 300779	DRAWING NO: C-2199225	RESTRICTED TO: -
----------	-------------------	-----------------------	------------------

SCALE: 4:1 SHEET: 1 OF 3 REV: 4

REVISIONS

P	LTR	DESCRIPTION	DATE	DWN	APVD
-	-	SEE SHEET 1	-	-	-



REFERENCE: COVER SHELL ASSEMBLY

THIS DRAWING IS A CONTROLLED DOCUMENT.

DIMENSIONS: mm	TOLERANCES UNLESS OTHERWISE SPECIFIED: 0 PLC ±0.25 1 PLC ±0.25 2 PLC ±0.15 3 PLC ±0.15 4 PLC ±0.15 ANGLES ±3°
MATERIAL	FINISH

DWN	-
CHK	-
APVD	-
PRODUCT SPEC	-
APPLICATION SPEC	-
WEIGHT	-
CUSTOMER DRAWING	-

STE TE Connectivity

NAME: MULTI I/O 5+4+4 CABLE PLUG KIT

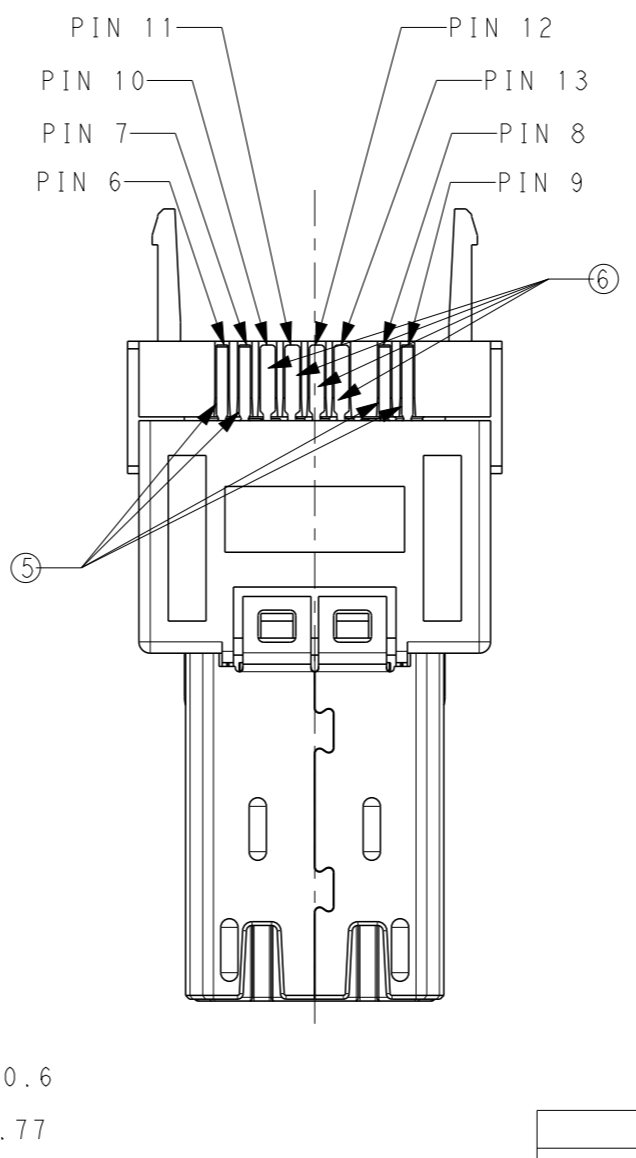
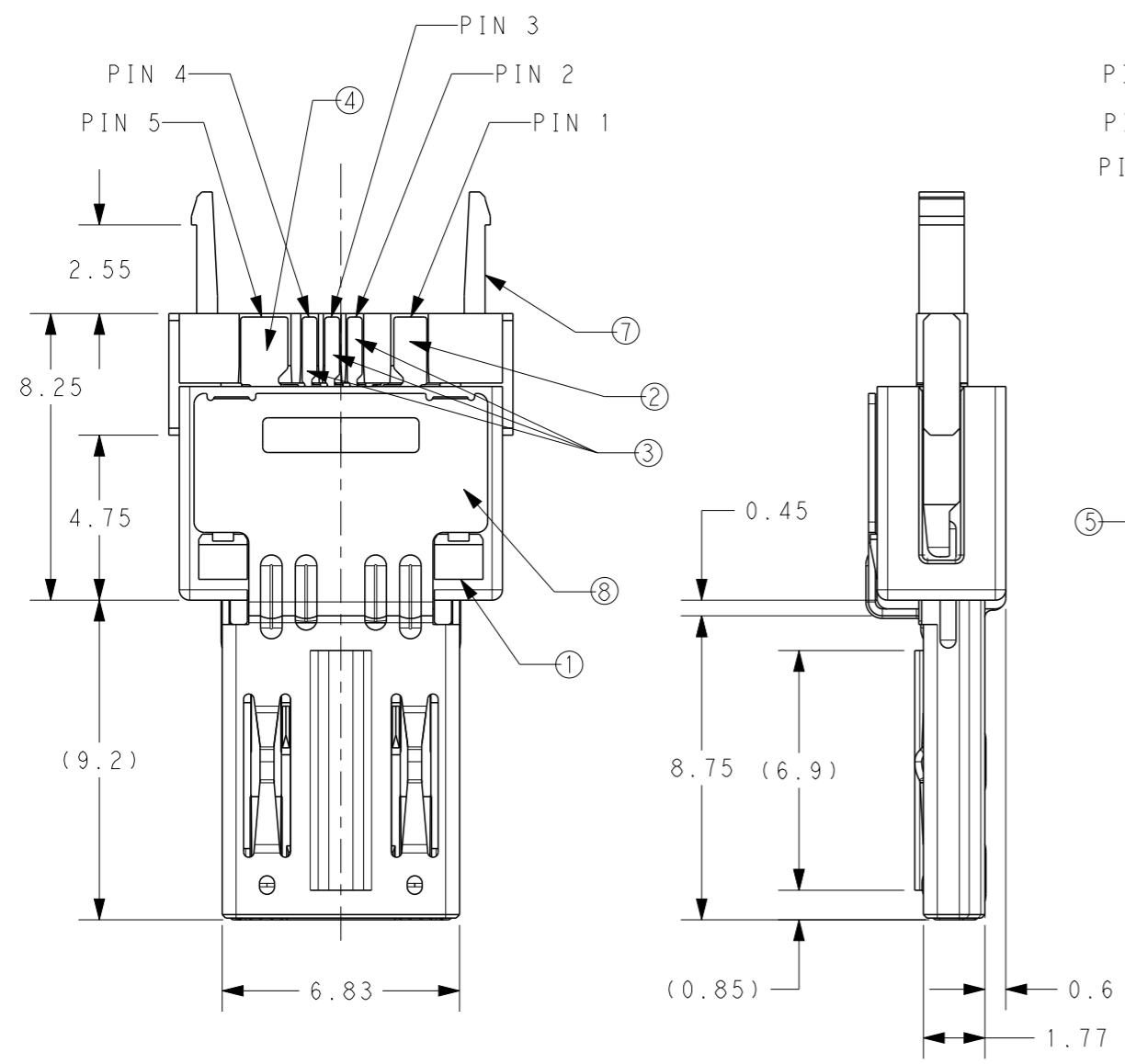
SIZE	CAGE CODE	DRAWING NO	RESTRICTED TO
A3	00779	C-2199225	-

SCALE: 2:1 SHEET: 2 OF 3 REV: 4

THIS DRAWING IS UNPUBLISHED. RELEASED FOR PUBLICATION 20
 © COPYRIGHT 20 BY - ALL RIGHTS RESERVED.

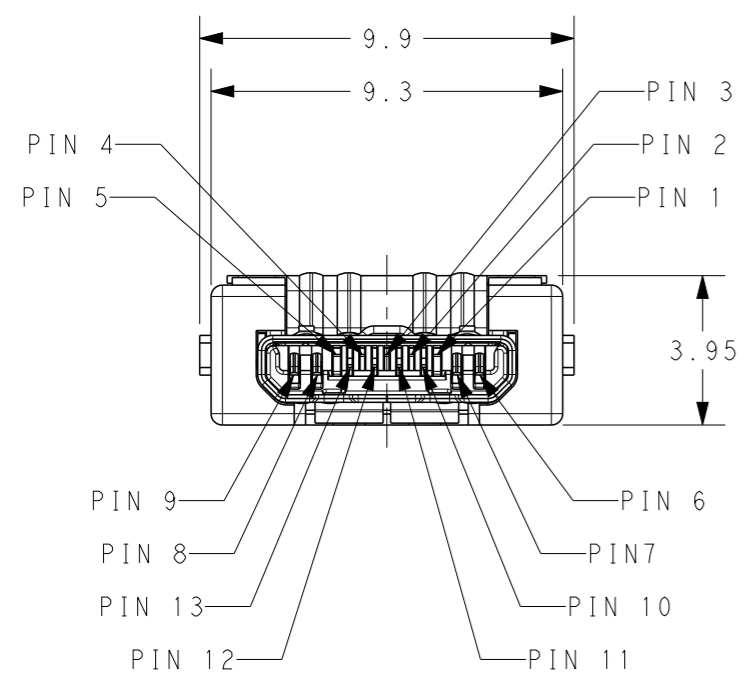
REVISIONS

P	LTR	DESCRIPTION	DATE	DWN	APVD
-	-	SEE SHEET 1	-	-	-



REFERENCE: SEMI ASSEMBLY

3. MATERIAL:
 HOUSING: HIGH TEMPERATURE THERMOPLASTIC, UL94 V-0, COLOR: BLACK.
 USB 2 POWER CONTACT (PIN 1, 5): COPPER ALLOY, THICKNESS=0.2±0.015.
 USB 2 SIGNAL CONTACT (PIN 2-4): COPPER ALLOY, THICKNESS=0.127±0.015.
 USB 3 CONTACT (PIN 6-9): COPPER ALLOY, THICKNESS=0.2±0.015.
 SIGNAL PIN 10-13: COPPER ALLOY THICKNESS=0.127±0.015.
 TINE PLATE: HIGH TEMPERATURE THERMOPLASTIC, UL94 V-0, COLOR: BLACK.
 FOUNT SHELL: STAINLESS STEEL, THICKNESS=0.2±0.015.
 TOP & BOTTOM COVER SHELL: STAINLESS STEEL, THICKNESS=0.3±0.015.
4. FINISH:
 CONTACT: 0.75um[30u"] MIN. GOLD PLATING ON CONTACT AREA AND 2.5um[100u"] MIN. TIN ON SOLDER AREA OVER 1.3um[50u"] MIN. NICKEL UNDER PLATING.
 SHELL: NON-PLATED.



PIN NO.	SIGNAL NAME
13	CONTROL - 4
12	CONTROL - 3
11	CONTROL - 2
10	CONTROL - 1
9	StdA_SSTX+
8	StdA_SSTX-
7	StdA_SSRX+
6	StdA_SSRX-
5	GND-uUSB
4	ID
3	D+
2	D-
1	VBUS

Q'TY	Q'TY	Q'TY	PART NO.	DESCRIPTION	ITEM
1	1	1	2199302-2	BASE SHELL	⑧
1	1	1	2199224-1	TINE PLATE	⑦
4	4	4	2199221-2	CONTACT 10~13	⑥
4	4	4	2199220-2	CONTACT 6~9	⑤
1	1	1	2199218-4	CONTACT 5	④
3	3	3	2199219-2	CONTACT 2, 3, 4	③
1	1	1	2199218-2	CONTACT 1	②
1	1	1	2199217-2	HOUSING	①
			2199217-1		

THIS DRAWING IS A CONTROLLED DOCUMENT.

DIMENSIONS: mm

TOLERANCES UNLESS OTHERWISE SPECIFIED:
 0 PLC ±0.25
 1 PLC ±0.25
 2 PLC ±0.15
 3 PLC ±0.15
 4 PLC ±0.15
 ANGLES ±3°

MATERIAL: - FINISH: -

STE TE Connectivity

NAME: MULTI I/O 5+4+4 CABLE PLUG KIT

SIZE: A3 CAGE CODE: 300779 DRAWING NO: 2199225

CUSTOMER DRAWING SCALE: 2:1 SHEET: 3 OF 3 REV: 4

Mouser Electronics

Authorized Distributor

Click to View Pricing, Inventory, Delivery & Lifecycle Information:

[TE Connectivity:](#)

[1-2199225-1](#)