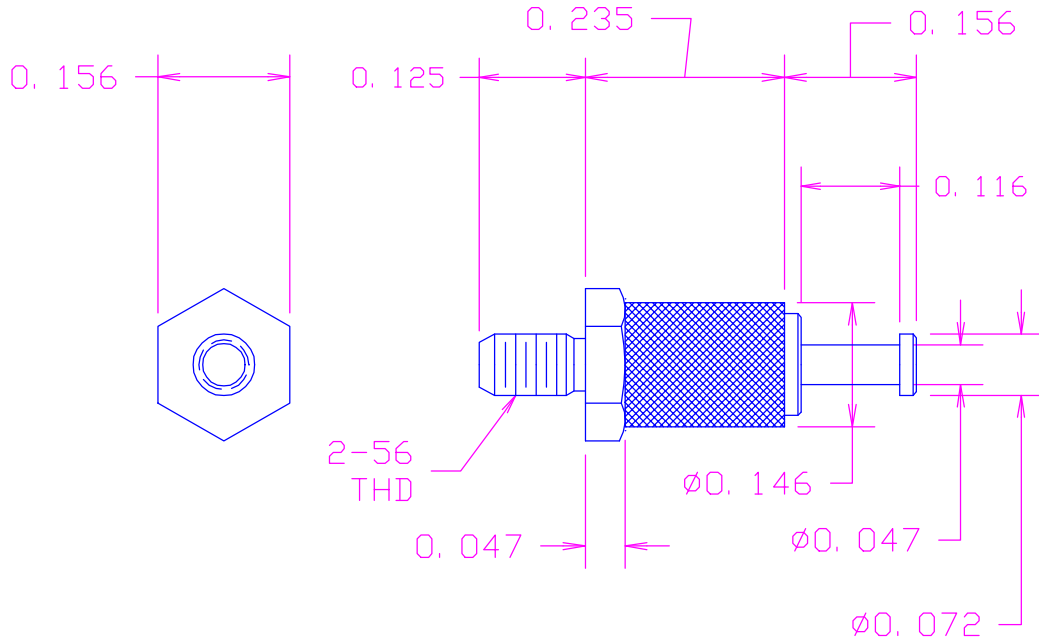


DATE	SYM	REVISION RECORD	AUTH.	DR.	CK.
12/15/00	-	ISSUED		NT	DG



COLOR CODE (XX):
 10- BLACK
 11- BROWN
 12- RED
 13- ORANGE
 14- YELLOW
 15- GREEN
 16- BLUE (STANDARD)
 17- VIOLET
 18- GRAY
 19- WHITE

MATERIAL: PIN AND BASE- BRASS PER ASTM B16,
 ALLOY C 36000, 1/2 HARD
 INSULATION- MOLDED DIALYL PHTHALATE,
 SDGF, COLOR (XX)- SEE COLOR CODE
 FINISH: PIN- .0003"MIN. ELECTRO-SOLDER PER
 MIL-P-81728, OVER .0001"MIN. COPPER
 BASE- .0001"MIN. ZINC WITH YELLOW CHROMATE

ACTUAL SIZE



TOLERANCES (EXCEPT AS NOTED)	CONCORD ELECTRONICS CORPORATION		
DECIMAL $\pm .010$	P/N	SCALE	30 GREAT JONES ST. NEW YORK N. Y. 10012
FRACTIONAL $\pm 1/64$	TITLE TERMINAL		
ANGULAR $\pm 5^\circ$	DATE 12/15/00	DRAWING NUMBER 1127-56-05XX	