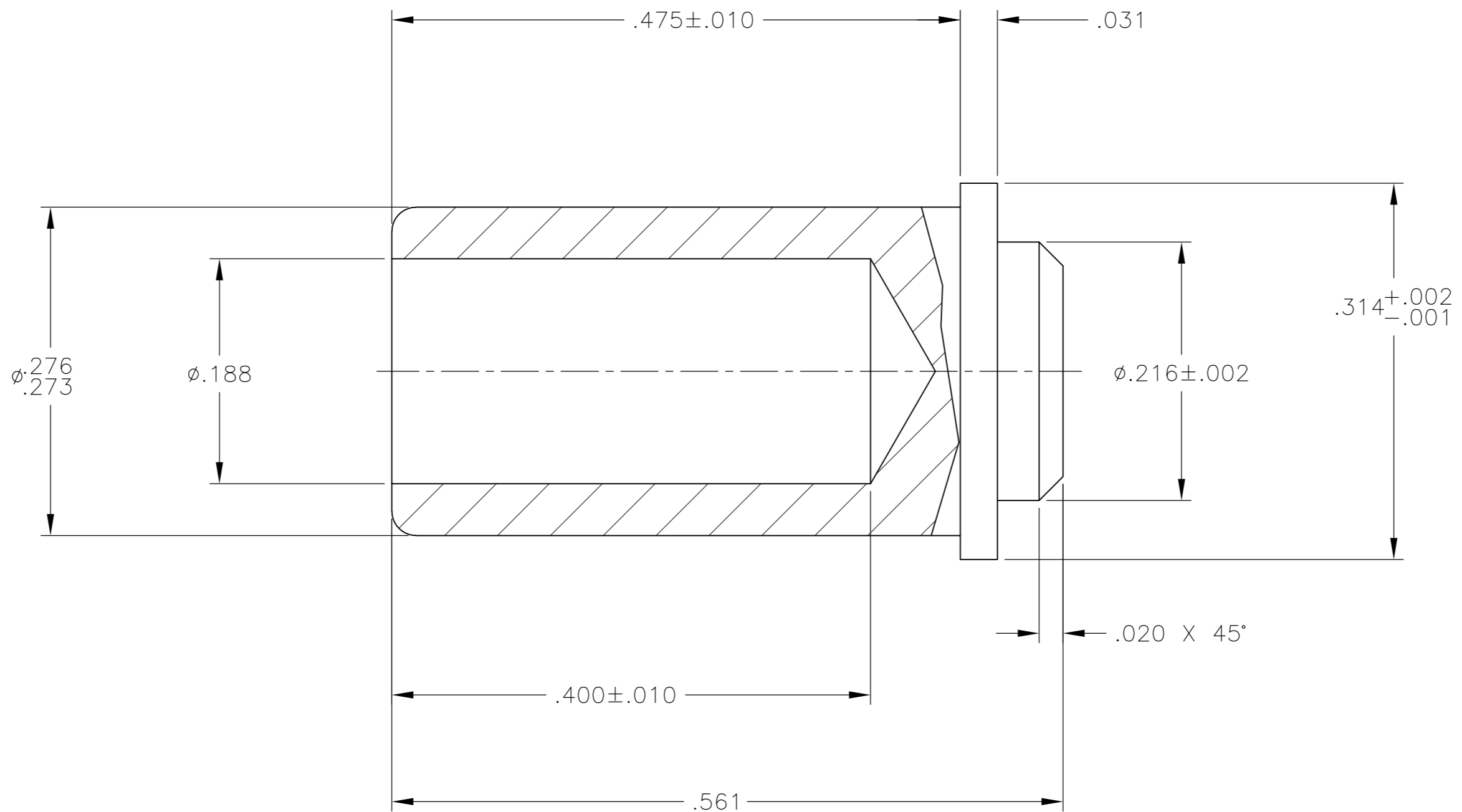


THIS DRAWING IS UNPUBLISHED. RELEASED FOR PUBLICATION
 © COPYRIGHT - By - ALL RIGHTS RESERVED.

LOC		DIST		REVISIONS			
P	LTR	DESCRIPTION		DATE	DWN	APVD	
-	-	A	RELEASED	8-7-14	CT	WM	



1663588-1
 PART NO.

THIS DRAWING IS A CONTROLLED DOCUMENT.		DWN	C.C.THOMAS	8-7-14		TE Connectivity		
DIMENSIONS: INCHES		CHK	W.MOYER	8-7-14		NAME		
TOLERANCES UNLESS OTHERWISE SPECIFIED:		APVD	W.MOYER	8-7-14		FILLER PLUG, PIN, SIZE 8, RR/RR, ARINC 600		
0 PLC ± - 1 PLC ± - 2 PLC ± - 3 PLC ± .002 4 PLC ± - ANGLES ± 2°		PRODUCT SPEC				SIZE	CAGE CODE	DRAWING NO
MATERIAL		FINISH	WEIGHT	A2 00779		C=1663588		
2024 ALUMINUM		ELECTROLESS NICKEL	-	CUSTOMER DRAWING		SCALE	SHEET	
				5:1	1 of 1	REV	A	

1663588

Mouser Electronics

Authorized Distributor

Click to View Pricing, Inventory, Delivery & Lifecycle Information:

[TE Connectivity:](#)

[1663588-1](#)