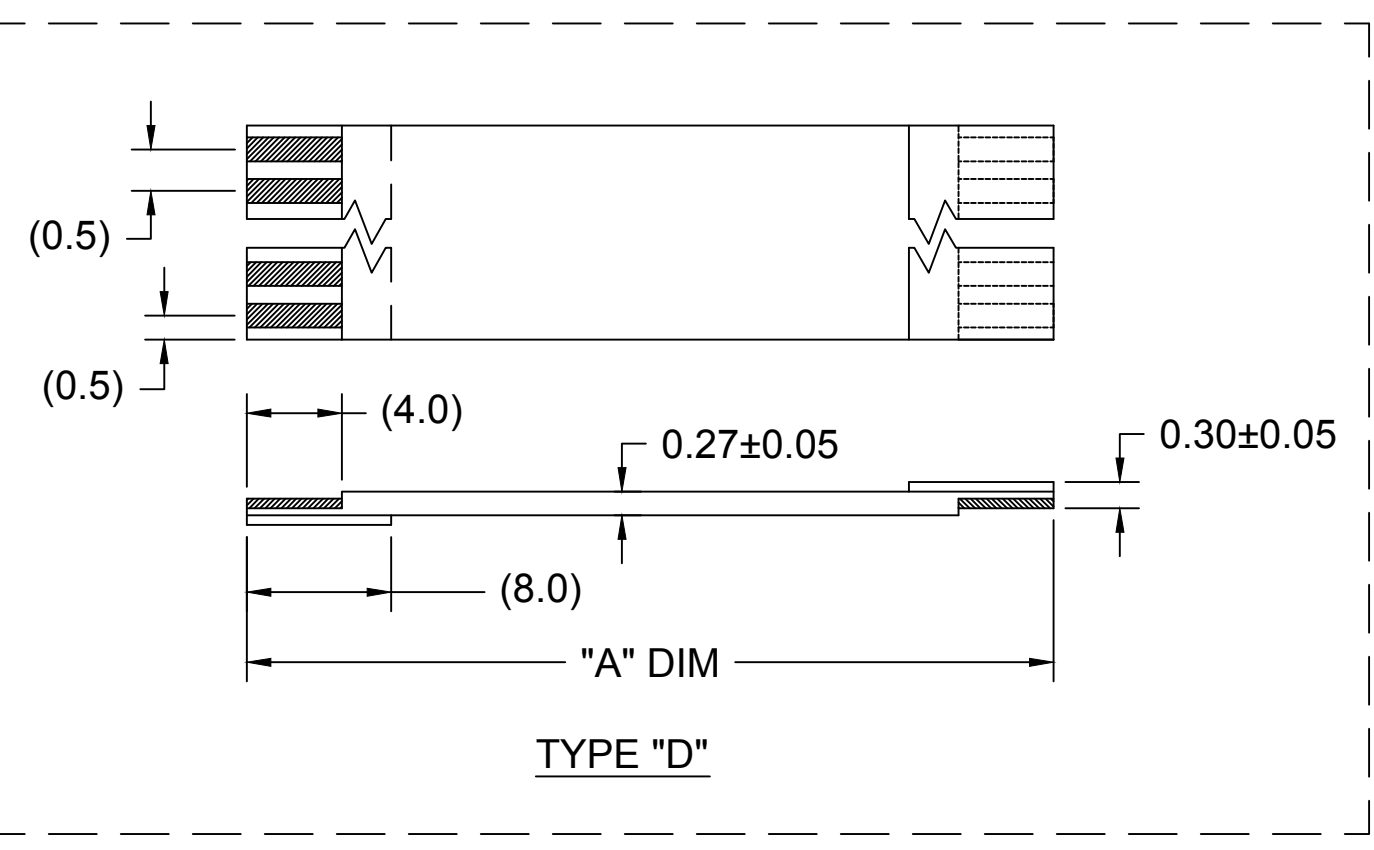
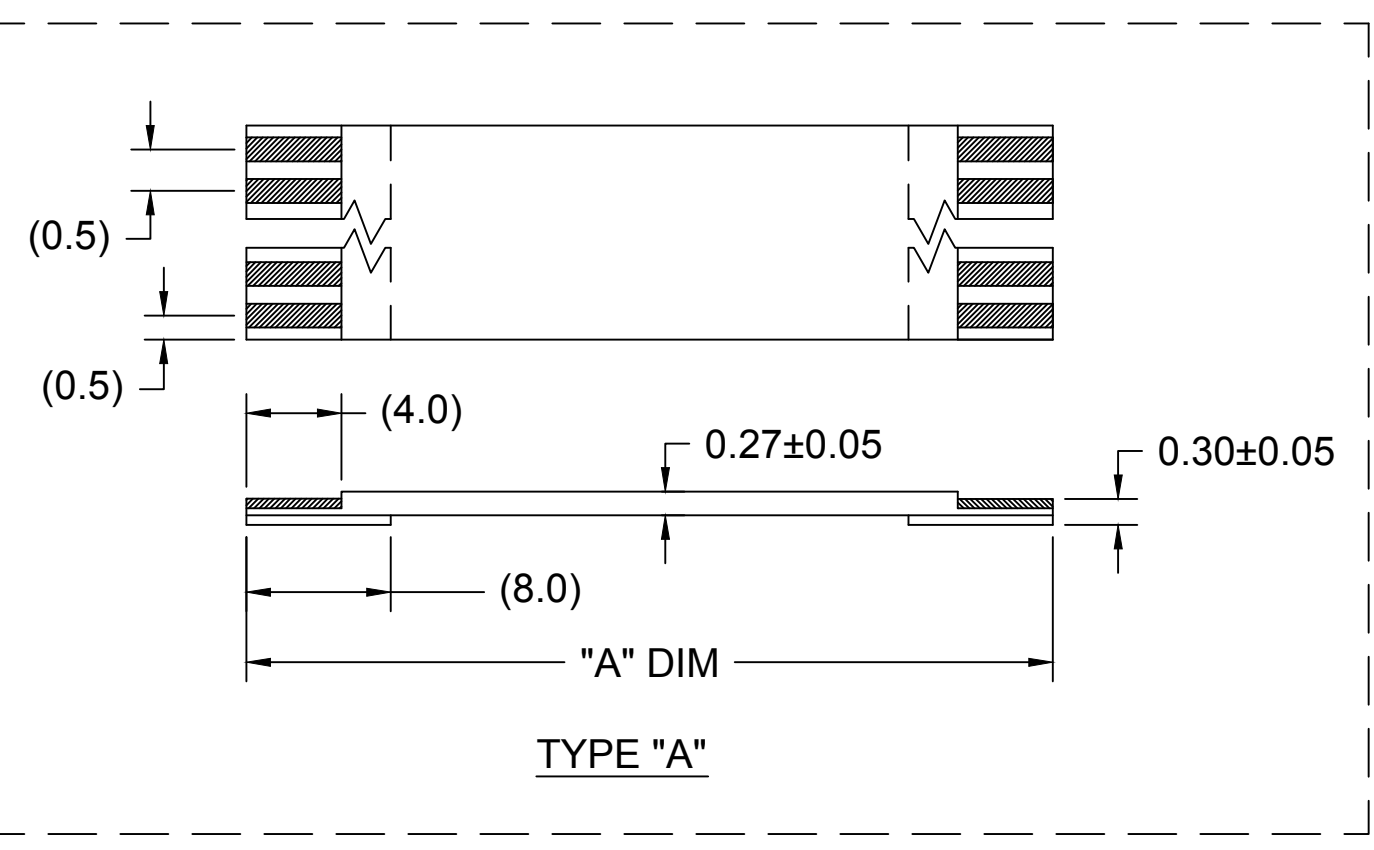


0.50MM CENTER FFC JUMPER CABLE (HIGH TEMPERATURE) CHART

"A" DIM.	1.18 ± .079 INCHES 30 ± 2.00		2 ± .079 INCHES 51 ± 2.00 MM		3 ± .118 INCHES 76 ± 3.00 MM		4 ± .118 INCHES 102 ± 3.00 MM		5 ± .157 INCHES 127 ± 4.00 MM		6 ± .157 INCHES 152 ± 4.00 MM		7 ± .157 INCHES 178 ± 4.00 MM		8 ± .157 INCHES 203 ± 4.00 MM		9 ± .197 INCHES 229 ± 5.00 MM		10 ± .197 INCHES 254 ± 5.00 MM		12 ± .197 INCHES 305 ± 5.00 MM	
STIFFENER	TYPE "A"	TYPE "D"	TYPE "A"	TYPE "D"	TYPE "A"	TYPE "D"	TYPE "A"	TYPE "D"	TYPE "A"	TYPE "D"	TYPE "A"	TYPE "D"	TYPE "A"	TYPE "D"	TYPE "A"	TYPE "D"	TYPE "A"	TYPE "D"	TYPE "A"	TYPE "D"	TYPE "A"	TYPE "D"
CKTS: 6	152660051	152660052	152660053	152660054	152660055	152660056	152660057	152660058	152660059	152660060	152660061	152660062	152660063	152660064	152660065	152660066	152660067	152660068	152660069	152660070	152660071	152660072
CKTS: 8	152660073	152660074	152660075	152660076	152660077	152660078	152660079	152660080	152660081	152660082	152660083	152660084	152660085	152660086	152660087	152660088	152660089	152660090	152660091	152660092	152660093	152660094
CKTS: 10	152660095	152660096	152660097	152660098	152660099	152660100	152660101	152660102	152660103	152660104	152660105	152660106	152660107	152660108	152660109	152660110	152660111	152660112	152660113	152660114	152660115	152660116
CKTS: 12	152660117	152660118	152660119	152660120	152660121	152660122	152660123	152660124	152660125	152660126	152660127	152660128	152660129	152660130	152660131	152660132	152660133	152660134	152660135	152660136	152660137	152660138
CKTS: 14	152660139	152660140	152660141	152660142	152660143	152660144	152660145	152660146	152660147	152660148	152660149	152660150	152660151	152660152	152660153	152660154	152660155	152660156	152660157	152660158	152660159	152660160
CKTS: 16	152660161	152660162	152660163	152660164	152660165	152660166	152660167	152660168	152660169	152660170	152660171	152660172	152660173	152660174	152660175	152660176	152660177	152660178	152660179	152660180	152660181	152660182
CKTS: 18	152660183	152660184	152660185	152660186	152660187	152660188	152660189	152660190	152660191	152660192	152660193	152660194	152660195	152660196	152660197	152660198	152660199	152660200	152660201	152660202	152660203	152660204
CKTS: 20	152660205	152660206	152660207	152660208	152660209	152660210	152660211	152660212	152660213	152660214	152660215	152660216	152660217	152660218	152660219	152660220	152660221	152660222	152660223	152660224	152660225	152660226
CKTS: 22	152660227	152660228	152660229	152660230	152660231	152660232	152660233	152660234	152660235	152660236	152660237	152660238	152660239	152660240	152660241	152660242	152660243	152660244	152660245	152660246	152660247	152660248
CKTS: 24	152660249	152660250	152660251	152660252	152660253	152660254	152660255	152660256	152660257	152660258	152660259	152660260	152660261	152660262	152660263	152660264	152660265	152660266	152660267	152660268	152660269	152660270
CKTS: 26	152660271	152660272	152660273	152660274	152660275	152660276	152660277	152660278	152660279	152660280	152660281	152660282	152660283	152660284	152660285	152660286	152660287	152660288	152660289	152660290	152660291	152660292
CKTS: 28	152660293	152660294	152660295	152660296	152660297	152660298	152660299	152660300	152660301	152660302	152660303	152660304	152660305	152660306	152660307	152660308	152660309	152660310	152660311	152660312	152660313	152660314
CKTS: 30	152660315	152660316	152660317	152660318	152660319	152660320	152660321	152660322	152660323	152660324	152660325	152660326	152660327	152660328	152660329	152660330	152660331	152660332	152660333	152660334	152660335	152660336
CKTS: 32	152660337	152660338	152660339	152660340	152660341	152660342	152660343	152660344	152660345	152660346	152660347	152660348	152660349	152660350	152660351	152660352	152660353	152660354	152660355	152660356	152660357	152660358
CKTS: 34	152660359	152660360	152660361	152660362	152660363	152660364	152660365	152660366	152660367	152660368	152660369	152660370	152660371	152660372	152660373	152660374	152660375	152660376	152660377	152660378	152660379	152660380
CKTS: 36	152660381	152660382	152660383	152660384	152660385	152660386	152660387	152660388	152660389	152660390	152660391	152660392	152660393	152660394	152660395	152660396	152660397	152660398	152660399	152660400	152660401	152660402
CKTS: 38	152660403	152660404	152660405	152660406	152660407	152660408	152660409	152660410	152660411	152660412	152660413	152660414	152660415	152660416	152660417	152660418	152660419	152660420	152660421	152660422	152660423	152660424
CKTS: 40	152660425	152660426	152660427	152660428	152660429	152660430	152660431	152660432	152660433	152660434	152660435	152660436	152660437	152660438	152660439	152660440	152660441	152660442	152660443	152660444	152660445	152660446
CKTS: 42	152660447	152660448	152660449	152660450	152660451	152660452	152660453	152660454	152660455	152660456	152660457	152660458	152660459	152660460	152660461	152660462	152660463	152660464	152660465	152660466	152660467	152660468
CKTS: 44	152660469	152660470	152660471	152660472	152660473	152660474	152660475	152660476	152660477	152660478	152660479	152660480	152660481	152660482	152660483	152660484	152660485	152660486	152660487	152660488	152660489	152660490
CKTS: 46	152660491	152660492	152660493	152660494	152660495	152660496	152660497	152660498	152660499	152660500	152660501	152660502	152660503	152660504	152660505	152660506	152660507	152660508	152660509	152660510	152660511	152660512
CKTS: 48	152660513	152660514	152660515	152660516	152660517	152660518	152660519	152660520	152660521	152660522	152660523	152660524	152660525	152660526	152660527	152660528	152660529	152660530	152660531	152660532	152660533	152660534
CKTS: 50	152660535	152660536	152660537	152660538	152660539	152660540	152660541	152660542	152660543	152660544	152660545	152660546	152660547	152660548	152660549	152660550	152660551	152660552	152660553	152660554	152660555	152660556

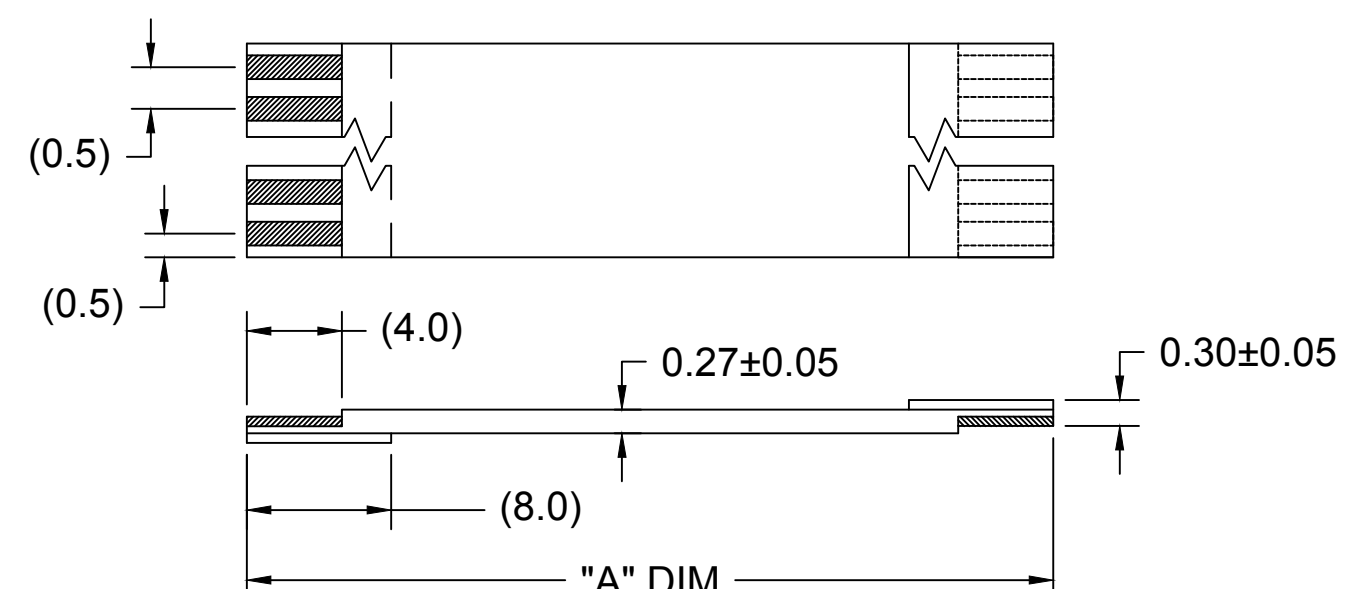
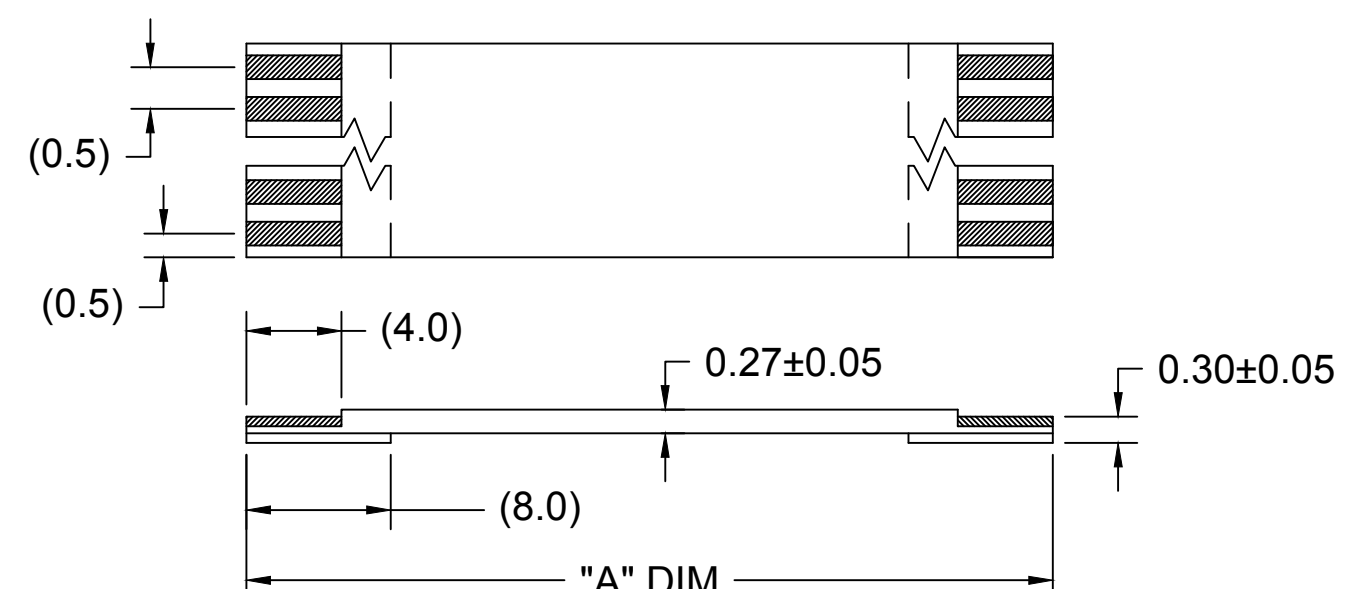


NOTES:
 1. NO PRINTING ON JUMPER CABLE UNLESS OTHERWISE SPECIFIED. IF PRINTING IS REQUIRED, THEN IT WOULD BE CONSIDERED A SPECIAL JUMPER CABLE.

SHOW CONTINUOUS INSULATION FOR TAILS EC NO: USW2014-0256 DRWN: MFI 2014/05/07 3	QUALITY SYMBOL ▽=0 ▽=0	GENERAL TOLERANCES (UNLESS SPECIFIED) <table border="1" style="width: 100%; border-collapse: collapse;"> <tr> <th></th> <th>mm</th> <th>INCH</th> </tr> <tr> <td>4 PLACES</td> <td>±---</td> <td>±---</td> </tr> <tr> <td>3 PLACES</td> <td>±---</td> <td>±---</td> </tr> <tr> <td>2 PLACES</td> <td>±---</td> <td>±---</td> </tr> <tr> <td>1 PLACE</td> <td>±---</td> <td>±---</td> </tr> </table>		mm	INCH	4 PLACES	±---	±---	3 PLACES	±---	±---	2 PLACES	±---	±---	1 PLACE	±---	±---	DIMENSION STYLE MM	SCALE ---	DESIGN UNITS METRIC	THIRD ANGLE PROJECTION
		mm	INCH																		
	4 PLACES	±---	±---																		
	3 PLACES	±---	±---																		
	2 PLACES	±---	±---																		
1 PLACE	±---	±---																			
		DRAWN BY: _____ DATE: _____ CHECKED BY: _____ DATE: _____		TITLE 0.50MM CENTER FFC JUMPER CABLE																	
		APPROVED BY: DRASMUSS DATE: 2010/11/17		MOLEX INCORPORATED																	
		DRAFT WHERE APPLICABLE MUST REMAIN WITHIN DIMENSIONS		MATERIAL NO. SEE CHART		DOCUMENT NO. SD-15266-001															
		SIZE C		THIS DRAWING CONTAINS INFORMATION THAT IS PROPRIETARY TO MOLEX INCORPORATED AND SHOULD NOT BE USED WITHOUT WRITTEN PERMISSION																	

0.50MM CENTER FFC JUMPER CABLE (HIGH TEMPERATURE) CHART

"A" DIM.	1.18 ± .079 INCHES 30 ± 2.00		2 ± .079 INCHES 51 ± 2.00 MM		3 ± .118 INCHES 76 ± 3.00 MM		4 ± .118 INCHES 102 ± 3.00 MM		5 ± .157 INCHES 127 ± 4.00 MM		6 ± .157 INCHES 152 ± 4.00 MM		7 ± .157 INCHES 178 ± 4.00 MM		8 ± .157 INCHES 203 ± 4.00 MM		9 ± .197 INCHES 229 ± 5.00 MM		10 ± .197 INCHES 254 ± 5.00 MM		12 ± .197 INCHES 305 ± 5.00 MM	
STIFFENER	TYPE "A"	TYPE "D"	TYPE "A"	TYPE "D"	TYPE "A"	TYPE "D"	TYPE "A"	TYPE "D"	TYPE "A"	TYPE "D"	TYPE "A"	TYPE "D"	TYPE "A"	TYPE "D"	TYPE "A"	TYPE "D"	TYPE "A"	TYPE "D"	TYPE "A"	TYPE "D"	TYPE "A"	TYPE "D"
CKTS: 7	152660745	152660744	152660747	152660746	152660749	152660748	152660751	152660750	152660753	152660752	152660755	152660754	152660757	152660756	152660759	152660758	152660761	152660760	152660763	152660762	152660765	152660764
CKTS: 9	152660767	152660766	152660769	152660768	152660771	152660770	152660773	152660772	152660775	152660774	152660777	152660776	152660779	152660778	152660781	152660780	152660783	152660782	152660785	152660784	152660787	152660786
CKTS: 11	152660789	152660788	152660791	152660790	152660793	152660792	152660795	152660794	152660797	152660796	152660799	152660798	152660801	152660800	152660803	152660802	152660805	152660804	152660807	152660806	152660809	152660808
CKTS: 13	152660811	152660810	152660813	152660812	152660815	152660814	152660817	152660816	152660819	152660818	152660821	152660820	152660823	152660822	152660825	152660824	152660827	152660826	152660829	152660828	152660831	152660830
CKTS: 15	152660833	152660832	152660835	152660834	152660837	152660836	152660839	152660838	152660841	152660840	152660843	152660842	152660845	152660844	152660847	152660846	152660849	152660848	152660851	152660850	152660853	152660852
CKTS: 17	152660855	152660854	152660857	152660856	152660859	152660858	152660861	152660860	152660863	152660862	152660865	152660864	152660867	152660866	152660869	152660868	152660871	152660870	152660873	152660872	152660875	152660874
CKTS: 19	152660877	152660876	152660879	152660878	152660881	152660880	152660883	152660882	152660885	152660884	152660887	152660886	152660889	152660888	152660891	152660890	152660893	152660892	152660895	152660894	152660897	152660896
CKTS: 21	152660899	152660898	152660901	152660900	152660903	152660902	152660905	152660904	152660907	152660906	152660909	152660908	152660911	152660910	152660913	152660912	152660915	152660914	152660917	152660916	152660919	152660918
CKTS: 23	152660921	152660920	152660923	152660922	152660925	152660924	152660927	152660926	152660929	152660928	152660931	152660930	152660933	152660932	152660935	152660934	152660937	152660936	152660939	152660938	152660941	152660940
CKTS: 25	152660943	152660942	152660945	152660944	152660947	152660946	152660949	152660948	152660951	152660950	152660953	152660952	152660955	152660954	152660957	152660956	152660959	152660958	152660961	152660960	152660963	152660962
CKTS: 27	152660965	152660964	152660967	152660966	152660969	152660968	152660971	152660970	152660973	152660972	152660975	152660974	152660977	152660976	152660979	152660978	152660981	152660980	152660983	152660982	152660985	152660984
CKTS: 29	152660987	152660986	152660989	152660988	152660991	152660990	152660993	152660992	152660995	152660994	152660997	152660996	152660999	152660998	152661001	152661000	152661003	152661002	152661005	152661004	152661007	152661006
CKTS: 31	152661009	152661008	152661011	152661010	152661013	152661012	152661015	152661014	152661017	152661016	152661019	152661018	152661021	152661020	152661023	152661022	152661025	152661024	152661027	152661026	152661029	152661028
CKTS: 33	152661031	152661030	152661033	152661032	152661035	152661034	152661037	152661036	152661039	152661038	152661041	152661040	152661043	152661042	152661045	152661044	152661047	152661046	152661049	152661048	152661051	152661050
CKTS: 35	152661053	152661052	152661055	152661054	152661057	152661056	152661059	152661058	152661061	152661060	152661063	152661062	152661065	152661064	152661067	152661066	152661069	152661068	152661071	152661070	152661073	152661072
CKTS: 37	152661075	152661074	152661077	152661076	152661079	152661078	152661081	152661080	982331083	152661082	152661085	152661084	152661087	152661086	152661089	152661088	152661091	152661090	152661093	152661092	152661095	152661094
CKTS: 39	152661097	152661096	152661099	152661098	152661101	152661100	152661103	152661102	152661105	152661104	152661107	152661106	152661109	152661108	152661111	152661110	152661113	152661112	152661115	152661114	152661117	152661116
CKTS: 41	152661119	152661118	152661121	152661120	152661123	152661122	152661125	152661124	152661127	152661126	152661129	152661128	152661131	152661130	152661133	152661132	152661135	152661134	152661137	152661136	152661139	152661138
CKTS: 43	152661141	152661140	152661143	152661142	152661145	152661144	152661147	152661146	152661149	152661148	152661151	152661150	152661153	152661152	152661155	152661154	152661157	152661156	152661159	152661158	152661161	152661160
CKTS: 45	152661163	152661162	152661165	152661164	152661167	152661166	152661169	152661168	152661171	152661170	152661173	152661172	152661175	152661174	152661177	152661176	152661179	152661178	152661181	152661180	152661183	152661182
CKTS: 47	152661185	152661184	152661187	152661186	152661189	152661188	152661191	152661190	152661193	152661192	152661195	152661194	152661197	152661196	152661199	152661198	15266201	152661200	152661203	152661202	152661205	152661204
CKTS: 49	152661207	152661206	152661209	152661208	152661211	152661210	152661213	152661212	152661215	152661214	152661217	152661216	152661219	152661218	152661221	152661220	152661223	152661222	152661225	152661224	152661227	152661226



NOTES:
 1. NO PRINTING ON JUMPER CABLE UNLESS OTHERWISE SPECIFIED. IF PRINTING IS REQUIRED, THEN IT WOULD BE CONSIDERED A SPECIAL JUMPER CABLE.

SEE SHEET 1	EC NO: DRWN: 3	REV	DESCRIPTION	QUALITY SYMBOL	GENERAL TOLERANCES (UNLESS SPECIFIED)	DIMENSION STYLE	SCALE	DESIGN UNITS	THIRD ANGLE PROJECTION
				▽=0	mm INCH	MM	---	METRIC	0.50MM CENTER FFC JUMPER CABLE
				▽C=0	4 PLACES ±--- ±---	DRAWN BY DATE	TITLE		
					3 PLACES ±--- ±---	CHECKED BY DATE			
	2 PLACES ±--- ±---	APPROVED BY DATE			MOLEX INCORPORATED				
	1 PLACE ±--- ±---	DRASMUSS 2010/11/17							
				ANGULAR ±1/2°	MATERIAL NO.	DOCUMENT NO.			SHEET NO.
				DRAFT WHERE APPLICABLE MUST REMAIN WITHIN DIMENSIONS	SEE CHART	SD-15266-001			2 OF 2
					SIZE C	THIS DRAWING CONTAINS INFORMATION THAT IS PROPRIETARY TO MOLEX INCORPORATED AND SHOULD NOT BE USED WITHOUT WRITTEN PERMISSION			

Mouser Electronics

Authorized Distributor

Click to View Pricing, Inventory, Delivery & Lifecycle Information:

[Molex:](#)

[15266-0890](#)