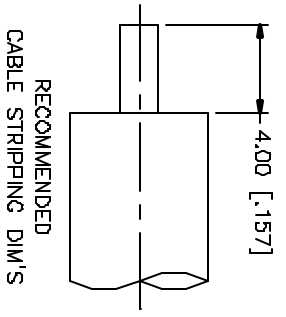
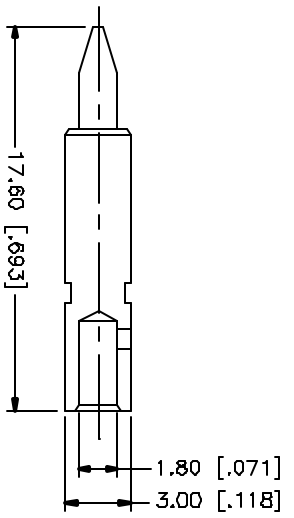
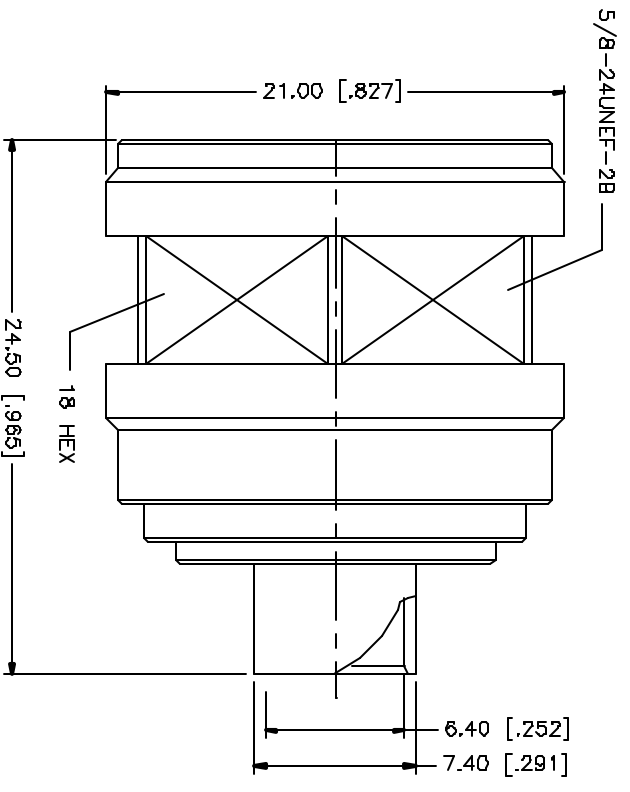


REV.	DATE	DESCRIPTION
NC	03/27/05	INITIAL RELEASE



NOTE:
 1. CRIMPED CONTACT PIN
 HEX CRIMP SIZE .100"
 OR SOLDER

REV	DESCRIPTION	MATERIAL	FINISH	QTY	UNIT PRICE	TOTAL PRICE
B						
7						
6						
5						
4	CONTACT PIN	BRASS	GOLD	1		
3	INSULATOR	TEFLON	NATURAL	1		
2	BARREL	BRASS	GOLD	1		
1	BODY	BRASS	NEXCOTE	1		
	DESCRIPTION	MATERIAL	FINISH	QTY		

UNLESS OTHERWISE SPECIFIED, DIMENSIONS ARE IN MILLIMETERS. DIMENSIONS IN [] ARE IN INCHES AND FOR CLARITY ONLY.	
DIMENSIONS FOR MILLIMETER ARE TOLERANCED PER MIL-STD-1916.	
DIMENSIONS FOR INCHES ARE TOLERANCED PER ASME Y14.5.	
UNLESS OTHERWISE SPECIFIED, DIMENSIONS ARE IN MILLIMETERS. DIMENSIONS IN [] ARE IN INCHES AND FOR CLARITY ONLY.	
DIMENSIONS FOR MILLIMETER ARE TOLERANCED PER MIL-STD-1916.	
DIMENSIONS FOR INCHES ARE TOLERANCED PER ASME Y14.5.	
UNLESS OTHERWISE SPECIFIED, DIMENSIONS ARE IN MILLIMETERS. DIMENSIONS IN [] ARE IN INCHES AND FOR CLARITY ONLY.	
DIMENSIONS FOR MILLIMETER ARE TOLERANCED PER MIL-STD-1916.	
DIMENSIONS FOR INCHES ARE TOLERANCED PER ASME Y14.5.	

APPROVALS	DATE
DRAWN G.R.S.	03/27/05
CHECKED	
ISSUED	
SHEET 1 OF 1	

PART DESCRIPTION N DIRECT SOLDER PLUG (.250" SEMI-RIGID CABLE)	PART NO. 172139-11
--	------------------------------

DWG. NO. 172139-11.DWG	REV. NO. NC	SIZE A	SCALE NA
----------------------------------	-----------------------	------------------	--------------------

Mouser Electronics

Authorized Distributor

Click to View Pricing, Inventory, Delivery & Lifecycle Information:

[Amphenol:](#)

[172139-11](#)