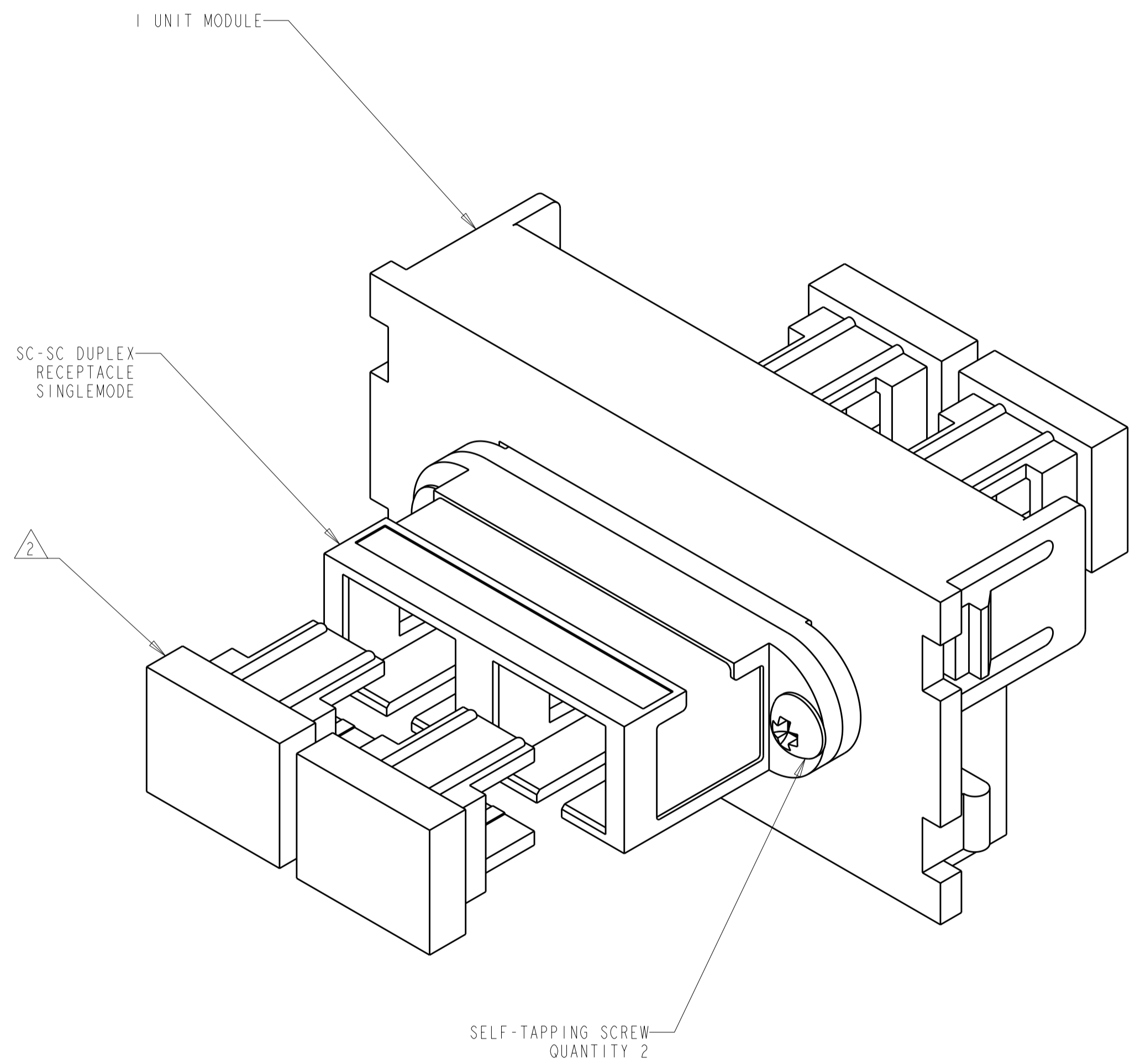


THIS DRAWING IS UNPUBLISHED. RELEASED FOR PUBLICATION
 © COPYRIGHT 20 BY TYCO ELECTRONICS CORPORATION. ALL INTERNATIONAL RIGHTS RESERVED.

LOC	DIST	REVISIONS			
P	LTR	DESCRIPTION	DATE	DWN	APVD
		A	REV; EC 0B40-0299-02	11NOV02	GG GB
		B	REV; ECO-10-000477	08JAN2010	GG BM



- 1 MATERIAL: MODULE - ABS MOLDING COMPOUND, 94V-0 RATED.
 RECEPTACLE - PPE MOLDING COMPOUND, 94V-0 RATED, BLUE.
 DUST COVERS - THERMOPLASTIC RUBBER, BLACK.
 SCREWS - ZINC PLATED CARBON STEEL.
- 2 DUST COVERS SHIPPED ASSEMBLED.

ELECTRIC IVORY	1-1375306-1
NEMA GRAY	1375306-4
WHITE	1375306-3
BLACK	1375306-2
LIGHT ALMOND	1375306-1
COLOR	PART NUMBER

<small>THIS DRAWING IS A CONTROLLED DOCUMENT FOR TYCO ELECTRONICS CORPORATION. IT IS SUBJECT TO CHANGE AND THE CONTROLLING ENGINEERING ORGANIZATION SHOULD BE CONTACTED FOR THE LATEST REVISION.</small>		DWN G. GARRETT 10NOV00 CHK G. BOWMAN 10NOV00 APVD G. BOWMAN 10NOV00	Tyco Electronics AMP Incorporated Harrisburg, PA 17105-3608
DIMENSIONS: mm [INCHES]	TOLERANCES UNLESS OTHERWISE SPECIFIED: 0 PLC ± 1 PLC ± 2 PLC ± 3 PLC ± 4 PLC ± ANGLES ± FINISH	PRODUCT SPEC APPLICATION SPEC WEIGHT	NAME MODULE ASSEMBLY, SC-SC DUPLEX RCPT, SINGLEMODE, 1 UNIT, SL SERIES
MATERIAL		CUSTOMER DRAWING	SIZE A2 CAGE CODE 00779 DRAWING NO. 1375306 RESTRICTED TO
		SCALE 2:1	SHEET 1 OF 1 REV B