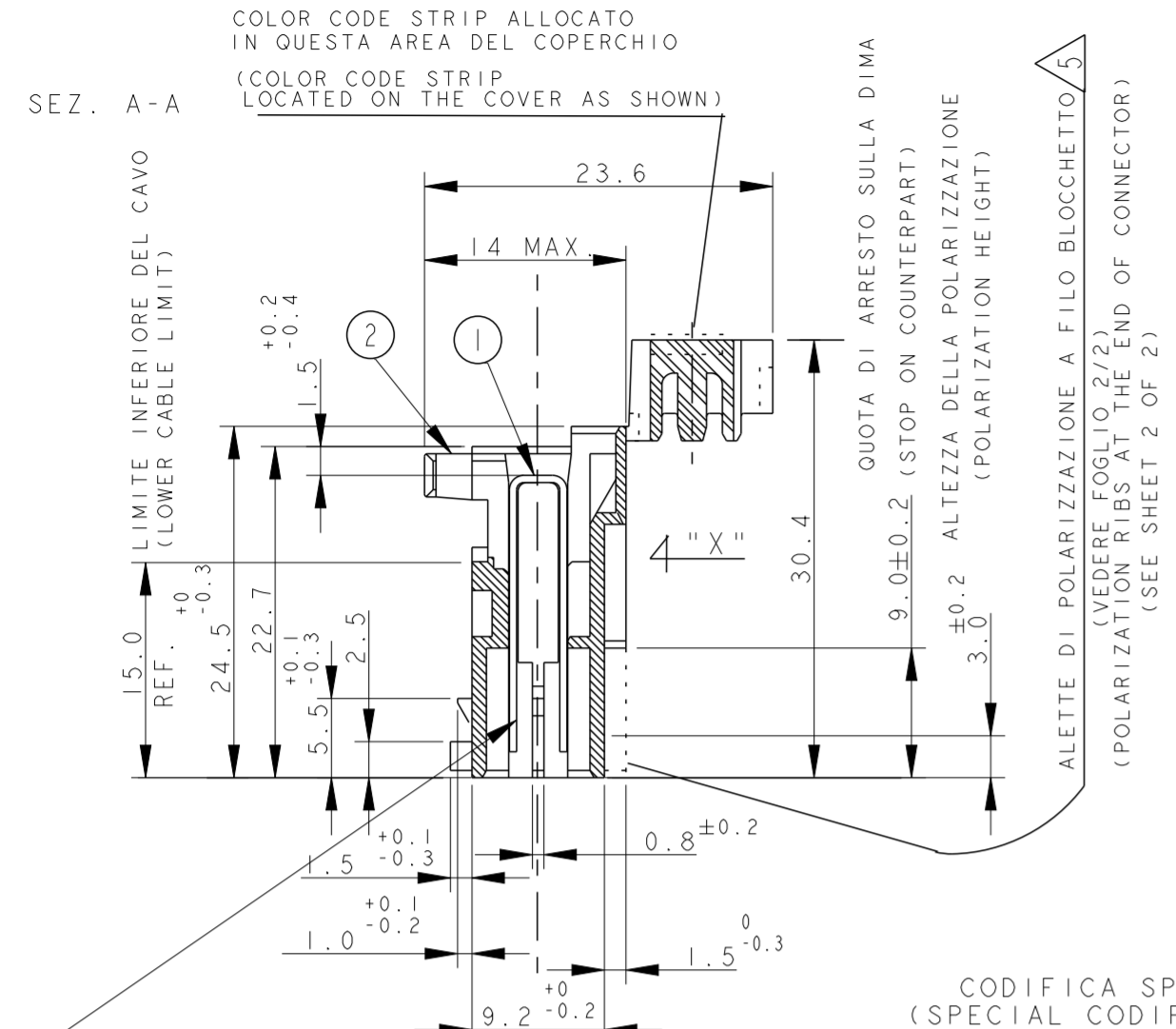
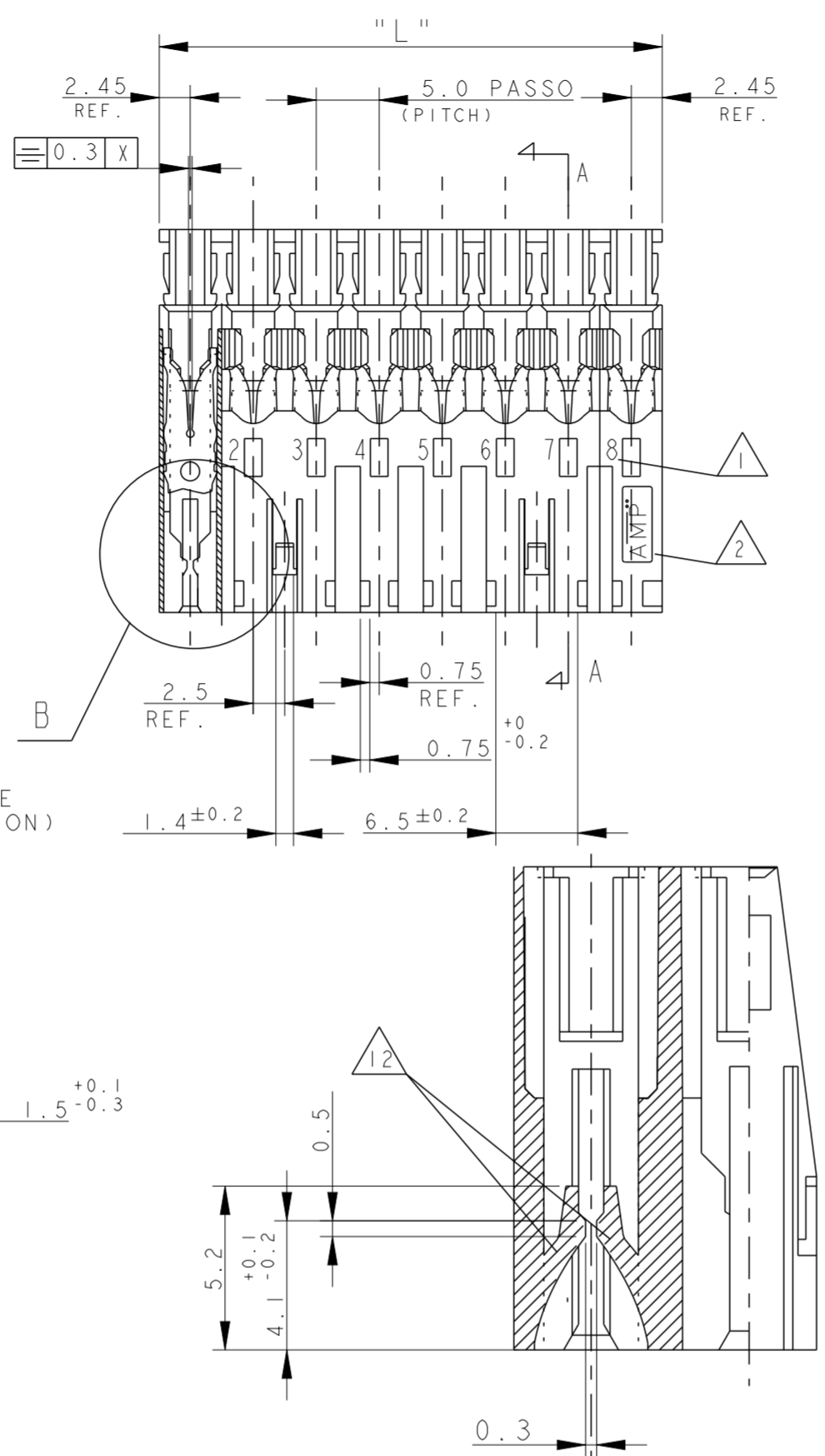


THIS DRAWING IS UNPUBLISHED. RELEASED FOR PUBLICATION
 © COPYRIGHT 2011 ALL RIGHTS RESERVED.

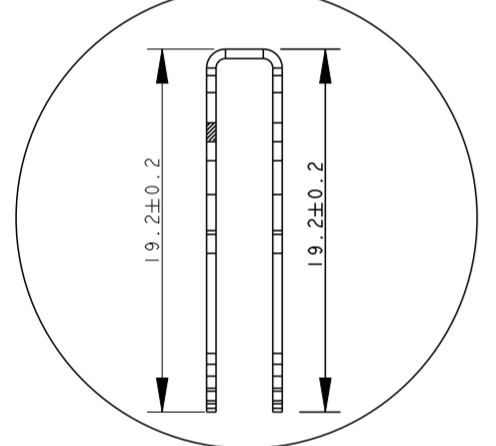
LOC		DIST		REVISIONS			
P	LTR	DESCRIPTION	DATE	DWN	APVD		
AA21	ECR-17-001800		25FEB2017	LZ	RR		
AA22	ECR-17-002416		04MAY2017	IZ	RR		
AA23	ECR-17-008698		16JUN2017	IZ	RR		



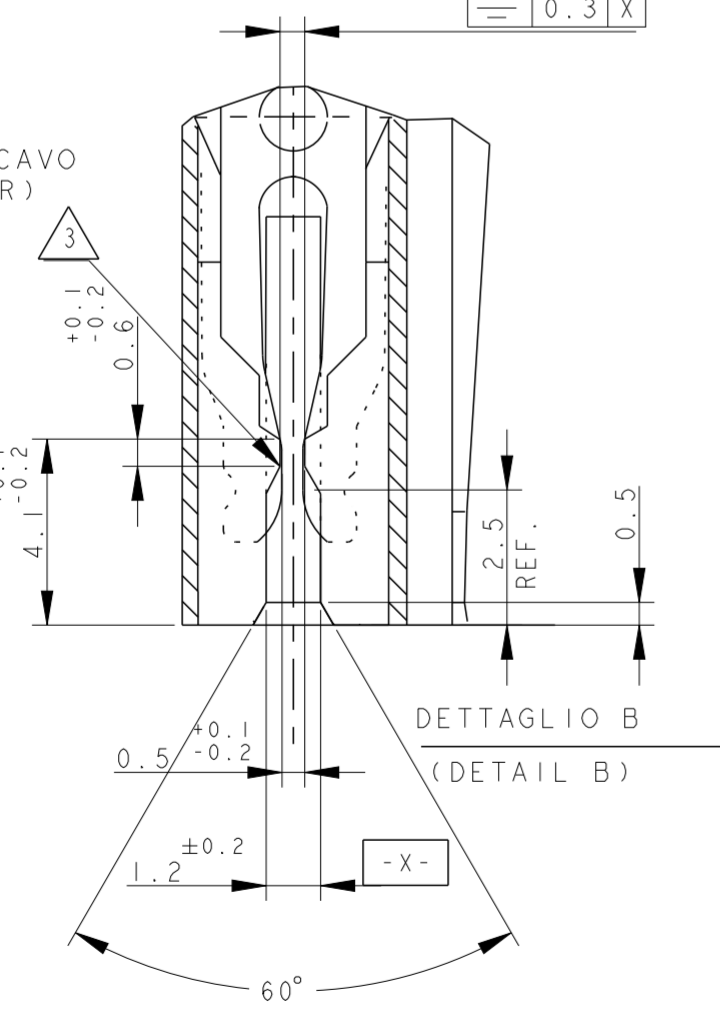
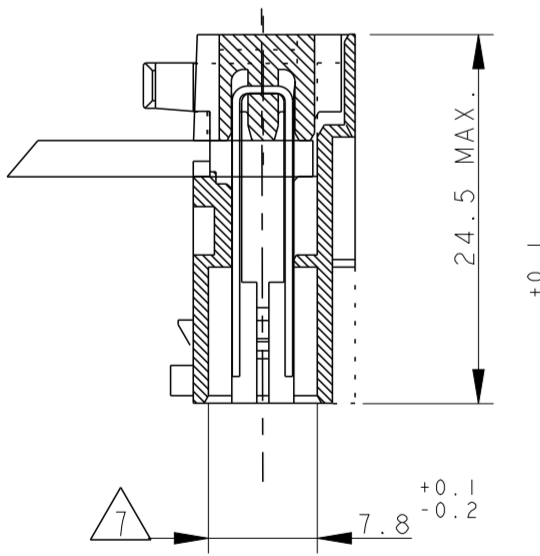
VISTE SOLO PER RIFERIMENTO
 VIEWS ONLY FOR REFERENCE



DETTAGLIO DEL CONTATTO, DIMENSIONI RIFERITE AL COMPONENTE INSERITO IN CAVITA' (ENLARGED VIEW OF TAB CONTACT DIM. REFERRED TO CONTACT INSERTED IN THE HOUSING CAVITY)



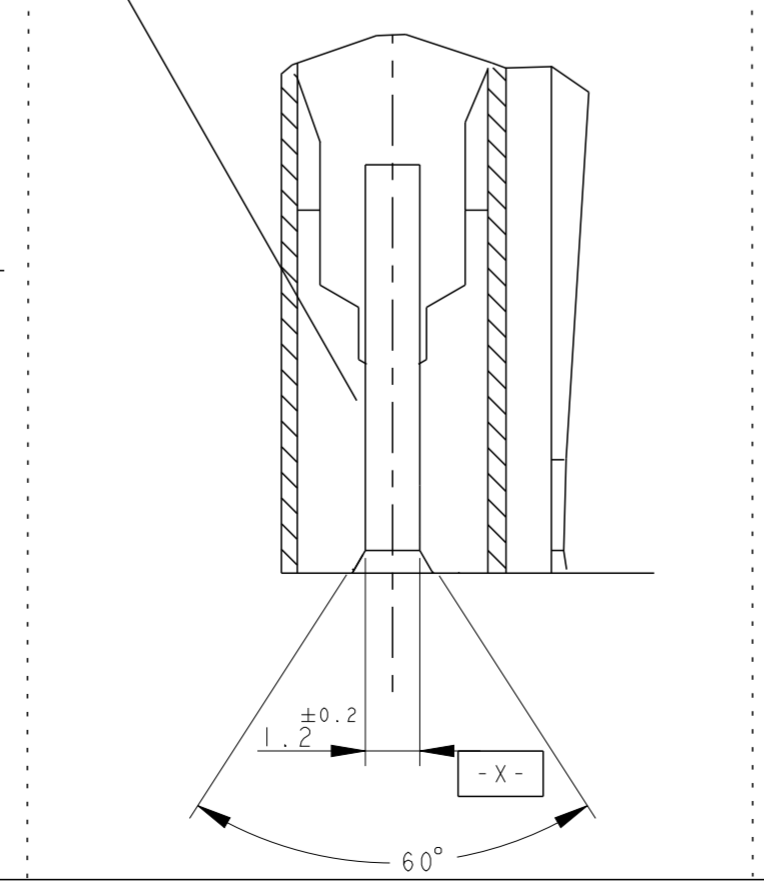
CONNETTORE COMPLETO DI CAVO (TERMINATED CONNECTOR)



DETAIL PN/s:
 1-282006-3
 2-282006-3
 3-282006-3

POLARIZATION KEYS (VIEW FROM "X")

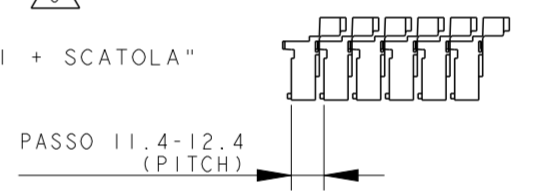
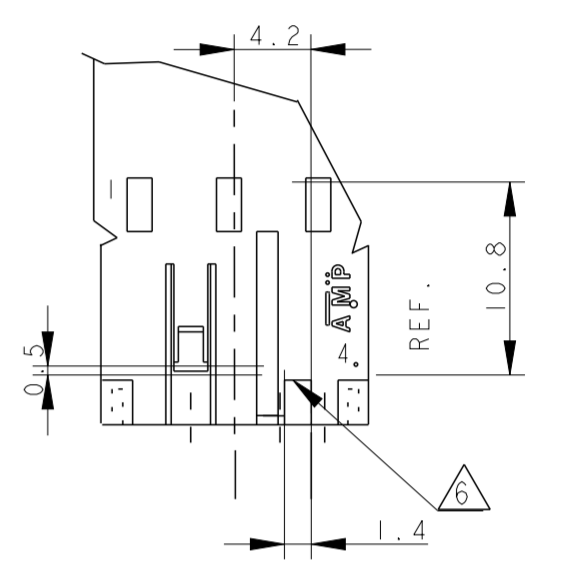
PN X-282002-8
 PN I-2293382-2
 (DETAIL "B" FOR CAVITY 1 & 2)



NOTE/NOTES:

- 1 NUMERI DI IDENTIFICAZIONE CAVITA' (CIRCUIT IDENTIFICATION)
- 2 MARCHIO DI FABBRICA LIBERA POSIZIONE (AMP LOGO FREE POSITION)
- 3 RETENTION TOOTH IS REQUESTED FOR THE 2 AND 3 POS. ONLY; IT IS LOCATED ON THE CAVITY N.1 ONLY, EXCEPTION MADE FOR PN X-282002-8 AND PN I-2293382-2 FOR THIS PN, CAVITY 1 IS WITHOUT RETENTION TOOTH AND HAS THE SAME DESIGN AS THE CAVITY N.2
- 4 PN NON ANCORA IN PRODUZIONE (PN NOT YET RELEASED FOR PRODUCTION)
- 5 PER QUESTI P/N LA POLARIZZAZIONE POSTERIORE DEVE INTENDERSI COMPLETA, A FINE BLOCCETTO. (per la rappresentazione vedere foglio 1/2) (FOR THE INDICATE P/N THE POLARIZATION MUST BE AT THE END OF CONNECTOR (see sheet 2 of 2)
- 6 CODIFICA CON DIFFERENTE DIMENSIONE. (CODIFICATION WITH DIFFERENT DIMENSION).
- 7 BECOMES 6.5 FOR BOTH CAVITIES ON THE 2 POS., ON CAVITY N.1 AND N.3 ON THE 3 POS. AND ON CAVITY N.1 ON THE 4 POS. CONNECTOR
- 8 INCLUDE LA POLARIZZAZIONE DOVE E' ESISTENTE (INCLUDING POLARIZATION KEY, WHEN EXISTING)
- 9 DETAIL FOR PN X-282002-8 AND PN I-2293382-2, SPECIAL VERSION, SEE ALSO NOTE 3
- 10 P/N NON RILASCIATO PER LA PRODUZIONE (P/N NOT YET RELEASED FOR PRODUCTION)
- 11 ---
- 12 GEOMETRIA ALTERNATIVA DEL DENTINO DI AGGANCIAMENTO VEDI NOTA 3 PER ALTRI DETTAGLI (ALTERNATIVE SHAPE FOR RETENTION TOOTH, SEE NOTE 3 FOR ADDITIONAL DETAILS)
- 13 STATO DI FORNITURA: CONFEZIONAMENTO IN "VASSOI + SCATOLA" (PACKAGING: "ON TRAY PLUS CARTON BOX")
- 14 CONFEZIONAMENTO IN BOBINA OBSOLETO (PACKAGING: ON REEL OBSOLETE)
- 15 OBSOLETE PARTS: OBSOLETE CIS STREAMLINING PER D.RENAUD/D.SINISI
- 16 THE DESIRED POLARIZATION CAN BE OBTAINED BY THE TERMINATION MACHINE

DETAIL FOR PN 0-282233-2 ONLY



ITEM	DENOMINAZIONE (DESCRIPTION)	FINITURA / COLORE (FINISH / COLOUR)	MATERIALE (MATERIAL)
2	BLOCCETTO (HOUSING)	NATURALE (NATURAL)	PA 6.6 CARICATO VETRO (POLIAMIDE 6.6 GLASSFIBER FILLED)
1	CONTATTO (CONTACT)	STAGNATO (TIN-PLATED)	OTTONE (BRASS)

THIS DRAWING IS A CONTROLLED DOCUMENT.

DIMENSIONS: mm	TOLERANCES UNLESS OTHERWISE SPECIFIED: 0.3	DWN G. ENDRIZZI 23JUL1995	CHK G. TURCO 23JUL1995	APVD G. TURCO 23JUL1995	NAME
MATERIAL: SEE TABLE	FINISH: SEE TABLE	108-20065-1, 108-20065-2 APPLICATION SPEC		114-20016, 114-20016-1	
Customer Drawing		WEIGHT: -	SIZE: A2	CAGE CODE: 0779	DRAWING NO: C-282002
RESTRICTED TO: -			SCALE: -	SHEET: 1 OF 5	REV: AA23

STE TE Connectivity
 MONO-SHAPE MK1
 TAB CONNECTORS 2-10 POS.

THIS DRAWING IS UNPUBLISHED. RELEASED FOR PUBLICATION
 © COPYRIGHT 2011 ALL RIGHTS RESERVED.

LOC	DIST	REVISIONS			
P	LTR	DESCRIPTION	DATE	DWN	APVD
-	-	SEE SHEET 1			

VISTE SOLO PER RIFERIMENTO
 VIEWS ONLY FOR REFERENCE

NUMERO DI VIE	CONFIGURAZIONE (Vista connettore dall'alto)	TE PART NUMBER ASSY CONN.				POSIZIONE POLARIZ. (LATO POSTERIORE)	POSIZIONE AGGANCI O (LATO ANTERIORE)	POSIZIONE CODIFICA SPECIALE (LATO ANTERIORE)	L (+0.2 / -0.3) (mm)	NOTE MARCHIATURA CON BANDA COLORATA	POSSIBILE RAST 5 POLARIZ.
		VERSIONE PEZZI IN VASSOIO	VERSIONE PEZZI SCIOLTI	POSIZIONE POLARIZ. (LATO POSTERIORE)	POSIZIONE AGGANCI O (LATO ANTERIORE)						
NO. OF POS.	CONFIGURATION (View from top side)	TRAY PACKAGING VERSION	PART REV.	LOOSE PIECES PACKAGING VERSION	PART REV.	POLARIZ. POSITION (BACK SIDE)	LOCKING POSITION (FRONT SIDE)	SPECIAL COD POSITION (FRONT SIDE)	L (+0.2 / -0.3) (mm)	NOTE STRIP COLOUR	
2		1-282002-1	V	2-282002-1	V	2S	1-2	-	9.9	NERO BLACK	02-C
2		1-282002-2	V	2-282002-2	V	1S 2D	1-2	-	9.9	GRIGIO GREY	02-B 02-E 02-F
2		1-282002-3	V	2-282002-3	V	2D	1-2	-	9.9	ROSSO RED	02-L
2		1-282002-4	V	2-282002-4	V	1D 2S	1-2	-	9.9	BLU BLUE	02-A
2		1-282002-5	V	2-282002-5	V	1D	1-2	-	9.9	NERO BLACK	02-O
2		1-282002-6	V	2-282002-6	V	-	1-2	-	9.9	NERO BLACK	-
2		1-282002-7	V	2-282002-7	V	-	1-2	-	9.9	-	OBSOLETE
2		1-282002-8	V	2-282002-8	V	1S 2D	1-2	-	9.9	VERDE GREEN	02-B 02-E 02-F
2		2-282002-9	I	-	-	1D 2D	1-2	-	9.9	-	-
2		3-282002-0	I	-	-	1S 1D	1-2	-	9.9	-	-
3		1-284396-1	Z	-	-	2S	2-3	-	14.9	NERO BLACK	-
3		1-282003-1	V	2-282003-1	V	1D	1-2	-	14.9	ARANCIO ORANGE	03-A 03-I
3		1-282003-2	V	2-282003-2	V	2D 3D	2-3	-	14.9	BLU BLUE	03-B
3		1-282003-3	V	2-282003-3	V	1S 3D	1-2	-	14.9	VERDE GREEN	03-F
3		0-282233-2	V	2-282233-2	V	1S	1-2	-	14.9	-	03-D
3		1-282003-4	V	2-282003-4	V	2D 3D	2-3	-	14.9	ROSSO RED	03-B
3		1-282003-5	V	2-282003-5	V	2D 3D	2-3	-	14.9	GRIGIO GREY	03-B
3		1-282003-6	V	2-282003-6	V	-	1-2	-	14.9	VIOLA VIOLET	-
3		1-282003-7	V	-	-	2D 3D	2-3	-	14.9	NERO BLACK	03-B
3		3-282003-3	I	-	-	1S 1D	1-2	-	14.9	-	-
3		3-282003-4	I	-	-	1S 2S 2D 3S	1-2	-	14.9	-	-
3		3-282003-5	I	-	-	1S 3D	2-3	-	14.9	-	-
3		3-282003-6	I	-	-	1S 1D 2S 2D	1-2	-	14.9	-	-
4		1-282004-1	V	2-282004-1	V	1D	1-2 3-4	2D	19.9	GRIGIO GREY	04-A
4		1-282004-2	V	2-282004-2	V	3D	2-3	-	19.9	NERO BLACK	04-D
4		1-282004-3	V	2-282004-3	V	1D	1-2 3-4	2D	19.9	ROSSO RED	04-A
4		1-282004-4	S	-	-	3D 4D	1-2 3-4	-	19.9	BLU BLUE	-

OBSOLETE

OBSOLETE

OBSOLETE

OBSOLETE

OBSOLETE

OBSOLETE

OBSOLETE

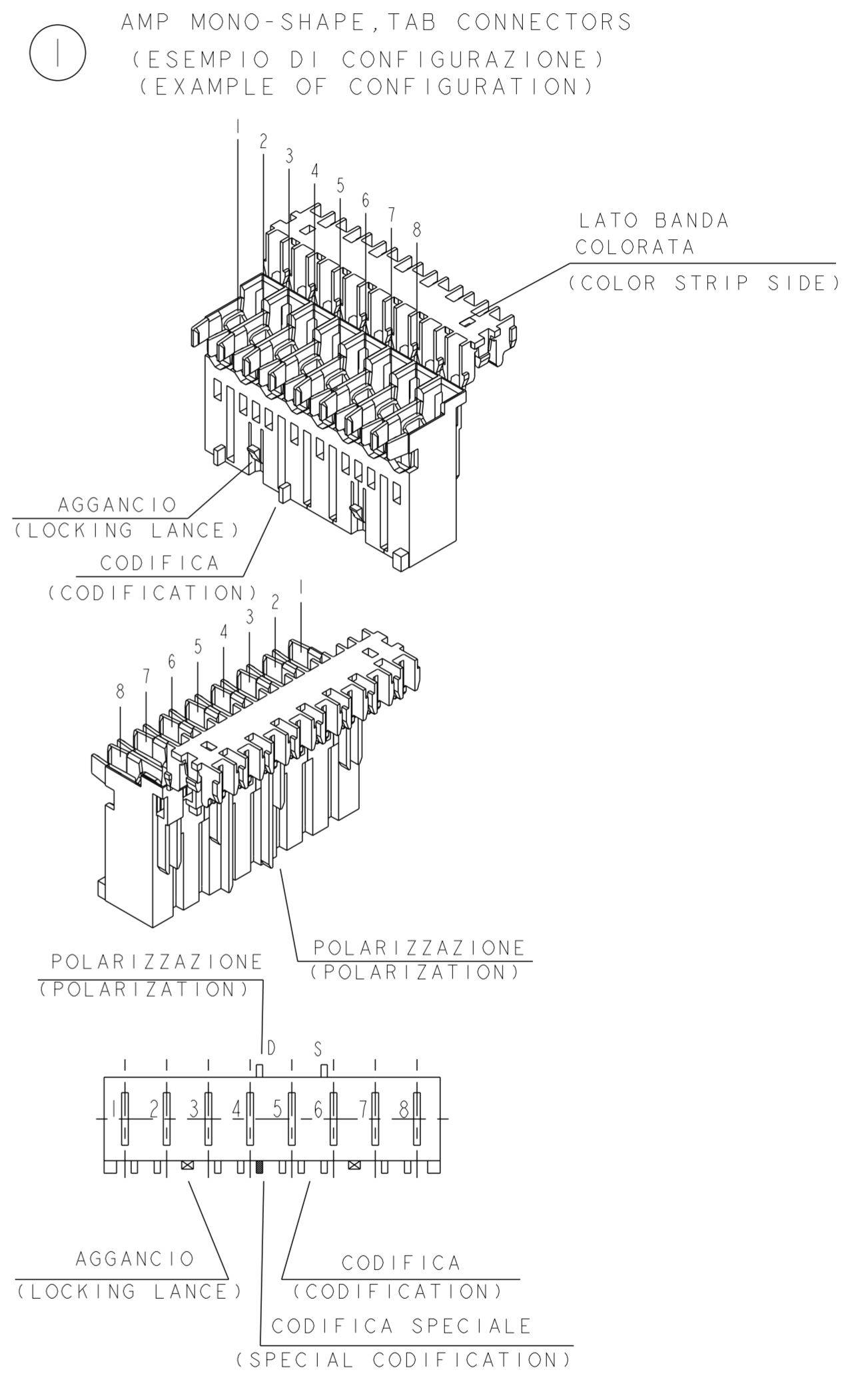
OBSOLETE

OBSOLETE

OBSOLETE

LEGENDA

(DESCRIPTION)



2		5-282002-2	I	-	-	1S, 2D	1-2	-	9.9	YELLOW	02-B 02-E 02-F
4		3-282004-4	AA	-	-	1S, 4D	1-2 3-4	-	19.9	-	-
4		4-282004-4	I	-	-	1S, 1D, 2S, 2D 3S, 3D, 4S, 4D AS, BD, CS, DD	1-2 3-4	-	19.9	-	-

THIS DRAWING IS A CONTROLLED DOCUMENT.

DWN G. ENDRIZZI 23 JUL 1995
 CHK G. TURCO 23 JUL 1995
 APVD G. TURCO 23 JUL 1995

STE TE Connectivity

MONO-SHAPE MK1
 TAB CONNECTORS 2-10 POS.

108-20065-1, 108-20065-2
 114-20016, 114-20016-1

SIZE CAGE CODE DRAWING NO RESTRICTED TO
 A200779 C-282002 -

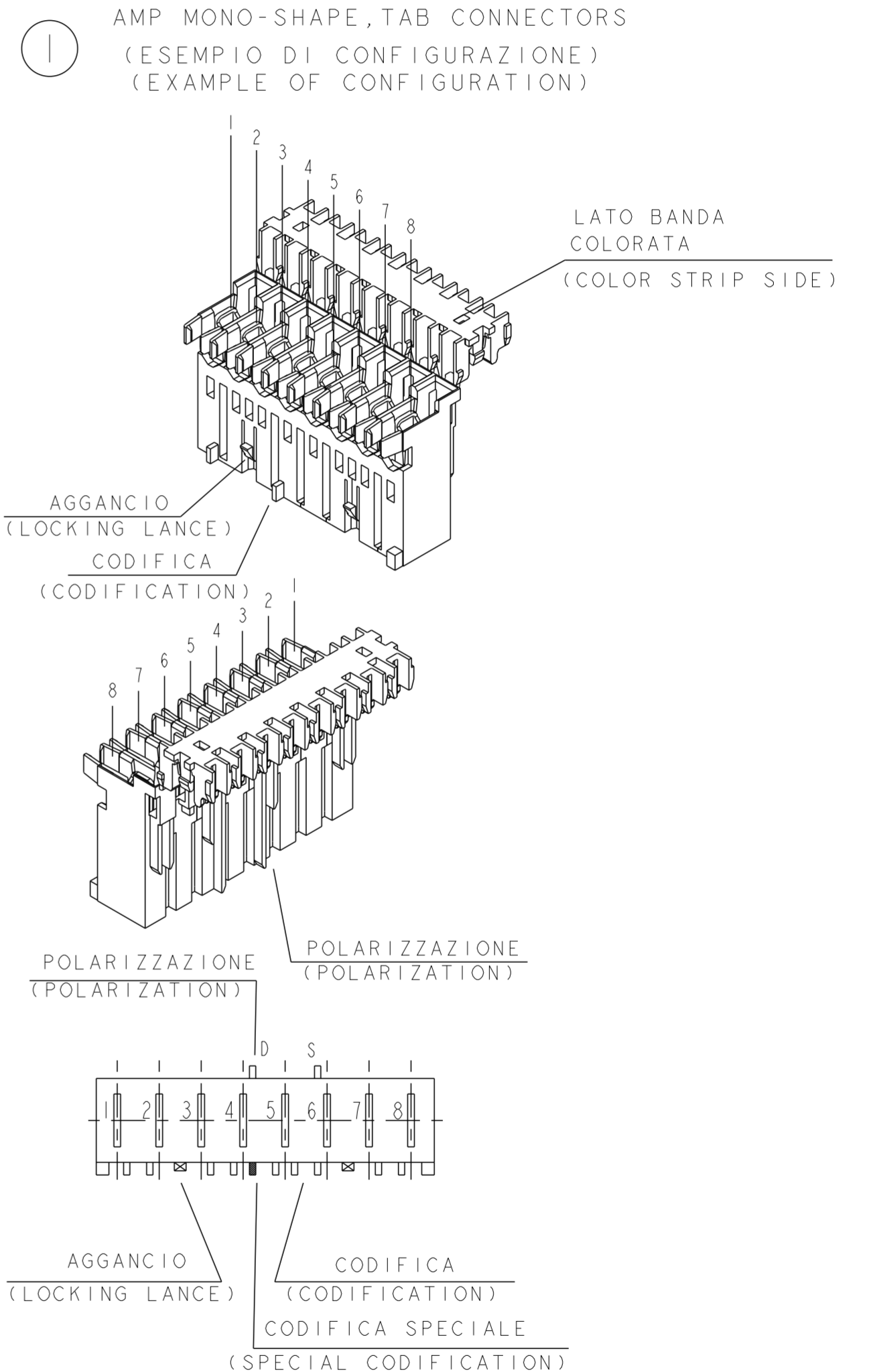
Customer Drawing SCALE - SHEET 2 OF 5 REV AA23

THIS DRAWING IS UNPUBLISHED. RELEASED FOR PUBLICATION
 © COPYRIGHT 2011 ALL RIGHTS RESERVED.

LOC	DIST	REVISIONS			
P	LTR	DESCRIPTION	DATE	DWN	APVD
-	-	SEE SHEET 1			

VISTE SOLO PER RIFERIMENTO
 VIEWS ONLY FOR REFERENCE

LEGENDA
 (DESCRIPTION)



TE PART NUMBER ASSY CONN.									
NUMERO DI VIE	CONFIGURAZIONE (Vista connettore dall'alto)	VERSIONE PEZZI IN VASSOIO	VERSIONE PEZZI SCIOLTI	POSIZIONE POLARIZ. (LATO POSTERIORE)	POSIZIONE AGGANCIO (LATO ANTERIORE)	POSIZIONE CODIFICA SPECIALE (LATO ANTERIORE)	L	NOTE MARCHIATURA CON BANDA COLORATA	POSSIBILE RAST 5 POLARIZ.
NO. OF POS.	CONFIGURATION (View from top side)	TRAY PACKAGING VERSION	LOOSE PIECES PACKAGING VERSION	POLARIZ. POSITION (BACK SIDE)	LOCKING POSITION (FRONT SIDE)	SPECIAL COD. POSITION (FRONT SIDE)	(mm)	NOTE STRIP COLOUR	
5		1-282005-1	V 2-282005-1	4D	4-5	-	+0.2 -0.3 24.9	ROSSO RED	-
5		1-284545-1	Z -	2S	4-5	-	+0.2 -0.3 24.9	ROSSO RED	-
5		1-293003-5	Z -	-	4-5	-	+0.2 -0.3 24.9	NERO BLACK	-
5		1-284545-2	A -	1S 5D	-	3D	+0.2 -0.3 24.9	-	-
5		1-284545-3	A -	1S 5D	1-2 3-4	-	+0.2 -0.3 24.9	BLU BLUE	-
6		1-282006-2	V 2-282006-2	2S 5D	2-3	-	+0.2 -0.3 29.9	VIOLA VIOLET	OBSOLETE
6		1-282006-3	V 2-282006-3	2S 3D 4D 5D	4-5	-	+0.2 -0.3 29.9	-	OBSOLETE
6		2-282006-4	V -	3D 5D	-	5S	+0.2 -0.3 29.9	NERO BLACK	-
6		1-284745-1	Z -	6D	4-5	-	+0.2 -0.3 29.9	ROSSO RED	-
7		1-282007-1	V 2-282007-1	1D 5D	1-2 5-6	3S	+0.2 -0.3 34.9	-	OBSOLETE
7		1-284397-1	Z -	2D	1-2 5-6	-	+0.2 -0.3 34.9	NERO BLACK	-
7		2-293004-7	I -	-	1-2 5-6	-	+0.2 -0.3 34.9	GRIGIO GREY	-
7		1-293004-7	Z -	-	1-2 5-6	-	+0.2 -0.3 34.9	ROSSO RED	-
7		2-282007-2	V -	4D 6D	-	6S	+0.2 -0.3 34.9	VIOLA VIOLET	-
7		2-282007-3	I -	1S 3S 5S 7S 2S 3D 4D 6D 7D	1-2 5-6	-	+0.2 -0.3 34.9	-	-
8		0-284085-1	V 2-284085-1	2D 4D 6D	-	4S	+0.2 -0.3 39.9	-	OBSOLETE
8		0-284085-2	V 2-284085-2	-	2-3	-	+0.2 -0.3 39.9	VIOLA VIOLET	OBSOLETE
10		1-282010-1	V 2-282010-1	6D 8S	4-5 8-9	6S	+0.2 -0.3 49.9	-	-
10		0-284004-1	V -	6D 8S	4-5 8-9	6S	+0.2 -0.3 49.9	-	-

6		1-284745-2	I -	6D	-	4D	29.9	RED	-
7		3-282007-2	AA -	-	1-2 5-6	5S	34.9	-	-

THIS DRAWING IS A CONTROLLED DOCUMENT.

DIMENSIONS: mm

TOLERANCES UNLESS OTHERWISE SPECIFIED:

0 PLC ±
 1 PLC ±
 2 PLC ±
 3 PLC ±
 4 PLC ±
 ANGLES ±

MATERIAL FINISH

SEE TABLE

DWN G. ENDRIZZI 23 JUL 1995
 CHK G. TURCO 23 JUL 1995
 APVD G. TURCO 23 JUL 1995

PRODUCT SPEC 108-20065-1, 108-20065-2
 APPLICATION SPEC 114-20016, 114-20016-1

WEIGHT --

Customer Drawing

SCALE -

SHEET 3 OF 5

REV AA23

MONO-SHAPE MK1
 TAB CONNECTORS 2-10 POS.

SIZE CAGE CODE DRAWING NO RESTRICTED TO

A20779 C-282002

4

3

2

1

THIS DRAWING IS UNPUBLISHED. RELEASED FOR PUBLICATION
 © COPYRIGHT 2011 ALL RIGHTS RESERVED.

LOC		DIST		REVISIONS			
P	LTR	DESCRIPTION	DATE	DWN	APVD		
-	-	SEE SHEET 1					

PA GF, UL-VO GWPT 750° C NO FLAME, NATURAL

No. of POS.	CONFIGURATION ONLY FOR REF	ON TRAY		LOOSE PIECES		SEE SHEET 1 FOR ADDITIONAL DETAILS AND NOTES					POSSIBLE PART 5 POLARIZ.	
		P/N ASS'Y	PART REV.	P/N ASS'Y	PART REV.	POLARIZ. POSITION (BACK SIDE)	LOCKING POSITION (FRONT SIDE)	SPECIAL CODIFICAT. POSITION (FRONT SIDE)	L (mm)	COLOR CODE		
2		2293382-2	AA			IS 2D	1-2	-	9.9		02-B 02-E 02-F	
2		1-2293382-2	AA			IS 2D	1-2		9.9	GREEN	02-B 02-E 02-F	
	2					ID 2D	1-2	-	9.9			
	2					ID 2S	1-2	-	9.9	BLUE	02-A	
	2					IS ID	1-2	-	9.9			
	3					2S	2-3	-	14.9			
	3					-	1-2	-	14.9	VIOLET	-	
	3					ID	1-2	-	14.9	ORANGE	03-A 03-1	
	3					IS ID	1-2	-	14.9			
	3					ID 2S 2D 3S	1-2	-	14.9			
	3					IS 3D	2-3	-	14.9			
	3					IS ID 2S 2D	1-2	-	14.9			
	3					IS 3D	1-2		14.9	GREEN	03-F	
	4					ID	1-2 3-4	2D	19.9	GREY	04-A	
	4					IS 4D	1-2 3-4	-	19.9			
	4					TBD	TBD	TBD	19.9			
	5					-	4-5	-	24.9			
	6					TBD	TBD	TBD	29.9			

THIS DRAWING IS A CONTROLLED DOCUMENT.		DWN G. ENDRIZZI 23 JUL 1995	TE Connectivity MONO-SHAPE MK1 TAB CONNECTORS 2-10 POS.
DIMENSIONS: mm		CHK G. TURCO 23 JUL 1995	
TOLERANCES UNLESS OTHERWISE SPECIFIED:		APVD G. TURCO 23 JUL 1995	
		NAME	
0 PLC ± 1 PLC ± 2 PLC ± 3 PLC ± 4 PLC ± ANGLES ±		PRODUCT SPEC 108-20065-1, 108-20065-2	RESTRICTED TO
MATERIAL SEE TABLE		FINISH SEE TABLE	APPLICATION SPEC 114-20016, 114-20016-1
		WEIGHT --	SIZE A20779
		Customer Drawing	DRAWING NO C-282002
		SCALE -	SHEET 4 OF 5
			REV AA23

1471-9 (3/11)

THIS DRAWING IS UNPUBLISHED. RELEASED FOR PUBLICATION
 © COPYRIGHT ALL RIGHTS RESERVED.

LOC		DIST		REVISIONS			
P	LTR	DESCRIPTION	DATE	DWN	APVD		

PA GF, UL-V0 GWEPT 750° C NO FLAME, NATURAL

No. of POS.	CONFIGURATION ONLY FOR REF	ON TRAY		LOOSE PIECES		SEE SHEET 1 FOR ADDITIONAL DETAILS AND NOTES					
		P/N ASS'Y	PART REV.	P/N ASS'Y	PART REV.	POLARIZ. POSITION (BACK SIDE)	LOCKING POSITION (FRONT SIDE)	SPECIAL CODIFICAT. POSITION (FRONT SIDE)	L (mm)	COLOR CODE	POSSIBLE RAST 5 POLARIZ.
7		2293382-7	1			-	1-2 5-6	-	34.9		
7		2-2293382-7	1			1S 2S 2D 3S 3D 4D 5S 6S 6D 7S 7D	1-2 5-6		34.9		
8		2293382-8	1			TBD	TBD	TBD	39.9		
9		2293382-9	1			TBD	TBD	TBD	44.9		
10		1-2293382-0	1			6D 8S	4-5 8-9	6S	49.9		

THIS DRAWING IS A CONTROLLED DOCUMENT.		DWN	TE Connectivity			
		CHK				
DIMENSIONS:		APVD	NAME			
		TOLERANCES UNLESS OTHERWISE SPECIFIED:		PRODUCT SPEC		
		0 PLC ±	1 PLC ±	APPLICATION SPEC		
MATERIAL		WEIGHT	SIZE	CAGE CODE	DRAWING NO	RESTRICTED TO
			A2	G-		
			SCALE	SHEET	OF	REV

Mouser Electronics

Authorized Distributor

Click to View Pricing, Inventory, Delivery & Lifecycle Information:

[TE Connectivity:](#)

[1-282002-8](#)