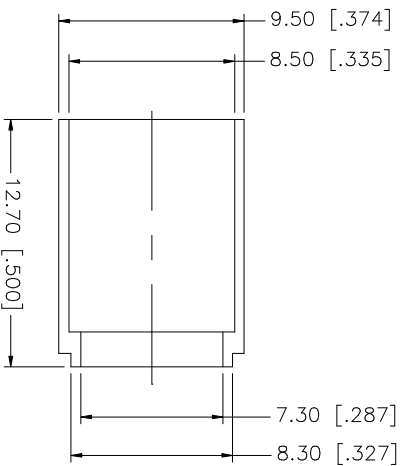
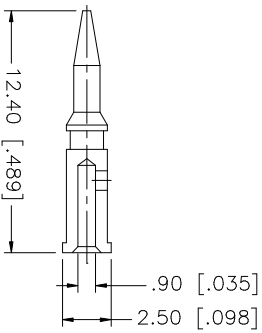
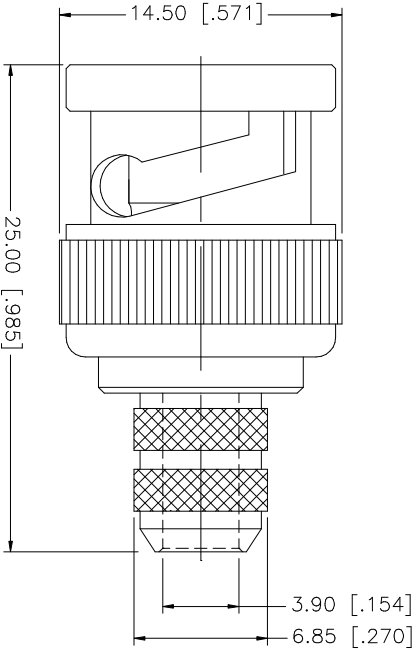
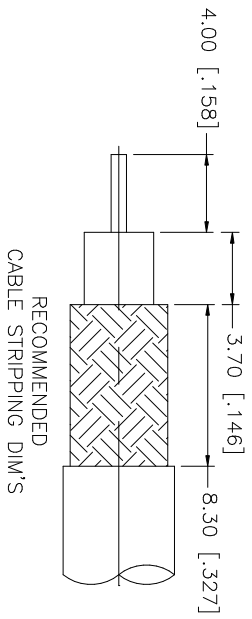


REV.	DATE	DESCRIPTION
A	05/31/00	MODIFY CONTACT PIN CRIMP NOTE
B	07/11/00	NMODIFY BARREL I.D. TO 3.9
C	07/25/05	UPDATE DRAWING FORMAT / PART DESCRIPTION



CRIMP NOTES:

1. CRIMPED FERRULE  
HEX CRIMP SIZE .324"
2. CRIMPED CONTACT PIN  
HEX CRIMP SIZE .068"

8	DESCRIPTION	MATERIAL	FINISH	QTY	UNLESS OTHERWISE SPECIFIED DIMENSIONS ARE IN INCHES AND FOR CUSTOMER REFERENCE ONLY. TOLERANCES FOR MILLING ARE: UNLESS OTHERWISE SPECIFIED 0.5 - 8mm ± 0.20mm 8 - 30mm ± 0.40mm 30 - 120mm ± 0.50mm UNLESS OTHERWISE SPECIFIED TOLERANCES FOR INCHES ARE: UNLESS OTHERWISE SPECIFIED .020 - .315 = ± 0.007" .315 - 1.180 = ± 0.015" 1.180 - 4.724 = ± 0.020"	DO NOT SCALE DRAWING	APPROVALS	DATE	PART DESCRIPTION		
7							DRAWN G.R.S.	07/25/05	<b>Amphenol Connex</b> PART DESCRIPTION BNC CRIMP PLUG (COMMSCOPE F59HEC-2, B 1186A, 59 DOUBLE BRAID TIMES FIBER 2248K, 2779V, 2240V, 2241V) PART NO. 112650		
6							CHECKED				
5							ISSUED				
4	FERRULE	COPPER	NICKEL	1			SHEET 1 OF 1				
3	CONTACT PIN	BRASS	GOLD	1							
2	INSULATOR	DELFIN	NATURAL	1							
1	BODY	BRASS	NICKEL	1							
	DESCRIPTION	MATERIAL	FINISH	QTY			CAD FILE C:/112/112650.DWG	DWG. NO. 112650.DWG	REV. C	SIZE A	SCALE NA