

80mm sq.

San Ace 80



General Specifications

- Material..... Frame: Aluminum,
Impeller:Plastics (Flammability: UL94V-1)
- Expected Life Refer to specifications (L10:Survival rate: 90% at 60°C ,
rated voltage,and continuously run in a free air state)
- Dielectric Strength 50/60Hz 1,500VAC 1minute (between input terminal and frame)
- Storage Temperature -30°C to +70°C (Non-condensing)
- Operating Voltage Range Voltage of each model ± 10%

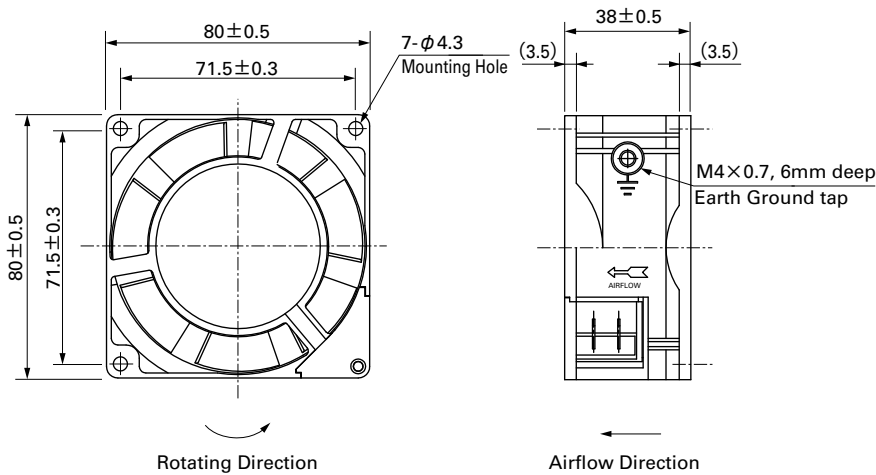
80×80×38mm [Mass : 400g]

Specifications

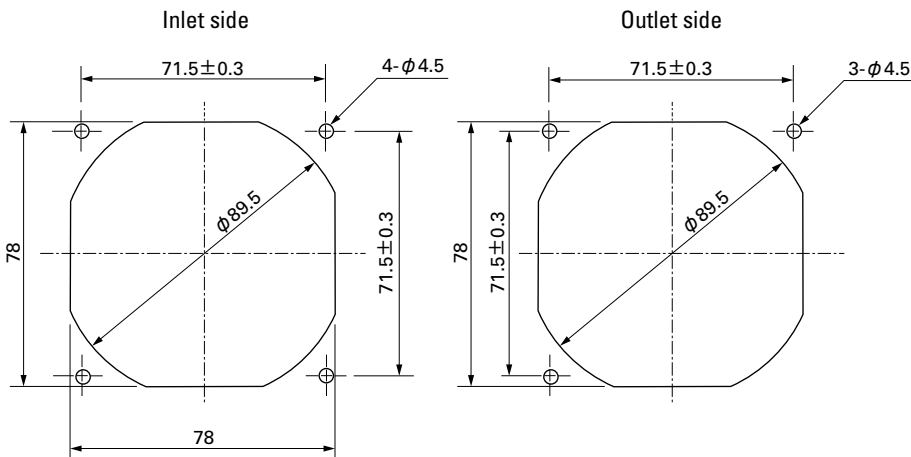
Model No.	Rated Voltage [V]	Frequency [Hz]	Input [W]	Current [A]	Locked Rotor Current [A]	Rated Speed [min ⁻¹]	Max. Airflow [m ³ /min] [CFM]	Max. Static Pressure [Pa] [inchHzO]	SPL [dB(A)]	Operating Temperature [°C]	Expected Life [h]
109-150	100	50/60	9/8	0.13/0.11	0.17/0.15	2,700/3,150	0.9/1.05 31.8/37.1	31.4/44.1 0.126/0.177	35/39	-30 to +60	25,000/60°C
109-153	115			0.11/0.1	0.14/0.12						
109-151	200			0.07/0.06	0.09/0.08						
109-154	230			0.06/0.05	0.08/0.07						

Set Models Fan, finger guard, plug cord, screws, etc. can be purchased in one package. For details, please refer to pp. 453 to 456.

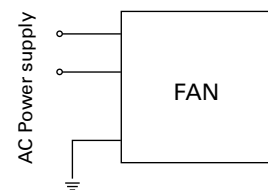
Dimensions (unit: mm)



Reference Dimensions of Mounting Holes and Vent Opening (unit: mm)



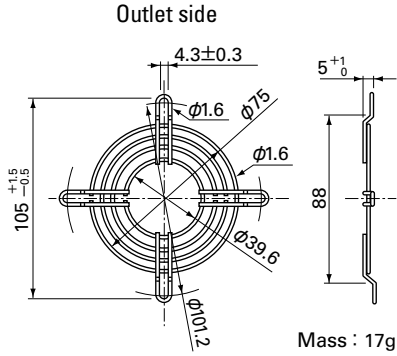
Wiring Diagram



Options (unit: mm)

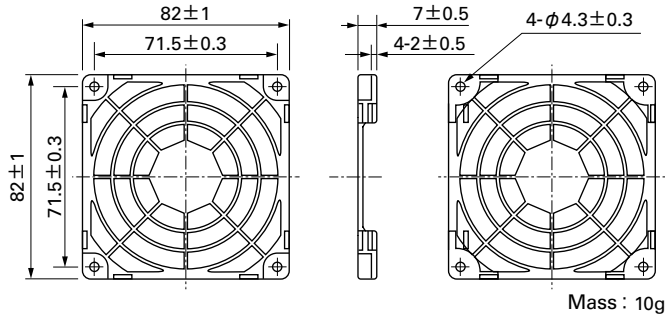
Finger Guards

Model : 109-049C Color : Nickel-chrome plating (silver)



Resin Finger Guards

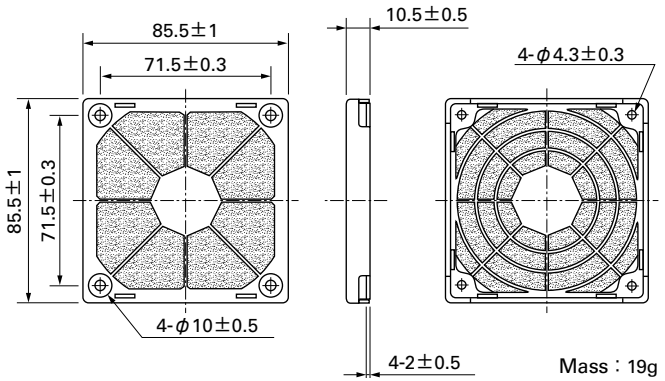
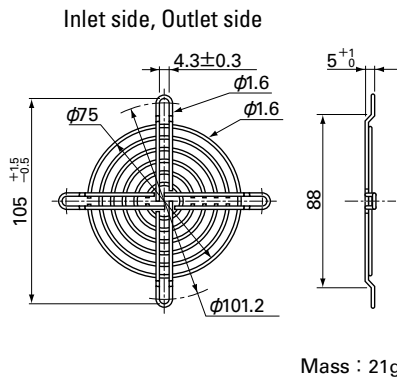
Model : 109-1002G



Model : 109-049E Color : Nickel-chrome plating (silver)
: 109-049H Color : Cation electropainting (black)

Resin Filter Kits

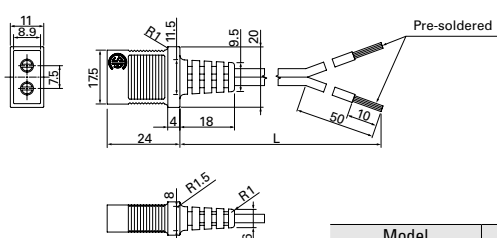
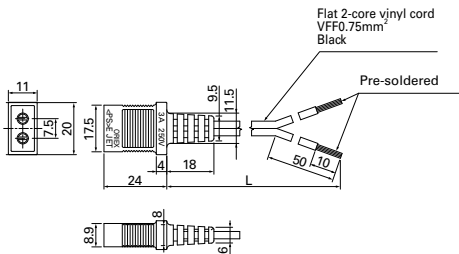
Model : 109-1002F13 (13PPI), 109-1002F20 (20PPI)
: 109-1002F30 (30PPI), 109-1002F40 (40PPI)



Plug Cord

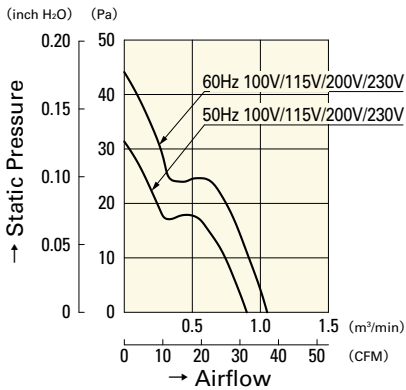
(Products compliant with Electrical Appliance and Material Safety Law)
Model : 489-016-L10/489-016-L21

(UL/CSA CERTIFIED)
UL FILE No.E50197 CSA FILE No.LR67048
Model : 489-047-L10/489-047-L21



Model	Power cord length (L) [mm]	Mass [g]
489-016-L10	1,000	34
489-016-L21	2,100	64
489-047-L10	1,000	38
489-047-L21	2,100	71

Airflow - Static Pressure Characteristics



109-150
109-153
109-151
109-154

Mouser Electronics

Authorized Distributor

Click to View Pricing, Inventory, Delivery & Lifecycle Information:

[Sanyo Denki:](#)

[109-150](#) [109-151](#) [109-154](#) [109-153](#)